

**ORACLE®**

Linux

## FIPS 140-2 Non-Proprietary Security Policy

---

### Oracle Linux 6 Libreswan Cryptographic Module

FIPS 140-2 Level 1 Validation

Software Version: R6-1.0.0

Date: September 24, 2018



**Title:** Oracle Linux 6 Libreswan Cryptographic Module Security Policy

September 24, 2018

**Author:** Atsec Information Security

**Contributing Authors:**

Oracle Linux Engineering

Oracle Security Evaluations – Global Product Security

Oracle Corporation

World Headquarters

500 Oracle Parkway

Redwood Shores, CA 94065

U.S.A.

Worldwide Inquiries:

Phone: +1.650.506.7000

Fax: +1.650.506.7200

oracle.com



Copyright © 2018, Oracle and/or its affiliates. All rights reserved. This document is provided for information purposes only and the contents hereof are subject to change without notice. This document is not warranted to be error-free, nor subject to any other warranties or conditions, whether expressed orally or implied in law, including implied warranties and conditions of merchantability or fitness for a particular purpose. Oracle specifically disclaim any liability with respect to this document and no contractual obligations are formed either directly or indirectly by this document. This document may reproduced or distributed whole and intact including this copyright notice.

Oracle and Java are registered trademarks of Oracle and/or its affiliates. Other names may be trademarks of their respective owners.

**Hardware and Software, Engineered to Work Together**



## TABLE OF CONTENTS

Section	Title	Page
<b>1.</b>	<b>Introduction</b>	<b>1</b>
1.1	Overview	1
1.2	Document Organization	1
<b>2.</b>	<b>Oracle Linux 6 Libreswan Cryptographic Module</b>	<b>2</b>
2.1	Functional Overview	2
2.2	FIPS 140-2 Validation Scope	2
<b>3.</b>	<b>Cryptographic Module Specification</b>	<b>3</b>
3.1	Definition of the Cryptographic Module	3
3.2	Definition of the Physical Cryptographic Boundary	4
3.3	Modes of Operation	4
3.4	Approved or Allowed Security Functions	4
3.5	Approved or Allowed Security Functions from bound modules	5
3.6	Non-Approved security functions from the bound NSS module	5
<b>4.</b>	<b>Module Ports and Interfaces</b>	<b>6</b>
<b>5.</b>	<b>Physical Security</b>	<b>6</b>
<b>6.</b>	<b>Operational Environment</b>	<b>7</b>
6.1	Tested Environments	7
6.2	Vendor Affirmed Environments	7
6.3	Operational Environment Policy	11
<b>7.</b>	<b>Roles, Services and Authentication</b>	<b>12</b>
7.1	Roles	12
7.2	FIPS Approved Operator Services and Descriptions	12
7.3	Authentication	13
<b>8.</b>	<b>Key and CSP Management</b>	<b>14</b>
8.1	Random Number Generation	15
8.2	Key/CSP Storage	15
8.3	Key/CSP Zeroization	15
<b>9.</b>	<b>Self-Tests</b>	<b>16</b>
9.1	Power-Up Self-Tests	16
9.2	Integrity Tests	16
9.3	Cryptographic Algorithm Tests	16
<b>10.</b>	<b>Crypto-Officer and User Guidance</b>	<b>17</b>
10.1	Crypto-Officer Guidance	17
10.1.1	Configuration Changes and FIPS Approved Mode	18
10.2	User Guidance	18
10.3	Handling Self-Test Errors	18
<b>11.</b>	<b>Mitigation of Other Attacks</b>	<b>19</b>
	<b>Acronyms, Terms and Abbreviations</b>	<b>20</b>
	<b>References</b>	<b>21</b>



## List of Tables

Table 1: FIPS 140-2 Security Requirements .....	2
Table 2: FIPS Approved or Allowed Security Functions.....	4
Table 3: Approved or Allowed Security Functions from bound modules .....	5
Table 4: Non-Approved Disallowed Functions.....	5
Table 5: Mapping of FIPS 140 Logical Interfaces to Logical Ports .....	6
Table 6: Tested Operating Environment.....	7
Table 7: Vendor Affirmed Operational Environments .....	11
Table 8: FIPS Approved Services.....	12
Table 9: Non-FIPS Approved Services .....	13
Table 10: CSP Table .....	14
Table 11: Acronyms.....	20

## List of Figures

Figure 1 – Oracle Linux 6 Libreswan Logical Cryptographic Boundary .....	3
Figure 2 – Oracle Linux 6 Libreswan Hardware Block Diagram .....	4



## 1. Introduction

### 1.1 Overview

This document is the Security Policy for the Oracle Linux 6 Libreswan Cryptographic Module by Oracle Corporation. It is also referred to as “the Module” or Module”. This Security Policy specifies the security rules under which the module shall operate to meet the requirements of FIPS 140-2 Level 1. It also describes how the Oracle Linux 6 Libreswan Cryptographic Module functions in order to meet the FIPS requirements, and the actions that operators must take to maintain the security of the module.

This Security Policy describes the features and design of the Oracle Linux 6 Libreswan Cryptographic Module using the terminology contained in the FIPS 140-2 specification. FIPS 140-2, Security Requirements for Cryptographic Module specifies the security requirements that will be satisfied by a cryptographic module utilized within a security system protecting sensitive but unclassified information. The NIST/CSE Cryptographic Module Validation Program (CMVP) validates cryptographic module to FIPS 140-2. Validated products are accepted by the Federal agencies of both the USA and Canada for the protection of sensitive or designated information.

### 1.2 Document Organization

The FIPS 140-2 Submission Package contains:

- Oracle Linux 6 Libreswan Cryptographic Module Non-Proprietary Security Policy
- Other supporting documentation as additional references

With the exception of this Non-Proprietary Security Policy, the FIPS 140-2 Validation Documentation is proprietary to Oracle and is releasable only under appropriate non-disclosure agreements. For access to these documents, please contact Oracle.



## 2. Oracle Linux 6 Libreswan Cryptographic Module

### 2.1 Functional Overview

The Oracle Linux 6 Libreswan Cryptographic Module is a framework for providing cryptographic services to other network entities implementing the IKEv1 and IKEv2 protocols.

The cryptographic module combines a vertical stack of Oracle Linux components, and the module intends to limit implementations, which are proved by each separate component, to the external interface.

Note: This security policy only covers the IKE protocol, which is a part from the IPSEC protocol family.

### 2.2 FIPS 140-2 Validation Scope

The following table shows the security level for each of the eleven sections of the validation.

Security Requirements Section	Level
Cryptographic Module Specification	1
Cryptographic Module Ports and Interfaces	1
Roles and Services and Authentication	1
Finite State Machine Model	1
Physical Security	N/A
Operational Environment	1
Cryptographic Key Management	1
EMI/EMC	1
Self-Tests	1
Design Assurance	3
Mitigation of Other Attacks	N/A

**Table 1: FIPS 140-2 Security Requirements**

### 3. Cryptographic Module Specification

#### 3.1 Definition of the Cryptographic Module

The Oracle Linux 6 Libreswan Cryptographic Module is defined as a software-only multi-chip standalone module as defined by the requirements within FIPS PUB 140-2. The components within the cryptographic boundary comprising the module are listed as follows:

- Pluto IKE Daemon and its HMAC file: This is provided as part of the Libreswan RPM file [3.15-7.5.0.1.el6\\_9.x86\\_64](#).
- Fipscheck library with its HMAC file and Fipscheck application with its HMAC file: This is provided as part of the Fipscheck RPM package (version [1.2.0-7.el6.x86\\_64](#)). Fipscheck performs the integrity validation of itself along with the IKE Daemon binary and supporting applications.

The following components which act as bound modules need to be installed for the Oracle Linux 6 Libreswan Cryptographic Module to operate:

- The bound module Oracle Linux 6 NSS Cryptographic Module with FIPS 140-2 Certificate #[3111](#) (hereafter referred to as the “NSS module”) provides cryptographic algorithms used by the IKE Daemon. The IKE Daemon uses the NSS module in accordance with the Security Rules stated in the NSS Cryptographic Library Security Policy.
- The bound module Oracle Linux OpenSSL Library with FIPS 140-2 Certificate #[3017](#) (hereafter referred to as the “OpenSSL module”) provides HMAC SHA-256 algorithm required by fipscheck application and library for integrity check.

Figure 1 shows the logical block diagram of the module executing in memory on the host system.

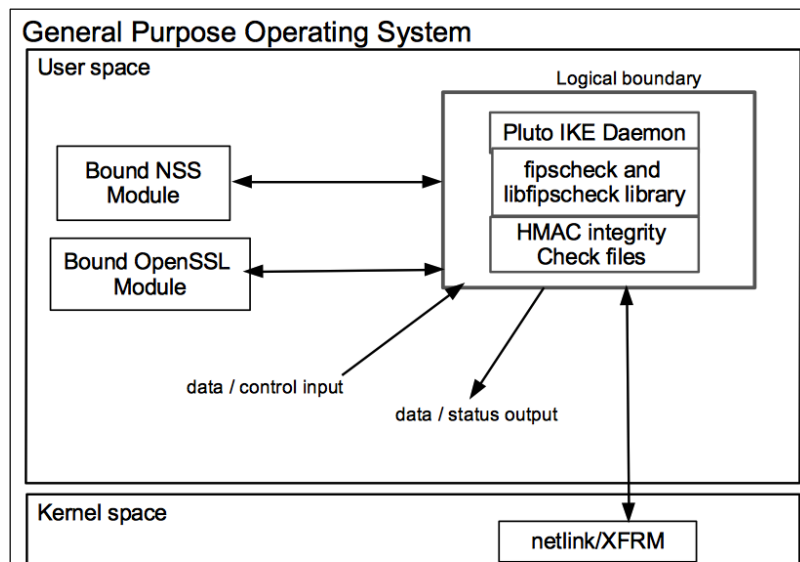


Figure 1 – Oracle Linux 6 Libreswan Logical Cryptographic Boundary

### 3.2 Definition of the Physical Cryptographic Boundary

The physical cryptographic boundary is defined as the hard enclosure of the host system on which it runs. See Figure below. No components are excluded from the requirements of FIPS PUB 140-2.

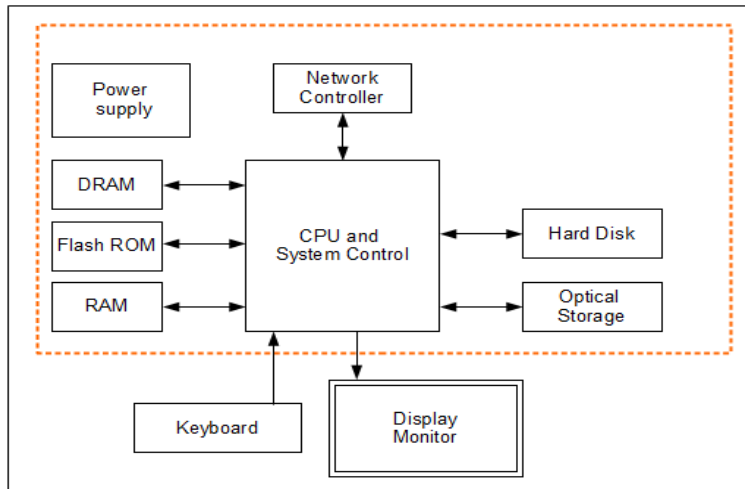


Figure 2 – Oracle Linux 6 Libreswan Hardware Block Diagram

### 3.3 Modes of Operation

The Module supports two modes of operation: FIPS Approved mode and non-Approved mode. The mode of operation is implicitly assumed depending on the services/security functions invoked. The Module turns to the FIPS approved mode after power-on self-tests succeed. The services available in FIPS mode can be found in section 7.2, Table 8.

### 3.4 Approved or Allowed Security Functions

The Oracle Linux 6 Libreswan Cryptographic Module contains the following FIPS Approved algorithms:

Approved or Allowed Security Functions		Certificate
<b>Key Derivation (NIST SP 800-135 Section 4.1.1 for IKE V1 and Section 4.1.2 for IKE V2)</b>		
IKE	<b>IKEv1</b> ( AUTH( DSA , PSK ) ( 224 (SHA 1 , 256 , 384 , 512 ) ) ( 8192 (SHA 1, 256, 384, 512))); (2048 (SHA 1, 256, 384, 512 ) ) <b>IKEv2</b> ( ( 224 (SHA 1, 256, 384, 512 ) ) ( 8192 (SHA 1, 256, 384, 512 ) ) ( 2048 (SHA 1, 256, 384, 512 ) ) )	CVL <a href="#">1427</a> CVL <a href="#">2081</a>

Table 2: FIPS Approved or Allowed Security Functions

The Libreswan and the bound NSS module together provide the Diffie Hellman and EC Diffie Hellman key agreement. The Libreswan module only implements the KDF portion of the key agreement as stated in the above table and the bound NSS module provides the shared secret computation as stated in the below table.

- Diffie-Hellman (CVL Cert. #1417 and #1924 with CVL cert. #1427 and #2081, key agreement; key establishment methodology provides between 112 and 256 bits of encryption strength);
- EC Diffie-Hellman (CVL Cert. #1417 and #1924 with CVL cert. #1427 and #2081, key agreement; key establishment methodology provides between 112 and 256 bits of encryption strength);



### 3.5 Approved or Allowed Security Functions from bound modules

The following table shows Approved or allowed security functions from the bound module:

Algorithm	Certificates <sup>1</sup>
<b>Provided by Bound NSS Module</b>	
AES CBC, CTR (128,192,256)	<a href="#">4773</a> , <a href="#">4774</a> , <a href="#">5472</a> , <a href="#">5469</a>
Triple-DES CBC	<a href="#">2536</a> , <a href="#">2755</a>
ECDSA Key generation: P-256, P-384, P-521	<a href="#">1199</a> , <a href="#">1464</a>
DSA Key Generation (2048,224), (2048,256), (3072,256)	<a href="#">1285</a> , <a href="#">1407</a>
RSA Signature Generation: 2048,3072; Signature verification: 1024, 2048,3072	<a href="#">2615</a> , <a href="#">2640</a> , <a href="#">2939</a>
SHA-1, SHA-256, SHA-384, SHA-512	<a href="#">3918</a> , <a href="#">4391</a>
HMAC (SHA-1, SHA-256, SHA-384, SHA-512)	<a href="#">3184</a> , <a href="#">3628</a>
DRBG Hash_DRBG (SHA-256)	<a href="#">1652</a> , <a href="#">2151</a>
RSA Key Wrapping key size between 2048 bits and 15360 bits or more; key establishment methodology provides between 112 and 256 bits of encryption strength	Allowed
Diffie-Hellman Shared Secret Computation (Ephem: FB, FC)	CVL <a href="#">1417</a> , <a href="#">1924</a>
Diffie-Hellman Shared Secret Computation with keys greater than 2048 bits	Allowed
EC Diffie-Hellman Shared Secret Computation (FullUnified: EC: P-256, ED: P-384, EE: P-521)	CVL <a href="#">1417</a> , <a href="#">1924</a>
NDRNG	Allowed
<b>Provided by Bound OpenSSL Module</b>	
HMAC-SHA-256 (for integrity check only)	<a href="#">2993</a> , <a href="#">2995</a> , <a href="#">3549</a> , <a href="#">3550</a>

**Table 3: Approved or Allowed Security Functions from bound modules**

### 3.6 Non-Approved security functions from the bound NSS module

The use of following non-Approved algorithms will put the module in non-approved mode implicitly:

Algorithm	Usage
AES GCM	Encryption/decryption
RSA	Signature generation with key size < 2048 bits and verification with key size < 1024 bits
Diffie-Hellman	shared secret computation with key sizes less than 2048 bits
RSA key wrapping	with keys, less than 2048 bits
MD5	Hashing used as part of HMAC PRF

**Table 4: Non-Approved Disallowed Functions**

<sup>1</sup> The CAVS certificates from the bound modules include additional modes and key sizes for the respective algorithms but only a subset of it that is listed in Table 3 is used by the Libreswan module.

## 4. Module Ports and Interfaces

The module FIPS 140 interfaces can be categorized as follows:

- Data Input Interface
- Data Output Interface
- Control Input interface
- Status Output Interface

As a software-only module, the module does not have physical ports. For the purpose of the FIPS 140-2 validation, the physical ports are interpreted to be the physical ports of the hardware platform on which it runs.

Table below shows a mapping of FIPS 140 interfaces to logical ports:

FIPS 140 Interface	Physical Port	Module Interfaces
Data Input	Ethernet Ports	IKE Network Port/Protocol, NSS Key Database file stored in /etc/ipsec.d/
Data Output	Ethernet Ports	IKE Network Port/Protocol, Linux Kernel (netlink/XFRM Interface)
Control Input	Management Ethernet Port, USB for Keyboard/Mouse, Serial Port	IKE Network Port/Protocol, Configuration Files (/etc/ipsec.conf, /etc/ipsec.d/, /etc/ipsec.secrets), Linux Kernel (netlink/XFRM Interface), command line
Status Output	Management Ethernet Port, Serial Port	Log File, IKE Network Port/Protocol

**Table 5: Mapping of FIPS 140 Logical Interfaces to Logical Ports**

## 5. Physical Security

The Module is comprised of software only and thus does not claim any physical security.



## 6. Operational Environment

### 6.1 Tested Environments

The module operates in a modifiable operational environment per FIPS 140-2 level 1 specifications. The Module was tested on the following environments with and without PAA:

Operating Environment	Processor	Hardware
Oracle Linux 6.9 64 bit	Intel® Xeon® CPU E5-2699 v4	Oracle Server X6-2
Oracle Linux 6.9 64-bit	Intel® Xeon® Silver 4114	Oracle Server X7-2

**Table 6: Tested Operating Environment**

### 6.2 Vendor Affirmed Environments

The following platforms have not been tested as part of the FIPS 140-2 level 1 certification however Oracle “vendor affirms” that these platforms are equivalent to the tested and validated platforms. Additionally, Oracle affirms that the module will function the same way and provide the same security services on any of the systems listed below.

Operating Environment	Processor	Hardware
Oracle Linux 6.9 64-bit	Intel® Xeon® E5-2600 v3 & v4	Cisco UCS B200 M4
Oracle Linux 6.9 64-bit	Intel® Xeon® E7-2800/E7-8800 v3	Cisco UCS B260 M4
Oracle Linux 6.9 64-bit	Intel® Xeon® Scalable Processors	Cisco UCS B200 M5
Oracle Linux 6.9 64-bit	Intel® Xeon® E5-4600/E5-4600 v2	Cisco UCS B420 M3
Oracle Linux 6.9 64-bit	Intel® Xeon® E5-4600 v3 & v4	Cisco UCS B420 M4
Oracle Linux 6.9 64-bit	Intel® Xeon® E7-2800 v2/E7-4800 v2/E7-8800 v2/E7-4800 v3/E7-8800 v3	Cisco UCS B460 M4
Oracle Linux 6.9 64-bit	Intel® Xeon® Scalable Processors	Cisco UCS B480 M5
Oracle Linux 6.9 64-bit	Intel® Xeon® E5-2400/E5-2400 v2	Cisco UCS C22 M3
Oracle Linux 6.9 64-bit	Intel® Xeon® E5-2600/E5-2600 v2	Cisco UCS C220 M3
Oracle Linux 6.9 64-bit	Intel® Xeon® E5-2600 v3 & v4	Cisco UCS C220 M4
Oracle Linux 6.9 64-bit	Intel® Xeon® Scalable Processors	Cisco UCS B480 M5
Oracle Linux 6.9 64-bit	Intel® Xeon® E5-2400/E5-2400 v2	Cisco UCS C24 M3
Oracle Linux 6.9 64-bit	Intel® Xeon® E5-2600/E5-2600 v2	Cisco UCS C240 M3
Oracle Linux 6.9 64-bit	Intel® Xeon® E5-2600 v3 & v4	Cisco UCS C240 M4
Oracle Linux 6.9 64-bit	Intel® Xeon® Scalable Processors	Cisco UCS C240 M5
Oracle Linux 6.9 64-bit	Intel® Xeon® E7-2800 v2/E7-4800 v2, v3 & v4/E7-8800 v2 & v4	Cisco UCS C460 M4
Oracle Linux 6.9 64-bit	Intel® Xeon® Scalable Processors	Cisco UCS C480 M5
Oracle Linux 6.9 64-bit	Intel® Xeon® E5-2600 v3	Dell PowerEdge FC630
Oracle Linux 6.9 64-bit	Intel® Xeon® E5-4600 v3	Dell PowerEdge FC830
Oracle Linux 6.9 64-bit	Intel® Xeon® E5-2600 v3	Dell PowerEdge M630 Blade
Oracle Linux 6.9 64-bit	Intel® Xeon® E5-4600 v4	Dell PowerEdge M830 Blade
Oracle Linux 6.9 64-bit	Intel® Xeon® E5-2600 v3	Dell PowerEdge R630
Oracle Linux 6.9 64-bit	Intel® Xeon® E5-2600 v3	Dell PowerEdge R730
Oracle Linux 6.9 64-bit	Intel® Xeon® E5-2600 v3	Dell PowerEdge R730xd
Oracle Linux 6.9 64-bit	Intel® Xeon® E7-4800 v4	Dell PowerEdge R930

Operating Environment	Processor	Hardware
Oracle Linux 6.9 64-bit	Intel® Xeon® E5-2600 v3	Dell PowerEdge T630
Oracle Linux 6.9 64-bit	Intel® Xeon® E7-4800 v2/E7-8800 v2	Fujitsu PRIMEQUEST 2400E
Oracle Linux 6.9 64-bit	Intel® Xeon® E7-8800 v3	Fujitsu PRIMEQUEST 2400E2
Oracle Linux 6.9 64-bit	Intel® Xeon® E7-8800 v4	Fujitsu PRIMEQUEST 2400E3
Oracle Linux 6.9 64-bit	Intel® Xeon® E7-4800 v2	Fujitsu PRIMEQUEST2400L
Oracle Linux 6.9 64-bit	Intel® Xeon® E7-8800 v3	Fujitsu PRIMEQUEST2400L2
Oracle Linux 6.9 64-bit	Intel® Xeon® E7-8800 v4	Fujitsu PRIMEQUEST 2400L3
Oracle Linux 6.9 64-bit	Intel® Xeon® E7-4800 v2	Fujitsu PRIMEQUEST 2400S
Oracle Linux 6.9 64-bit	Intel® Xeon® E7-4800 v2	Fujitsu PRIMEQUEST 2400S Lite
Oracle Linux 6.9 64-bit	Intel® Xeon® E7-8800 v3	Fujitsu PRIMEQUEST 2400S2
Oracle Linux 6.9 64-bit	Intel® Xeon® E7-8800 v3	Fujitsu PRIMEQUEST 2400S2 Lite
Oracle Linux 6.9 64-bit	Intel® Xeon® E7-8800 v4	Fujitsu PRIMEQUEST 2400S3
Oracle Linux 6.9 64-bit	Intel® Xeon® E7-8800 v4	Fujitsu PRIMEQUEST 2400S3 Lite
Oracle Linux 6.9 64-bit	Intel® Xeon® E7-8800 v2	Fujitsu PRIMEQUEST 2800B
Oracle Linux 6.9 64-bit	Intel® Xeon® E7-8800 v3	Fujitsu PRIMEQUEST 2800B2
Oracle Linux 6.9 64-bit	Intel® Xeon® E7-8800 v4	Fujitsu PRIMEQUEST 2800B3
Oracle Linux 6.9 64-bit	Intel® Xeon® E7-8800 v2	Fujitsu PRIMEQUEST 2800E
Oracle Linux 6.9 64-bit	Intel® Xeon® E7-8800 v3	Fujitsu PRIMEQUEST 2800E2
Oracle Linux 6.9 64-bit	Intel® Xeon® E7-8800 v4	Fujitsu PRIMEQUEST 2800E3
Oracle Linux 6.9 64-bit	Intel® Xeon® E7-8800 v2	Fujitsu PRIMEQUEST 2800L
Oracle Linux 6.9 64-bit	Intel® Xeon® E7-8800 v3	Fujitsu PRIMEQUEST 2800L2
Oracle Linux 6.9 64-bit	Intel® Xeon® E7-8800 v4	Fujitsu PRIMEQUEST 2800L3
Oracle Linux 6.9 64-bit	Intel® Xeon® E5-2600 v3	Fujitsu PRIMERGY BX2580 M1
Oracle Linux 6.9 64-bit	Intel® Xeon® E5-2600 v4	Fujitsu PRIMERGY BX2580 M2
Oracle Linux 6.9 64-bit	Intel® Xeon® Scalable Processors	Fujitsu PRIMERGY CX2560 M4
Oracle Linux 6.9 64-bit	Intel® Xeon® E5-2600 v3	Fujitsu PRIMERGY RX2530 M1
Oracle Linux 6.9 64-bit	Intel® Xeon® E5-2600 v4	Fujitsu PRIMERGY RX2530 M2
Oracle Linux 6.9 64-bit	Intel® Xeon® Scalable Processors	Fujitsu PRIMERGY RX2530 M4
Oracle Linux 6.9 64-bit	Intel® Xeon® E5-2600 v3	Fujitsu PRIMERGY RX2540 M1
Oracle Linux 6.9 64-bit	Intel® Xeon® E5-2600 v4	Fujitsu PRIMERGY RX2540 M2
Oracle Linux 6.9 64-bit	Intel® Xeon® Scalable Processors	Fujitsu PRIMERGY RX2540 M4
Oracle Linux 6.9 64-bit	Intel® Xeon® E7-4800 v2/E7-8800 v2	Fujitsu PRIMERGY RX4770 M1
Oracle Linux 6.9 64-bit	Intel® Xeon® E7-4800 v3/E7-8800 v3	Fujitsu PRIMERGY RX4770 M2
Oracle Linux 6.9 64-bit	Intel® Xeon® E7-4800 v4/E7-8800 v4	Fujitsu PRIMERGY RX4770 M3
Oracle Linux 6.9 64-bit	Intel® Xeon® Scalable Processors	Fujitsu PRIMERGY RX4770 M4
Oracle Linux 6.9 64-bit	Intel® Xeon® E5-2600 v3	Hitachi BladeSymphony BS2500 HCOA1
Oracle Linux 6.9 64-bit	Intel® Xeon® E5-2600 v4	Hitachi BladeSymphony BS2500 HEOA2
Oracle Linux 6.9 64-bit	Intel® Xeon® E7-4800 v3/E7-8800 v3	Hitachi BladeSymphony BS2500 HEOE2
Oracle Linux 6.9 64-bit	Intel® Xeon® E5-2600 v3	Hitachi BladeSymphony BS500 BS520H B3
Oracle Linux 6.9 64-bit	Intel® Xeon® E7-4800 v3/E7-8800 v3	Hitachi BladeSymphony BS500 BS520X B2

Operating Environment	Processor	Hardware
Oracle Linux 6.9 64-bit	Intel® Xeon® E5-2600 v3	Hitachi Compute Blade 2500 CB520H B3
Oracle Linux 6.9 64-bit	Intel® Xeon® E5-2600 v4	Hitachi Compute Blade 2500 CB520H B4
Oracle Linux 6.9 64-bit	Intel® Xeon® E7-8800 v2	Hitachi Compute Blade 2500 CB520X B2
Oracle Linux 6.9 64-bit	Intel® Xeon® E7-8800 v3	Hitachi Compute Blade 2500 CB520X B3
Oracle Linux 6.9 64-bit	Intel® Xeon® E5-2600 v3	Hitachi Compute Blade 500 CB520H B3
Oracle Linux 6.9 64-bit	Intel® Xeon® E7-8800 v2	Hitachi Compute Blade 500 CB520X B2
Oracle Linux 6.9 64-bit	Intel® Xeon® E5-2600 v4	Hitachi HA8000 RS210 AN2
Oracle Linux 6.9 64-bit	Intel® Xeon® E5-2600 v4	Hitachi HA8000 RS220 AN2
Oracle Linux 6.9 64-bit	Intel® Xeon® E5-2600 v4	Hitachi QuantaGrid D51B-2U
Oracle Linux 6.9 64-bit	Intel® Xeon® E5-2600 v3 & v4	Hitachi QuantaPlex T41S-2U
Oracle Linux 6.9 64-bit	Intel® Xeon® E5-2600 v2	HPE ProLiant BL460c Gen8
Oracle Linux 6.9 64-bit	Intel® Xeon® E5-2600 v3	HPE ProLiant BL460c Gen9
Oracle Linux 6.9 64-bit	AMD Opteron 6300-series	HPE ProLiant BL465c Gen8
Oracle Linux 6.9 64-bit	Intel® Xeon® E5-4600 v2	HPE ProLiant BL660c Gen8
Oracle Linux 6.9 64-bit	Intel® Xeon® E5-4600 v3	HPE ProLiant BL660c Gen9
Oracle Linux 6.9 64-bit	Intel® Xeon® E5-2600 v3 & v4	HPE ProLiant DL120 Gen9
Oracle Linux 6.9 64-bit	Intel® Xeon® E5-2600 v3 & v4	HPE ProLiant DL180 Gen9
Oracle Linux 6.9 64-bit	Intel® Pentium® G2120 & Intel® Xeon® E3-1200 v2	HPE ProLiant DL320e Gen8
Oracle Linux 6.9 64-bit	Intel® Pentium® G3200-series/G3420, Core i3-4100-series/Intel® Xeon® E3-12 v3	HPE ProLiant DL320e Gen8 v2
Oracle Linux 6.9 64-bit	Intel® Xeon® E5-2600 v3 & v4	HPE ProLiant DL360 Gen9
Oracle Linux 6.9 64-bit	Intel® Xeon® Scalable 8100/6100/5100/4100/3100 Processors	HPE ProLiant DL360 Gen10
Oracle Linux 6.9 64-bit	Intel® Xeon® E5-2400/E5-2400 v2	HPE ProLiant DL360e Gen8
Oracle Linux 6.9 64-bit	Intel® Xeon® E5-2600 v3 & v4	HPE ProLiant DL360p Gen8
Oracle Linux 6.9 64-bit	Intel® Xeon® E5-2600 v3 & v4	HPE ProLiant DL380 Gen9
Oracle Linux 6.9 64-bit	Intel® Xeon® E5-2400/E5-2400 v2	HPE ProLiant DL380e Gen8
Oracle Linux 6.9 64-bit	Intel® Xeon® E5-2600/E5-2600 v2	HPE ProLiant DL380p Gen8
Oracle Linux 6.9 64-bit	Intel® Xeon® Scalable 8100/6100/5100/4100/3100 Processors	HPE ProLiant DL380 Gen10
Oracle Linux 6.9 64-bit	Intel® Xeon® E5-4600 v3 & v4	HPE ProLiant DL560 Gen9
Oracle Linux 6.9 64-bit	Intel® Xeon® Scalable 8170 Processors	HPE ProLiant DL560 Gen10
Oracle Linux 6.9 64-bit	Intel® Xeon® E7-4800 v2/E7-8800 v2	HPE ProLiant DL580 Gen8
Oracle Linux 6.9 64-bit	Intel® Xeon® E7-4800 v3/E7-8800 v3	HPE ProLiant DL580 Gen9
Oracle Linux 6.9 64-bit	Intel® Xeon® X7560, X6550, E6540, E7520	HPE ProLiant DL980 G7
Oracle Linux 6.9 64-bit	Intel® Xeon® E5-2600 v3 & v4	HPE ProLiant ML350 Gen9
Oracle Linux 6.9 64-bit	Intel® Xeon® E5-2600 v3	HPE ProLiant XL450 Gen9 (Apollo 4500)
Oracle Linux 6.9 64-bit	Intel® Xeon® E5-2600 v4	HPE Synergy 480 Gen9 Compute Module

Operating Environment	Processor	Hardware
Oracle Linux 6.9 64-bit	Intel® Xeon® Scalable 8100/6100/5100/4100/3100 Processors	HPE Synergy 480 Gen10 Compute Module
Oracle Linux 6.9 64-bit	Intel® Xeon® E7-4800 v4/E7-8800 v4	HPE Synergy 620 Gen9 Compute Module
Oracle Linux 6.9 64-bit	Intel® Xeon® Scalable 8100/6100/5100 Processors	HPE Synergy 660 Gen10 Compute Module
Oracle Linux 6.9 64-bit	Intel® Xeon® E7-4800 v4/E7-8800 v4	HPE Synergy 680 Gen9 Compute Module
Oracle Linux 6.9 64-bit	Intel® Xeon® Scalable Processors	Huawei FusionServer 1288H V5
Oracle Linux 6.9 64-bit	Intel® Xeon® Scalable Processors	Huawei FusionServer 2288H V5
Oracle Linux 6.9 64-bit	Intel® Xeon® Scalable Processors	Huawei FusionServer CH121 V5
Oracle Linux 6.9 64-bit	Intel® Xeon® Scalable Processors	Huawei FusionServer CH121L V5
Oracle Linux 6.9 64-bit	Intel® Xeon® Scalable Processors	Huawei FusionServer CH242 V5
Oracle Linux 6.9 64-bit	Intel® Xeon® E5-2600 v3 & v4	Huawei FusionServer RH2288H V3
Oracle Linux 6.9 64-bit	Intel® Xeon® Scalable Processors	Huawei FusionServer XH321 V5
Oracle Linux 6.9 64-bit	Intel® Xeon® E5-2600 v3	Inspur Yingxin NF5180M4
Oracle Linux 6.9 64-bit	Intel® Xeon® Scalable Processors	Inspur Yingxin NF5180M5
Oracle Linux 6.9 64-bit	Intel® Xeon® E5-2600 v3 & v4	Inspur Yingxin NF5240M4
Oracle Linux 6.9 64-bit	Intel® Xeon® E5-2600 v2	Inspur Yingxin NF5270M3
Oracle Linux 6.9 64-bit	Intel® Xeon® Scalable Processors	Inspur Yingxin NF5180M5
Oracle Linux 6.9 64-bit	Intel® Xeon® E5-2600 v3 & v4	Inspur Yingxin NF5280M4
Oracle Linux 6.9 64-bit	Intel® Xeon® Scalable Processors	Inspur Yingxin NF5280M5
Oracle Linux 6.9 64-bit	Intel® Xeon® E5-2600 v3 & v4	Inspur Yingxin NF5460M4
Oracle Linux 6.9 64-bit	Intel® Xeon® E7-4800 v3 & v4/E7-8800 v3 & v4	Inspur Yingxin NX8480M4
Oracle Linux 6.9 64-bit	Intel® Xeon® E5-2600 v4	Lenovo System x3650 M5
Oracle Linux 6.9 64-bit	Intel® Xeon® E7-4800 v4/E7-8800 v4	Lenovo System x3850 X6
Oracle Linux 6.9 64-bit	Intel® Xeon® E5-4800 v4/E7-8800 v4	NEC Express 5800/R120g-1M
Oracle Linux 6.9 64-bit	Intel® Xeon® E5-2600 v4	NEC Express 5800/R120g-2M
Oracle Linux 6.9 64-bit	Intel® Xeon® E5-2600 v3	Oracle Netra Server X5-2
Oracle Linux 6.9 64-bit	Intel® Xeon® E5-2600 v3	Oracle Server X5-2
Oracle Linux 6.9 64-bit	Intel® Xeon® E5-2600 v3	Oracle Server X5-2L
Oracle Linux 6.9 64-bit	Intel® Xeon® E7-8800 v3	Oracle Server X5-4
Oracle Linux 6.9 64-bit	Intel® Xeon® E7-8800 v3	Oracle Server X5-8
Oracle Linux 6.9 64-bit	Intel® Xeon® E5-2600 v4	Oracle Server X6-2
Oracle Linux 6.9 64-bit	Intel® Xeon® E5-2600 v4	Oracle Server X6-2L
Oracle Linux 6.9 64-bit	Intel® Xeon® E5-2600 v4	Oracle Server X6-2M
Oracle Linux 6.9 64-bit	Intel® Xeon® Scalable 8100/6100/4100 Processors	Oracle Server X7-2
Oracle Linux 6.9 64-bit	Intel® Xeon® Scalable 8100/6100/4100 Processors	Oracle Server X7-2L
Oracle Linux 6.9 64-bit	Intel® Xeon® Scalable 8100/6100 Processors	Oracle Server X7-8
Oracle Linux 6.9 64-bit	Intel® Xeon® x7500-series	Oracle Sun Fire X4470
Oracle Linux 6.9 64-bit	Intel® Xeon® x7500-series	Oracle Sun Fire X4800

Operating Environment	Processor	Hardware
Oracle Linux 6.9 64-bit	Intel® Xeon® E7-8800	Oracle Sun Server X2-8
Oracle Linux 6.9 64-bit	Intel® Xeon® E7-4800	Oracle Sun Server X2-4
Oracle Linux 6.9 64-bit	Intel® Xeon® E5-2600	Oracle Sun Server X3-2
Oracle Linux 6.9 64-bit	Intel® Xeon® E5-2600	Oracle Sun Server X3-2L
Oracle Linux 6.9 64-bit	Intel® Xeon® E5-2600 v2	Oracle Sun Server X4-2
Oracle Linux 6.9 64-bit	Intel® Xeon® E5-2600 v2	Oracle Sun Server X4-2L
Oracle Linux 6.9 64-bit	Intel® Xeon® E7-8800 v2	Oracle Sun Server X4-4
Oracle Linux 6.9 64-bit	Intel® Xeon® E7-8800 v2	Oracle Sun Server X4-8

**Table 7: Vendor Affirmed Operational Environments**

*Note:* CMVP makes no statement as to the correct operation of the module when so ported if the specific operational environment is not listed on the validation certificate.

### 6.3 Operational Environment Policy

The operating system is restricted to a single operator (concurrent operators are explicitly excluded). The entity that request cryptographic services is the single user of the module.

In operational mode, the `ptrace(2)` system call, the debugger (`gdb(1)`), and `strace(1)` shall be not used.

## 7. Roles, Services and Authentication

This section defines the roles, services, and authentication mechanisms and methods with respect to the applicable FIPS 140-2 requirements.

### 7.1 Roles

The module supports the following roles:

- **User Role:** performs key derivation and negotiates IKE to establish security association.
- **Crypto Officer Role:** performs module installation and configuration, manages Pluto IKE Daemon, self tests, show status and Zeroize services.

The module is a Security Level 1 software-only cryptographic module and does not implement authentication. The User and Crypto Officer roles are implicitly assumed by the entity accessing the module services.

### 7.2 FIPS Approved Operator Services and Descriptions

The module supports following services in approved mode.

U	CO	Service Name	Service Description	Keys and CSP(s)	Access Type
	X	Install and Configure the Module	Installation and secure configuration of the cryptographic module	RSA Private Key, pre-shared key	R, W, X, Z
	X	Manage Pluto IKE Daemon	Manage Pluto IKE daemon like start and stop activities and destroy keys.	Zeroize of Keys and CSP's	R, X, Z
X		Negotiate IKE to Establish Security Associations (SA's)	Negotiate key agreement using IKE to establish security associations	RSA private key, EC/Diffie-Hellman private key, EC/Diffie-Hellman Shared Secret, IKE SA Tunnel Encryption Keys, IKE SA Tunnel Integrity Keys, IPsec SA encryption keys, IPsec SA Tunnel Integrity Keys	R, W, X
	X	Self-Tests	Execute self-tests	HMAC-SHA-256	X
	X	Show Status	Show status of the module	None	R, X
	X	Zeroize	Zeroize keys and CSP's	Keys and CSP's	X, Z

R – Read, W – Write, X – Execute, Z - Zeroize

**Table 8: FIPS Approved Services**



The module supports following services in non-approved mode.

U	CO	Service Name	Service Description	Keys and CSP(s)	Access Type
	X	Install and Configure the Module	Installation and secure configuration of the cryptographic module	RSA key sizes listed in Table 4	R, W, X, Z
X		Negotiate IKE to Establish Security Associations (SA's)	Negotiate key agreement using IKE to establish security associations	RSA, DH key sizes listed in Table 4.	R, W, X

R – Read, W – Write, X – Execute, Z - Zeroize

**Table 9: Non-FIPS Approved Services**

### 7.3 Authentication

The module is a Security Level 1 software-only cryptographic module and does not implement authentication. The role is implicitly assumed based on the service requested.

## 8. Key and CSP Management

The following keys, cryptographic key components and other critical security parameters are used by the Module. The module leverages the Oracle Linux NSS Cryptographic Library for cryptographic services with the exception of HMAC-SHA-256 integrity test that is performed by the Oracle Linux OpenSSL Cryptographic Library and the key derivation components that are contained within the Pluto IKE Daemon.

CSP Name	Use	Storage	Zeroization
RSA Private Key	Keys used for peer authentication.	Ephemeral	Close of IKE SA or termination of Pluto IKE Daemon
Pre-shared key	Pre-computed value provided to the module used to derive session keys for the IKE	Ephemeral	Close of IKE SA or termination of Pluto IKE Daemon
EC/Diffie-Hellman private key	Keys used for key agreement. Generated by the bound NSS module.	Ephemeral	Close of IKE SA or termination of Pluto IKE Daemon
EC/Diffie-Hellman Shared Secret	Shared secret established by EC/Diffie-Hellman key agreement	Ephemeral	Close of IKE SA or termination of Pluto IKE Daemon
IKE SA Tunnel Encryption Keys (AES, 3-key Triple-DES)	Session keys derived from IKE SA tunnel	Ephemeral	Close of IKE SA or termination of Pluto IKE Daemon
IKE SA Tunnel Integrity Keys (HMAC)	Provide data integrity of data traffic travelling over the IKE secure tunnel.	Ephemeral	Close of IKE SA or termination of Pluto IKE Daemon
IPsec SA Tunnel Encryption Keys (AES, 3-key Triple-DES)	Session keys derived from IPSEC SA tunnel	Ephemeral	Close of IKE SA or overwritten by re-negotiated IPsec SA or termination of Pluto IKE Daemon
IPsec SA Tunnel Integrity Keys (HMAC)	Provide data integrity of data traffic travelling over the IPsec secure tunnel.	Ephemeral	Close of IKE SA or overwritten by re-negotiated IPsec SA or termination of Pluto IKE daemon

**Table 10: CSP Table**

Note: The RSA private keys are encrypted by the NSS module. When an operation requires a private key, the first pointer or handle to the private key is obtained using the public key and CKA\_ID (key ID). Only during the operation, private keys are decrypted and the operation is performed. After the operation, the memory pointing to the private key is zeroized by the NSS module.



### **8.1 Random Number Generation**

The module does not implement any random number generator nor does it provides key generation. The module only provides key derivation through the implementation of the SP 800-135 KDF.

### **8.2 Key/CSP Storage**

Public and private keys are provided to the module by the calling process, and are destroyed when released by the appropriate IKE Network Port/Protocol. The module does not perform persistent storage of keys.

### **8.3 Key/CSP Zeroization**

The destruction functions, overwrites the memory that is occupied by the key information with predefined value before it is deallocated.

## 9. Self-Tests

### 9.1 Power-Up Self-Tests

The module performs power-up tests at module initialization which includes the software integrity test to ensure that the module is not corrupted. The self-tests are triggered automatically without any user intervention. While the module is performing the power-up tests, services are not available and data input or output is not possible.

### 9.2 Integrity Tests

The integrity check is performed by the fipscheck application using the HMAC-SHA-256 algorithm implemented by the OpenSSL module. The OpenSSL module computes an HMAC SHA-256 value for the fipscheck utility, as well as all applications forming the Libreswan module. The integrity verification is performed as follows:

The Libreswan application links with the library libfipscheck.so which is intended to execute fipscheck application to verify the integrity of the Libreswan application file using the HMAC-SHA-256. Upon calling the FIPSCHECK\_verify() function provided with libfipscheck.so, the fipscheck application is loaded and executed, and the following steps are performed:

1. Fipscheck loads the OpenSSL module, which performs its own integrity check using the HMAC SHA-256 algorithm;
2. Fipscheck performs the integrity check of its own application file using the HMAC SHA-256 algorithm provided by the OpenSSL module;
3. Fipscheck automatically verifies the integrity of libfipscheck.so library before processing requests of calling applications;
4. The fipscheck application performs the integrity check of the Libreswan application file as follows:

The fipscheck computes the HMAC SHA-256 checksum of the file and compares the computed value to the value stored inside the /usr/lib64/fipscheck/<applicationfilename>.hmac checksum file. The fipscheck application returns the appropriate exit value based on the comparison result: zero if the checksum is OK, which is enforced by the libfipscheck.so library. Otherwise, an error code will be shown, which puts the module into the error state.

If any of the above steps fails, an error code (a non-zero value) will be returned and the module enters the error state. In Error state, all output is inhibited and no cryptographic operation is allowed. The Module needs to be reinitialized in order to recover from the Error state.

The power-up self tests can be performed on demand by reinitializing the Module.

### 9.3 Cryptographic Algorithm Tests

The Libreswan module will use the Oracle Linux 6 NSS Cryptographic Module as a bound module which provides the underlying cryptographic algorithms. The power-up self-tests for the SP 800-135 KDF are covered by the SHS Known-Answer-Tests (KAT) performed by the NSS module. All the known answer tests are implemented by the bound NSS Module.

## 10. Crypto-Officer and User Guidance

The following guidance items are to be used for assistance in maintaining the module's validated status while in use.

### 10.1 Crypto-Officer Guidance

NOTE: All cryptographic functions for the Oracle Linux 6 Libreswan Cryptographic Module will be provided by a copy of a FIPS 140-2 validated version of the NSS module. The OpenSSL module is used to perform integrity verification. Below is a list of actions needed to configure the Pluto IKE daemon:

As stated in Guidance section of Oracle Linux OpenSSL Cryptographic Module and Oracle Linux 6 NSS Cryptographic Module security policy, after configuring the operating environment to support FIPS, the file `/proc/sys/crypto/fips_enabled` will contain 1. If the file does not exist or does not contain "1", the operating environment is not configured to support FIPS and the module will not operate as a FIPS validated module.

- Configure Pluto as specified in `ipsec.conf(5)`, and `ipsec.secrets(5)` man pages, as well as the file `README.nss` provided by the RPM package: [Libreswan-3.15-7.5.0.1.el6\\_9.x86\\_64](#).
- To start and stop the module, use the `(service ipsec)` command.
- `ikelifetime` should not be larger than 1 hour.
- `salifetime` should not be larger than 1 hour.
- Galois Counter Mode (GCM) should be used with their full tag lengths.
- Aggressive mode should not be used.
- Stopping the module will zeroize the ephemeral CSPs and keys.
- To check module status, read the Pluto debug data using the `ipsec_barf(8)` tool.
- The version of the RPM containing the validated module is stated in section 3.1 above. The RPM package of the Module can be installed by standard tools recommended for the installation of Oracle packages on an Oracle Linux system (for example, yum, RPM, and the RHN remote management tool). The integrity of the RPM is automatically verified during the installation of the Module and the Crypto Officer shall not install the RPM file if the Oracle Linux Yum Server indicates an integrity error. The RPM files listed in section 3 are signed by Oracle and during installation; Yum performs signature verification which ensures as secure delivery of the cryptographic module. If the RPM packages are downloaded manually, then the CO should run `'rpm -K <rpm-file-name>'` command after importing the builder's GPG key to verify the package signature. In addition, the CO can also verify the hash of the RPM package to confirm a proper download.
- Only the FIPS 140-2 approved and allowed ciphers listed in section 3.1 shall be used in configuring the Pluto daemon.
- The database for the cryptographic keys used by the Pluto Daemon must be initialized after it has been created as documented in the `README.nss` documentation with the following command, assuming that the database is stored in the directory `/etc/ipsec.d/`  

```
modutil -fips true -dbdir /etc/ipsec.d
```

NOTE: Encryption and decryption of data is done implicitly when the kernel triggers Pluto to set up a new Security Association.

For proper operation of the in-module integrity verification, the prelink has to be disabled. This can be done by setting `PRELINKING=no` in the `/etc/sysconfig/prelink` configuration file.



### **10.1.1 Configuration Changes and FIPS Approved Mode**

Use caution whenever making configuration changes that could potentially prevent access to the `/proc/sys/crypto/fips_enabled` flag (`fips=1`). If the file does not contain "1", the operating environment is not configured to support FIPS and the module will not operate as a FIPS validated module.

### **10.2 User Guidance**

There is no User Guidance as the user role is assumed by the underlying server application that makes calls to the module.

### **10.3 Handling Self-Test Errors**

OpenSSL and NSS self-test failures may prevent Libreswan from operating. See the Guidance section in the OpenSSL and NSS Security Policies for instructions on handling OpenSSL or NSS self-test failures.

Power-up self-test errors are non-fatal errors that transition the module into an error state. The application must be restarted or reinstalled to recover from these errors. Libreswan outputs NSS error codes that can be used to determine the cause of the errors. In the case of integrity test failure, Libreswan enters an error state and outputs the following error: "FIPS HMAC integrity verification self-test FAILED"

The only recovery from this type of failure is to reinstall the Libreswan module.



## 11. Mitigation of Other Attacks

The Module does not mitigate against any attacks.

## Acronyms, Terms and Abbreviations

Term	Definition
AES	Advanced Encryption Standard
CAVP	Cryptographic Algorithm Validation Program
CMVP	Cryptographic Module Validation Program
CSE	Communications Security Establishment
CSP	Critical Security Parameter
CVL	Component Validation List
DH	Diffie-Hellman
DHE	Diffie-Hellman Ephemeral
DRBG	Deterministic Random Bit Generator
ECDH	Elliptic Curve Diffie-Hellman
ECDSA	Elliptic Curve Digital Signature Algorithm
GCM	Galois Counter Mode
HMAC	(Keyed) Hash Message Authentication Code
IKE	Internet Key Exchange
KAT	Known Answer Test
KDF	Key Derivation Function
NIST	National Institute of Standards and Technology
NSS	Network Security Services
PAA	Processor Algorithm Acceleration
PBKDF	Password Based Key Derivation Function
PKCS	Public Key Cryptographic Standard
POST	Power On Self Test
PUB	Publication
SA	Security Associations
SHA	Secure Hash Algorithm

**Table 11: Acronyms**



## References

The FIPS 140-2 standard, and information on the CMVP, can be found at <http://csrc.nist.gov/groups/STM/cmvp/index.html>. More information describing the module can be found on the Oracle web site at [www.oracle.com](http://www.oracle.com).

This Security Policy contains non-proprietary information. All other documentation submitted for FIPS 140-2 conformance testing and validation is "Oracle - Proprietary" and is releasable only under appropriate non-disclosure agreements.

- [1] FIPS 140-2 Standard, <http://csrc.nist.gov/groups/STM/cmvp/standards.html>
- [2] FIPS 140-2 Implementation Guidance, <http://csrc.nist.gov/groups/STM/cmvp/standards.html>
- [3] FIPS 140-2 Derived Test Requirements, <http://csrc.nist.gov/groups/STM/cmvp/standards.html>
- [4] FIPS 197 Advanced Encryption Standard, <http://csrc.nist.gov/publications/PubsFIPS.html>
- [5] FIPS 180-4 Secure Hash Standard, <http://csrc.nist.gov/publications/PubsFIPS.html>
- [6] FIPS 198-1 The Keyed-Hash Message Authentication Code (HMAC), <http://csrc.nist.gov/publications/PubsFIPS.html>
- [7] FIPS 186-4 Digital Signature Standard (DSS), <http://csrc.nist.gov/publications/PubsFIPS.html>
- [8] NIST SP 800-38A, Recommendation for Block Cipher Modes of Operation: Methods and Techniques, <http://csrc.nist.gov/publications/PubsFIPS.html>
- [9] NIST SP 800-38D, Recommendation for Block Cipher Modes of Operation: Galois/Counter Mode (GCM) and GMAC, <http://csrc.nist.gov/publications/PubsFIPS.html>
- [10] NIST SP 800-38F, Recommendation for Block Cipher Modes of Operation: Methods for Key Wrapping, <http://csrc.nist.gov/publications/PubsFIPS.html>
- [11] NIST SP 800-56A, Recommendation for Pair-Wise Key Establishment Schemes using Discrete Logarithm Cryptography (Revised), <http://csrc.nist.gov/publications/PubsFIPS.html>
- [12] NIST SP 800-67 Revision 1, Recommendation for the Triple Data Encryption Algorithm (TDEA) Block Cipher, <http://csrc.nist.gov/publications/PubsFIPS.html>
- [13] NIST SP 800-90A, Recommendation for Random Number Generation Using Deterministic Random Bit Generators, <http://csrc.nist.gov/publications/PubsFIPS.html>
- [14] RSA Laboratories, "PKCS #11 v2.20: Cryptographic Token Interface Standard", 2004.
- [15] P. Kocher, "Timing Attacks on Implementations of Diffie-Hellman, RSA, DSS, and Other Systems", CRYPTO '96, Lecture Notes In Computer Science, Vol. 1109, pp. 104-113, Springer-Verlag, 1996. <http://www.cryptography.com/timingattack/>
- [16] D. Boneh and D. Brumley, "Remote Timing Attacks are Practical", <http://crypto.stanford.edu/~dabo/abstracts/ssl-timing.html>
- [17] C. Percival, "Cache Missing for Fun and Profit", <http://www.daemonology.net/papers/htt.pdf>
- [18] N. Ferguson and B. Schneier, Practical Cryptography, Sec. 16.1.4 "Checking RSA Signatures", p. 286, Wiley Publishing, Inc., 2003.