



Red Hat Enterprise Linux Kernel Crypto API Cryptographic Module version 6.0

FIPS 140-2 Non-Proprietary Security Policy

Version 1.1

Last update: 2018-09-17

Prepared by:
atsec information security corporation
9130 Jollyville Road, Suite 260
Austin, TX 78759
www.atsec.com

Table of Contents

1 Cryptographic Module Specification.....	4
1.1 Module Overview.....	4
1.2 FIPS 140-2 validation.....	6
1.3 Modes of Operations.....	6
2 Cryptographic Module Ports and Interfaces.....	7
3 Roles, Services and Authentication.....	8
3.1 Roles.....	8
3.2 Services.....	8
3.3 Authentication.....	10
4 Physical Security.....	11
5 Operational Environment.....	12
5.1 Applicability.....	12
5.2 Policy.....	12
6 Cryptographic Key Management.....	13
6.1 Random Number Generation.....	13
6.2 Key / Critical Security Parameter (CSP) Access.....	14
6.3 Key / CSP Storage.....	14
6.4 Key / CSP Zeroization.....	14
7 Electromagnetic Interference/Electromagnetic Compatibility (EMI/EMC).....	15
8 Self-Tests.....	16
8.1 Power-Up Self-Tests.....	16
8.1.1 Integrity Tests.....	16
8.2 Conditional Tests.....	17
9 Guidance.....	18
9.1 Cryptographic Officer Guidance.....	18
9.1.1 Secure Installation and Startup.....	18
9.1.2 FIPS 140-2 and AES NI Support.....	18
9.2 User Guidance.....	19
9.2.1 XTS Usage.....	19
9.2.2 GCM Usage.....	19
9.3 Handling Self Test Errors.....	19
Appendix A Glossary and Abbreviations.....	20
Appendix B References.....	22

Introduction

This document is the non-proprietary Security Policy for the Red Hat Enterprise Linux Kernel Crypto API Cryptographic Module version 6.0. It contains the security rules under which the module must operate and describes how this module meets the requirements as specified in FIPS PUB 140-2 (Federal Information Processing Standards Publication 140-2) for a Security Level 1 module.

1 Cryptographic Module Specification

1.1 Module Overview

The Red Hat Enterprise Linux Kernel Crypto API Cryptographic Module version 6.0 (hereafter referred to as the “Module”) is a software only cryptographic module that provides general-purpose cryptographic services to the remainder of the Linux kernel. The Red Hat Enterprise Linux Kernel Crypto API Cryptographic Module version 6.0 is software only, security level 1 cryptographic module, running on a multi-chip standalone platform.

The module is implemented as a set of shared libraries / binary files.

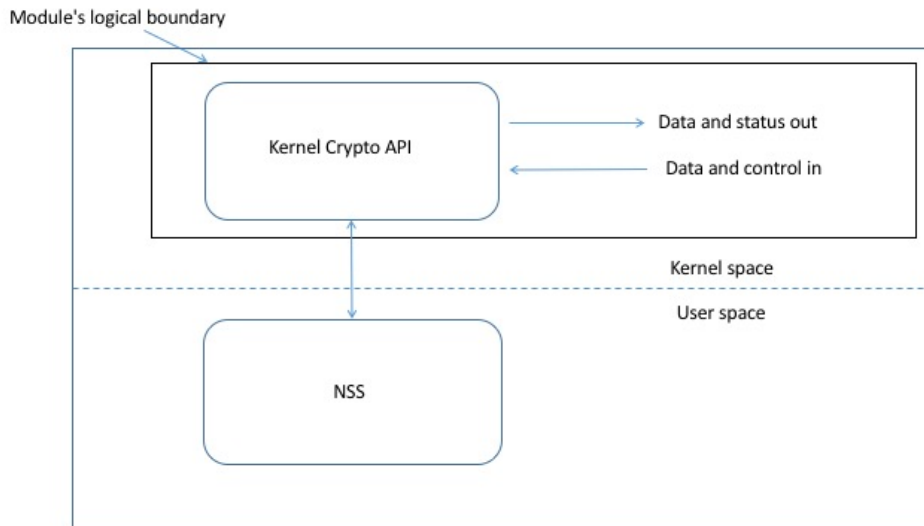


Figure 1: Cryptographic Module Logical Boundary

The module is aimed to run on a general purpose computer; the physical boundary is the surface of the case of the target platform, as shown in the diagram below:

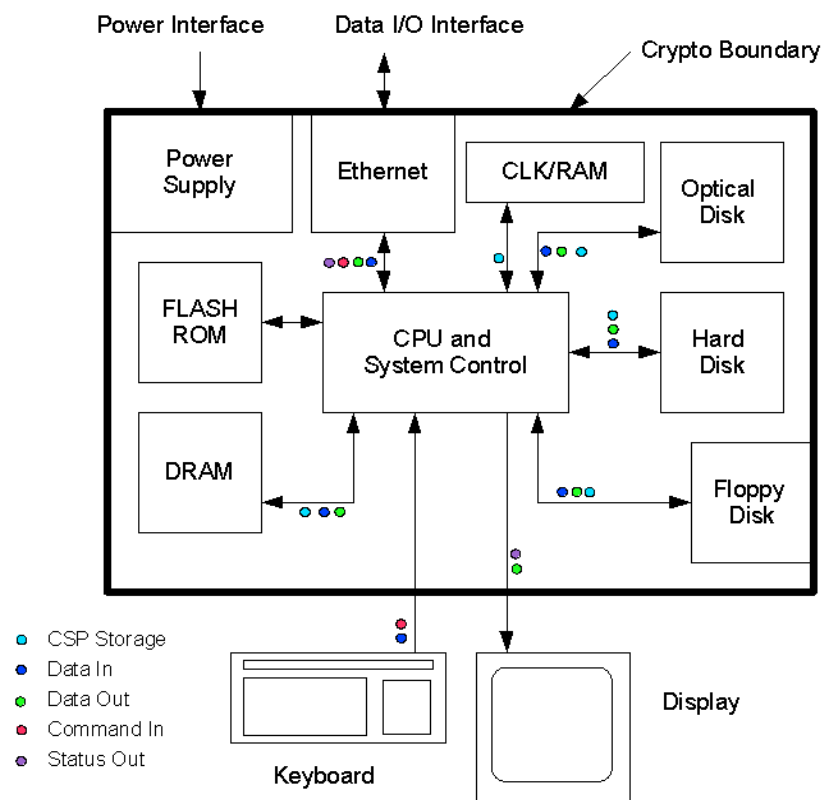


Figure 2: Cryptographic Module Physical Boundary

The following list of packages is required for the module to operate:

- the kernel-3.10.0-862.2.3.el7 package, which contains the binary files, integrity check HMAC files and Man Pages for the kernel
- the dracut-fips-033-535.el7 and the dracut-fips-aesni-033-535.el7 packages, which provide the configuration of the FIPS mode
- the hmaccalc-0.9.13-4.el7 package.

The module is made of the following files:

- kernel loadable components `/lib/modules/$(uname -r)/kernel/crypto/*.ko`
- kernel loadable components `/lib/modules/$(uname -r)/kernel/arch/x86/crypto/*.ko`
- static kernel binary (vmlinuz): `/boot/vmlinuz-$(uname -r)`
- static kernel binary (vmlinuz) HMAC file: `/boot/.vmlinuz-$(uname -r).hmac`
- sha512hmac binary file for performing the integrity checks: `usr/bin/sha512hmac`
- sha512hmac binary HMAC file: `/usr/lib64/hmaccalc/sha512hmac.hmac`

The bound module Red Hat Enterprise Linux NSS Cryptographic Module version 6.0 with FIPS 140-2 Certificate #3270 (hereafter referred to as the “NSS bound module” or “NSS module”) provides the HMAC-SHA-512 algorithm used by the sha512hmac binary file to verify the integrity of both the sha512hmac file and the vmlinuz (static kernel binary) file.

1.2 FIPS 140-2 validation

For the purpose of the FIPS 140-2 validation, the module is a software-only, multi-chip standalone cryptographic module validated at security level 1. The table below shows the security level claimed for each of the eleven sections that comprise the FIPS 140-2 standard:

FIPS 140-2 Section		Security Level
1	Cryptographic Module Specification	1
2	Cryptographic Module Ports and Interfaces	1
3	Roles, Services and Authentication	1
4	Finite State Model	1
5	Physical Security	N/A
6	Operational Environment	1
7	Cryptographic Key Management	1
8	EMI/EMC	1
9	Self Tests	1
10	Design Assurance	1
11	Mitigation of Other Attacks	N/A

Table 1: Security Levels

The module has been tested on the following platforms with the following configuration:

Hardware Platform	Processor	Operating System	Tested	
			With PAA (AES-NI)	Without PAA (AES-NI)
Dell PowerEdge R630	Intel Xeon E5-2640 v3	Red Hat Enterprise Linux 7.5	yes	yes

Table 2: Tested Platforms

The physical boundary is the surface of the case of the target platform. The logical boundary is depicted in Figure 1.

The module also includes algorithm implementations using Processor Algorithm Acceleration (PAA) functions provided by the different processors supported, as shown in the following table:

Processor	Processor Algorithm Acceleration (PAA) function	Algorithm
Intel Xeon E5-2640 v3	AES-NI	AES

Table 3: PAA function implementations

1.3 Modes of Operations

The module supports two modes of operation: the FIPS approved and non-approved modes.

Section 9.1.1 describes the Secure Installation and Startup to correctly install and configure the module. The module turns to FIPS approved mode after correct initialization, successful completion of power-on self-tests.

Invoking a non-Approved algorithm or a non-Approved key size with an Approved algorithm as listed in Table 6 will result in the module implicitly entering the non-FIPS mode of operation.

The approved services available in FIPS mode can be found in section 3.2, Table 5.

The non-approved services not available in FIPS mode can be found in section 3.2, Table 6.

2 Cryptographic Module Ports and Interfaces

As a software-only module, the module does not have physical ports. For the purpose of the FIPS 140-2 validation, the physical ports are interpreted to be the physical ports of the hardware platform on which it runs.

The logical interfaces are the application program interface (API) through which applications request services. The following table summarizes the four logical interfaces:

Logical interfaces	Description	Physical ports mapping the logical interfaces
Command In	API function calls, kernel command line	Keyboard
Status Out	API return codes, kernel logs	Display
Data In	API input parameters	Keyboard
Data Out	API output parameters	Display
Power Input	PC Power Port	Physical Power Connector

Table 4: Ports and Logical Interfaces

3 Roles, Services and Authentication

3.1 Roles

The module supports the following roles:

- **User role:** performs symmetric encryption/decryption, keyed hash, message digest, random number generation, show status
- **Crypto Officer role:** performs the module installation and configuration, module's initialization, self-tests, zeroization and signature verification

The User and Crypto Officer roles are implicitly assumed by the entity accessing the module services.

3.2 Services

The module supports services available to users in the available roles. All services are described in detail in the user documentation.

The following table shows the available services, the roles allowed, the Critical Security Parameters involved and how they are accessed in the FIPS mode. 'R' stands for Read permission, 'W' stands for write permission and 'EX' stands for executable permission of the module:

Service	Algorithms	Note(s) / Mode(s)	CAVS Cert(s).	Role	CSPs	Access
Symmetric encryption/decryption	Triple-DES	CBC, CTR, ECB	2792	User	168 bits Triple-DES keys	R, W, EX
	AES	CBC, CCM, CTR, ECB, GCM, XTS	5545 5546 5548		128, 192 and 256 bits AES keys	
		CBC, CTR, ECB, GCM	5547 5550 5551 5561		Note: XTS mode only with 128 and 256 bits keys	
		CBC, CTR, ECB, GCM, XTS	5549			
Keyed hash (HMAC)	HMAC SHA-1, HMAC SHA-224, HMAC SHA-256, HMAC SHA-384, HMAC SHA-512	BS < KS, KS = BS, KS > BS	3697 3698	User	at least 112 bits HMAC keys	R, W, EX
	HMAC SHA-1, HMAC SHA-256, HMAC SHA-512		3696 3699			
Message digest (SHS)	SHA-1, SHA-224, SHA-256, SHA-384, SHA-512	N/A	4452 4453	User	N/A	R, W, EX
	SHA-1, SHA-256, SHA-512		4451 4454			
Authenticated encryption	AES CBC mode and HMAC-SHA-1, HMAC-SHA-256, HMAC-	Encrypt-then-MAC cipher (authenc) used for IPsec	See AES certs	User	128, 192 and 256 bits AES keys,	R, W, EX

Service	Algorithms	Note(s) / Mode(s)	CAVS Cert(s).	Role	CSPs	Access
	SHA-512				HMAC keys	
Random number generation (SP 800-90A DRBG)	CTR DRBG	With derivation function, with and without prediction resistance function using AES-128, AES-192 and AES-256	2200 2201 2202	User	Entropy input string, V, C values and Key	R, W, EX
	Hash DRBG	With derivation function, with and without prediction resistance function using SHA-1, SHA-256, SHA-384 and SHA-512	2203 2204 2205 2206			
	HMAC DRBG	With and without prediction resistance function using SHA-1, SHA-256, SHA-384 and SHA-512				
Signature verification	RSA	2048 and 3072 bits signature verification according to PKCS#1 v1.5, using SHA-1, SHA-224, SHA-256, SHA-384, SHA-512	2977 2978 2979 2980	Crypto Officer	N/A	R, W, EX
Module initialization	N/A	N/A	N/A	Crypto officer	N/A	EX
Self-tests	HMAC-SHA-512, RSA Signature Verification	Integrity test of the kernel static binary performed by the sha512hmac binary provided by the bound NSS module RSA signature verification performs the signature verification of the kernel loadable components	NSS HMAC: 3546 3562	Crypto officer	HMAC-SHA-512 key	R, EX
Show status	N/A	Via verbose mode, exit codes and kernel logs (dmesg)	N/A	User	N/A	R, EX
Zeroize	N/A	N/A	N/A	Crypto officer	N/A	R, EX
Installation and configuration	N/A	N/A	N/A	Crypto officer	N/A	R, EX

Table 5: Available Cryptographic Module's Services in FIPS mode

In non-Approved mode the Module supports the following non-FIPS Approved algorithms, which shall not be used in the FIPS Approved mode of operation:

Service	Algorithms	Note(s) / Mode(s)	Role	CSPs	Access
Symmetric	AES	XTS with 192-bit keys	User	192 bits AES keys	R, W, EX

Service	Algorithms	Note(s) / Mode(s)	Role	CSPs	Access
encryption/ decryption					
	DES	ECB		56 bits DES keys	
Message digest	SHA-1 (multiple- buffer implementation)	N/A	User	N/A	R, W, EX
Keyed hash	HMAC	Keys smaller than 112 bits	User	HMAC keys with size less than 112 bits	R, W, EX
Random number generation	ansi_cprng	N/A	User	seed	R, W, EX
Asymmetric cryptography	Diffie-Hellman Ec Diffie-Hellman	N/A	User	Diffie-Hellman private keys (1536 bits and larger) EC Diffie-hellman private keys (P-192 and P-256)	R, W, EX

Table 6: Service Details for the non-FIPS mode

3.3 Authentication

The module is a Level 1 software-only cryptographic module and does not implement authentication. The role is implicitly assumed based on the service requested.

4 Physical Security

The module is comprised of software only and thus does not claim any physical security.

5 Operational Environment

5.1 Applicability

The Red Hat Enterprise Linux operating system is used as the basis of other products which include but are not limited to:

- Red Hat Enterprise Linux Atomic Host
- Red Hat Virtualization (RHV)
- Red Hat OpenStack Platform
- OpenShift Container Platform
- Red Hat Gluster Storage
- Red Hat Ceph Storage
- Red Hat CloudForms
- Red Hat Satellite.

Compliance is maintained for these products whenever the binary is found unchanged.

The module operates in a modifiable operational environment per FIPS 140-2 level 1 specifications. The module runs on a commercially available general-purpose operating system executing on the hardware specified in section 1.2.

5.2 Policy

The operating system is restricted to a single operator (concurrent operators are explicitly excluded). The application that request cryptographic services is the single user of the module, even when the application is serving multiple clients.

In FIPS Approved mode, the `ptrace(2)` system call, the debugger (`gdb(1)`), and `strace(1)` shall be not used.

6 Cryptographic Key Management

The application that uses the module is responsible for appropriate destruction and zeroization of the key material. The library provides functions for key allocation and destruction, which overwrites the memory that is occupied by the key information with “zeros” before it is deallocated.

6.1 Random Number Generation

The module employs the Deterministic Random Bit Generator (DRBG) based on [SP800-90A] for the creation of random numbers.

The DRBG is initialized during module initialization. The module loads by default the DRBG using HMAC DRBG with SHA-512, with derivation function, without prediction resistance. The DRBG is seeded during initialization with a seed obtained from /dev/urandom of length 3/2 times the DRBG strength. Please note that /dev/urandom is an NDRNG located within the module's physical boundary but outside its logical boundary.

The module implements the health checks defined by SP 800-90A, section 11.3. The noise source of /dev/urandom implements continuous tests.

Here are listed the CSPs/keys details concerning storage, input, output, generation and zeroization:

Type	Keys/CSPs	Key Generation	Key Storage	Key Entry/Output	Key Zeroization
Symmetric keys	AES	N/A	Protected kernel memory	API allows caller on the same GPC to supply key	Memory is automatically overwritten by zeroes when freeing the cipher handler
	Triple-DES	N/A	Protected kernel memory	API allows caller on the same GPC to supply key	Memory is automatically overwritten by zeroes when freeing the cipher handler
DRBG SP800-90A entropy string	SP 800-90A DRBG Entropy string	The seed data obtained from /dev/urandom	Module's application memory	N/A	Automatic zeroization when seeding operation completes
SP 800-90A DRBG nonce	SP 800-90A DRBG Seed and internal state values V and C	Based on entropy string as defined in SP 800-90A	Protected kernel memory	N/A	Memory is automatically overwritten by zeroes when freeing the cipher handler
HMAC keys	HMAC keys	N/A	Protected kernel memory	HMAC key can be supplied by calling application	Memory is automatically overwritten by zeroes when freeing the cipher handler
HMAC key used for integrity	HMAC key	N/A - Installed as apt of the module	Persistently stored in plaintext as part of the sha512hmac application	N/A - key is only used for integrity verification	Zeroized in memory by sha512hmac

Table 7: Keys/CSPs

As defined in SP800-90A, the DRBG obtains the entropy string and nonce from the Linux kernel non-deterministic random number generator during:

- a. initialization of a DRBG instance
- b. after 2^{48} requests for random numbers

The module does not provide any key generation service or perform key generation for any of its Approved algorithms. Keys are passed in from calling application via API parameters.

***Caveat:** The module generates random strings whose strengths are modified by available entropy.*

6.2 Key / Critical Security Parameter (CSP) Access

An authorized application as user (the User role) has access to all key data generated during the operation of the module. Moreover, the module does not support the output of intermediate key generation values during the key generation process.

6.3 Key / CSP Storage

Symmetric keys are provided to the module by the calling process, and are destroyed when released by the appropriate API function calls. The module does not perform persistent storage of keys. The RSA public key used for signature verification of the kernel loadable components is stored outside of the module's boundary, in a keyring file in `/proc/keys/`.

6.4 Key / CSP Zeroization

When a calling kernel components calls the appropriate API function that operation overwrites memory with 0s and then frees that memory (please see the API document for full details).

7 Electromagnetic Interference/Electromagnetic Compatibility (EMI/EMC)

MARKETING NAME.....PowerEdge R630
REGULATORY MODEL.....E26S
REGULATORY TYPE.....E26S001
EFFECTIVE DATE.....September 03, 2014
EMC EMISSIONS CLASS.....Class A

This product has been determined to be compliant with the applicable standards, regulations, and directives for the countries where the product is marketed. The product is affixed with regulatory marking and text as necessary for the country/agency. Generally, Information Technology Equipment (ITE) product compliance is based on IEC and CISPR standards and their national equivalent such as Product Safety, IEC 60950-1 and European Norm EN 60950-1 or EMC, CISPR 22/CISPR 24 and EN 55022/55024. Dell products have been verified to comply with the EU RoHS Directive 2011/65/EU. Dell products do not contain any of the restricted substances in concentrations and applications not permitted by the RoHS Directive.

8 Self-Tests

FIPS 140-2 requires that the Module perform self-tests to ensure the integrity of the Module and the correctness of the cryptographic functionality at start up. In addition, the module performs conditional test for DRBG.

A failure of any of the self-tests panics the Module. The only recovery is to reboot. For persistent failures, you must reinstall the kernel. See section 9.1 for details.

No operator intervention is required during the running of the self-tests.

8.1 Power-Up Self-Tests

The module performs power-up self-tests at module initialization to ensure that the module is not corrupted and that the cryptographic algorithms work as expected. The self-tests are performed without any user intervention.

While the module is performing the power-up tests, services are not available and input or output is not possible: the module is single-threaded and will not return to the calling application until the self-tests are completed successfully.

8.1.1 Integrity Tests

The Module performs power-up self tests (at module initialization). Input, output, and cryptographic functions cannot be performed while the Module is in a self test or error state. The Module is single-threaded during the self tests and will stop the boot procedure, and therefore any subsequent operation before any other kernel component can request services from the Module.

The Crypto Officer with physical or logical access to the Module can run the POST (Power-On Self-Tests) on demand by power cycling the Module or by rebooting the operating system.

For Known Answer Test, HMAC SHA-512 provided by the NSS bound module is tested before the NSS module makes itself available to the sha512hmac application. In addition, if the Intel AES-NI support is present and the dracut-fips aesni RPM package (see section 1) is installed, the AES-NI implementation is self-tested with the same KAT vector as the other AES implementations.

An HMAC SHA-512 (provided by the NSS bound module) calculation is performed on the sha512hmac utility and static Linux kernel binary to verify their integrity. The Linux kernel crypto API kernel components, and any additional code components loaded into the Linux kernel are checked with the RSA signature verification implementation of the Linux kernel when loading them into the kernel to confirm their integrity.

NOTE: The fact that the kernel integrity check passed, which requires the loading of sha512hmac with the self tests implies a successful execution of the integrity and self tests of sha512hmac (the HMAC is stored in /usr/lib/hmaccalc/sha512hmac.hmac).

With respect to the integrity check of kernel loadable components providing the cryptographic functionality, the fact that the self test of these cryptographic components are displayed implies that the integrity checks of each kernel component passed successfully.

The table below summarizes the power-on self tests performed by the module, which includes the Integrity Test of the module itself as stated above and the Known Answer Test for each approved cryptographic algorithm.

Algorithm	Test
AES	KAT, encryption and decryption are tested separately
Triple-DES	KAT, encryption and decryption are tested separately
RSA signature verification	Part of the integrity test (considered as a KAT)

DRBG (CTR, Hash, HMAC)	KAT
HMAC SHA-1, -224, -256, -384, -512	KAT
SHA-1, -224, -256, -384, -512	KAT
Integrity check	HMAC SHA-512

Table 8: Module Self-Tests

8.2 Conditional Tests

The module does not perform any conditional tests.

9 Guidance

9.1 Cryptographic Officer Guidance

To operate the Kernel Crypto API module, the operating system must be restricted to a single operator mode of operation. (This should not be confused with single user mode which is runlevel 1 on RHEL. This refers to processes having access to the same cryptographic instance which RHEL ensures cannot happen by the memory management hardware.)

9.1.1 Secure Installation and Startup

Crypto Officers use the Installation instructions to install the Module in their environment.

The version of the RPM containing the FIPS validated module is stated in section 1.1 above. The integrity of the RPM is automatically verified during the installation and the Crypto Officer shall not install the RPM file if the RPM tool indicates an integrity error.

To bring the Module into FIPS approved mode, perform the following:

1. Install the dracut-fips package:

```
# yum install dracut-fips
```

2. Recreate the INITRAMFS image:

```
# dracut -f
```

After regenerating the initramfs, the Crypto Officer has to append the following string to the kernel command line by changing the setting in the boot loader:

```
fips=1
```

If `/boot` or `/boot/efi` resides on a separate partition, the kernel parameter `boot=<partition of /boot or /boot/efi>` must be supplied. The partition can be identified with the command `df /boot` or `df /boot/efi` respectively. For example:

```
$ df /boot
```

Filesystem	1K-blocks	Used	Available	Use%	Mounted on
/dev/sda1	233191	30454	190296	14%	/boot

The partition of `/boot` is located on `/dev/sda1` in this example. Therefore, the following string needs to be appended to the kernel command line:

```
boot=/dev/sda1
```

9.1.2 FIPS 140-2 and AES NI Support

According to the Kernel Crypto API FIPS 140-2 Security Policy, the Kernel Crypto API module supports the AES-NI Intel processor instruction set as an approved cipher. The AES-NI instruction set is used by the Module.

In case you configured a full disk encryption using AES, you *may* use the AES-NI support for a higher performance compared to the software-only implementation.

To utilize the AES-NI support, the mentioned Module must be loaded during boot time by installing a plugin.

Before you install the plugin, you **MUST** verify that your processor offers the AES-NI instruction set by calling the following command:

```
cat /proc/cpuinfo | grep aes
```

If the command returns a list of properties, including the “aes” string, your CPU provides the AES-NI instruction set. If the command returns nothing, AES-NI is not supported.

You **MUST NOT** install the following plugin if your CPU does not support AES-NI because the kernel will panic during boot.

The support for the AES-NI instruction set during boot time is enabled by installing the following plugin (make sure that the version of the plugin RPM matches the version of the installed RPMs!):

```
# install the dracut-fips-aesni package
yum install dracut-fips-aesni-*.noarch.rpm
# recreate the initramfs image
dracut -f
```

The changes come into effect during the next reboot.

9.2 User Guidance

CTR and RFC3686 mode must only be used for IPsec. It must not be used otherwise.

There are three implementations of AES: aes-generic, aesni-intel, and aes-x86_64 on x86_64 machines. The additional specific implementations of AES for the x86 architecture are disallowed and not available on the test platforms.

When using the Module, the user shall utilize the Linux Kernel Crypto API provided memory allocation mechanisms. In addition, the user shall not use the function `copy_to_user()` on any portion of the data structures used to communicate with the Linux Kernel Crypto API.

Only the cryptographic mechanisms provided with the Linux Kernel Crypto API are considered for use. The NSS bound module, although used, is only considered to support the integrity verification and is not intended for general-purpose use with respect to this Module.

9.2.1 XTS Usage

The XTS mode must only be used for the disk encryption functionality offered by dm-crypt.

9.2.2 GCM Usage

The GCM mode must only be used in conjunction with the IPSEC stack of the Linux kernel due to the restrictions on the GCM IV generation mandated by IG A.5.

9.3 Handling Self Test Errors

Self test failure within the Kernel Crypto API module or the dm-crypt kernel component will panic the kernel and the operating system will not load.

Recover from this error by trying to reboot the system. If the failure continues, you must reinstall the software package being sure to follow all instructions. If you downloaded the software verify the package hash to confirm a proper download. Contact Red Hat if these steps do not resolve the problem.

The Kernel Crypto API module performs a power-on self test that includes an integrity check and known answer tests for the available cryptographic algorithms.

The kernel dumps self test success and failure messages into the kernel message ring buffer. Post boot, the messages are moved to `/var/log/messages`.

Use **dmesg** to read the contents of the kernel ring buffer. The format of the ringbuffer (**dmesg**) output is:

```
alg: self-tests for %s (%s) passed
```

Typical messages are similar to "alg: self-tests for xts(aes) (xts(aes-x86_64)) passed" for each algorithm/sub-algorithm type.

Appendix A Glossary and Abbreviations

AES	Advanced Encryption Standard
AES-NI	Advanced Encryption Standard New Instructions
CAVP	Cryptographic Algorithm Validation Program
CBC	Cipher Block Chaining
CCM	Counter with Cipher Block Chaining Message Authentication Code
CFB	Cipher Feedback
CMAC	Cipher-based Message Authentication Code
CMVP	Cryptographic Module Validation Program
CSP	Critical Security Parameter
CTR	Counter Mode
DES	Data Encryption Standard
DSA	Digital Signature Algorithm
DRBG	Deterministic Random Bit Generator
ECB	Electronic Code Book
ECC	Elliptic Curve Cryptography
FFC	Finite Field Cryptography
FIPS	Federal Information Processing Standards Publication
FSM	Finite State Model
GCM	Galois Counter Mode
HMAC	Hash Message Authentication Code
KAS	Key Agreement Schema
KAT	Known Answer Test
MAC	Message Authentication Code
NDF	No Derivation Function
NIST	National Institute of Science and Technology
NDRNG	Non-Deterministic Random Number Generator
OFB	Output Feedback
O/S	Operating System
PAA	Processor Algorithm Acceleration
PR	Prediction Resistance
PSS	Probabilistic Signature Scheme
RNG	Random Number Generator
RSA	Rivest, Shamir, Addleman

SHA	Secure Hash Algorithm
SHS	Secure Hash Standard
TDES	Triple DES
XTS	XEX-based Tweaked-codebook mode with ciphertext Stealing

Appendix B References

- FIPS180-4** **Secure Hash Standard (SHS)**
March 2012
http://csrc.nist.gov/publications/fips/fips180-4/fips_180-4.pdf
- FIPS186-4** **Digital Signature Standard (DSS)**
July 2013
<http://nvlpubs.nist.gov/nistpubs/FIPS/NIST.FIPS.186-4.pdf>
- FIPS197** **Advanced Encryption Standard**
November 2001
<http://csrc.nist.gov/publications/fips/fips197/fips-197.pdf>
- FIPS198-1** **The Keyed Hash Message Authentication Code (HMAC)**
July 2008
http://csrc.nist.gov/publications/fips/fips198_1/FIPS-198_1_final.pdf
- RFC3394** **Advanced Encryption Standard (AES) Key Wrap Algorithm**
September 2002
<http://www.ietf.org/rfc/rfc3394.txt>
- RFC5649** **Advanced Encryption Standard (AES) Key Wrap with Padding Algorithm**
September 2009
<http://www.ietf.org/rfc/rfc5649.txt>
- SP800-38A** **NIST Special Publication 800-38A - Recommendation for Block Cipher Modes of Operation: Methods and Techniques**
December 2001
<http://csrc.nist.gov/publications/nistpubs/800-38a/sp800-38a.pdf>
- SP800-38B** **NIST Special Publication 800-38B - Recommendation for Block Cipher Modes of Operation: The CMAC Mode for Authentication**
May 2005
http://csrc.nist.gov/publications/nistpubs/800-38B/SP_800-38B.pdf
- SP800-38C** **NIST Special Publication 800-38C - Recommendation for Block Cipher Modes of Operation: the CCM Mode for Authentication and Confidentiality**
May 2004
http://csrc.nist.gov/publications/nistpubs/800-38C/SP800-38C_updated_July20_2007.pdf
- SP800-38D** **NIST Special Publication 800-38D - Recommendation for Block Cipher Modes of Operation: Galois/Counter Mode (GCM) and GMAC**
November 2007
<http://csrc.nist.gov/publications/nistpubs/800-38D/SP-800-38D.pdf>
- SP800-38E** **NIST Special Publication 800-38E - Recommendation for Block Cipher Modes of Operation: The XTS AES Mode for Confidentiality on Storage Devices**
January 2010
<http://csrc.nist.gov/publications/nistpubs/800-38E/nist-sp-800-38E.pdf>
- SP800-38F** **NIST Special Publication 800-38F - Recommendation for Block Cipher Modes of Operation: Methods for Key Wrapping**
December 2012
<http://nvlpubs.nist.gov/nistpubs/SpecialPublications/NIST.SP.800-38F.pdf>

- SP800-56A** **NIST Special Publication 800-56A Revision 2 - Recommendation for Pair Wise Key Establishment Schemes Using Discrete Logarithm Cryptography**
May 2013
http://nvlpubs.nist.gov/nistpubs/SpecialPublications/NIST.SP.800_56Ar2.pdf
- SP800-56C** **Recommendation for Key Derivation through Extraction-then-Expansion**
November 2011
<http://csrc.nist.gov/publications/nistpubs/800-56C/SP-800-56C.pdf>
- SP800-67** **NIST Special Publication 800-67 Revision 1 - Recommendation for the Triple Data Encryption Algorithm (TDEA) Block Cipher**
January 2012
<http://csrc.nist.gov/publications/nistpubs/800-67-Rev1/SP-800-67-Rev1.pdf>
- SP800-90A** **NIST Special Publication 800-90A - Recommendation for Random Number Generation Using Deterministic Random Bit Generators**
January 2012
<http://csrc.nist.gov/publications/nistpubs/800-90A/SP800-90A.pdf>
- SP800-90B** **NIST Draft Special Publication 800-90B - Recommendation for the Entropy Sources Used for Random Bit Generation**
August 2012
<http://csrc.nist.gov/publications/drafts/800-90/draft-sp800-90b.pdf>
- SP800-108** **NIST Special Publication 800-108 - Recommendation for Key Derivation Using Pseudorandom Functions**
October 2009
<http://csrc.nist.gov/publications/nistpubs/800-108/sp800-108.pdf>
- SP800-131A** **NIST Special Publication 800-131A - Transitions: Recommendation for Transitioning the Use of Cryptographic Algorithms and Key Lengths**
January 2011
<http://csrc.nist.gov/publications/nistpubs/800-131A/sp800-131A.pdf>