



Digi ConnectCore Security Module

Version 1.0

By

Digi International, Inc.

FIPS 140-2 Security Policy

Version 1.0

March 30, 2018

Copyright Notice

Copyright © 2018 Digi International, Inc. All rights reserved. This document may reproduced or distributed whole and intact including this copyright notice.

Modification History

2018-03-30 Initial validation with platforms #1, #2; Yocto Linux 2.4 on ConnectCore 6/6UL SoM (ARMv7) with/without NEON

References

<i>Reference</i>	<i>Full Specification Name</i>
[ANS X9.31]	<i>Digital Signatures Using Reversible Public Key Cryptography for the Financial Services Industry (rDSA)</i>
[FIPS 140-2]	<u>Security Requirements for Cryptographic modules, May 25, 2001</u>
[FIPS 180-3]	<u>Secure Hash Standard</u>
[FIPS 186-4]	<u>Digital Signature Standard</u>
[FIPS 197]	<u>Advanced Encryption Standard</u>
[FIPS 198-1]	<u>The Keyed-Hash Message Authentication Code (HMAC)</u>
[SP 800-38B]	<u>Recommendation for Block Cipher Modes of Operation: The CMAC Mode for Authentication</u>
[SP 800-38C]	<u>Recommendation for Block Cipher Modes of Operation: The CCM Mode for Authentication and Confidentiality</u>
[SP 800-38D]	<u>Recommendation for Block Cipher Modes of Operation: Galois/Counter Mode (GCM) and GMAC</u>
[SP 800-56A]	<u>Recommendation for Pair-Wise Key Establishment Schemes Using Discrete Logarithm Cryptography</u>
[SP 800-67R1]	<u>Recommendation for the Triple Data Encryption Algorithm (TDEA) Block Cipher</u>
[SP 800-89]	<u>Recommendation for Obtaining Assurances for Digital Signature Applications</u>
[SP 800-90]	<u>Recommendation for Random Number Generation Using Deterministic Random Bit Generators</u>
[SP 800-131A]	<u>Transitions: Recommendation for Transitioning the Use of Cryptographic Algorithms and Key Lengths</u>

Table of Contents

1 Introduction.....	6
2 Tested Configurations.....	8
2.1 Tested Environments.....	8
2.2 Vendor Affirmed Environments.....	8
3 Ports and Interfaces.....	9
4 Modes of Operation and Cryptographic Functionality.....	10
4.1 Critical Security Parameters and Public Keys.....	13
5 Roles, Authentication and Services.....	16
6 Self-test.....	18
7 Operational Environment.....	20
8 Mitigation of other Attacks.....	21
Appendix A Installation and Usage Guidance.....	22
Appendix B Controlled Distribution File Fingerprint.....	24
Appendix C Compilers.....	25

1 Introduction

This document is the non-proprietary security policy for the *Digi ConnectCore Security Module*, hereafter referred to as the Module. The Module is based on the *OpenSSL FIPS Object Module v2.0*.

The Module is a software library providing a C-language application program interface (API) for use by other processes that require cryptographic functionality. The Module is classified by FIPS 140-2 as a software module, multi-chip standalone module embodiment. The physical cryptographic boundary is the general purpose computer on which the module is installed. The logical cryptographic boundary of the Module is the *fipscanister* object module, a single object module file named *fipscanister.o*. The Module performs no communications other than with the calling application (the process that invokes the Module services).

Note that the *Digi ConnectCore Security Module v1.0* is fully backwards compatible with all earlier revisions of the *Digi ConnectCore Security Module*. The v1.0 Module incorporates support for new platforms without disturbing functionality for any previously tested platforms. The v1.0 Module can be used in any environment supported by the earlier revisions of the Module, and those earlier revisions remain valid.

The FIPS 140-2 security levels for the Module are as follows:

Security Requirement	Security Level
Cryptographic Module Specification	1
Cryptographic Module Ports and Interfaces	1
Roles, Services, and Authentication	2
Finite State Model	1
Physical Security	NA
Operational Environment	1
Cryptographic Key Management	1
EMI/EMC	1
Self-Tests	1
Design Assurance	3
Mitigation of Other Attacks	NA

Table 1 – Security Level of Security Requirements

The Module's software version for this validation is 1.0.

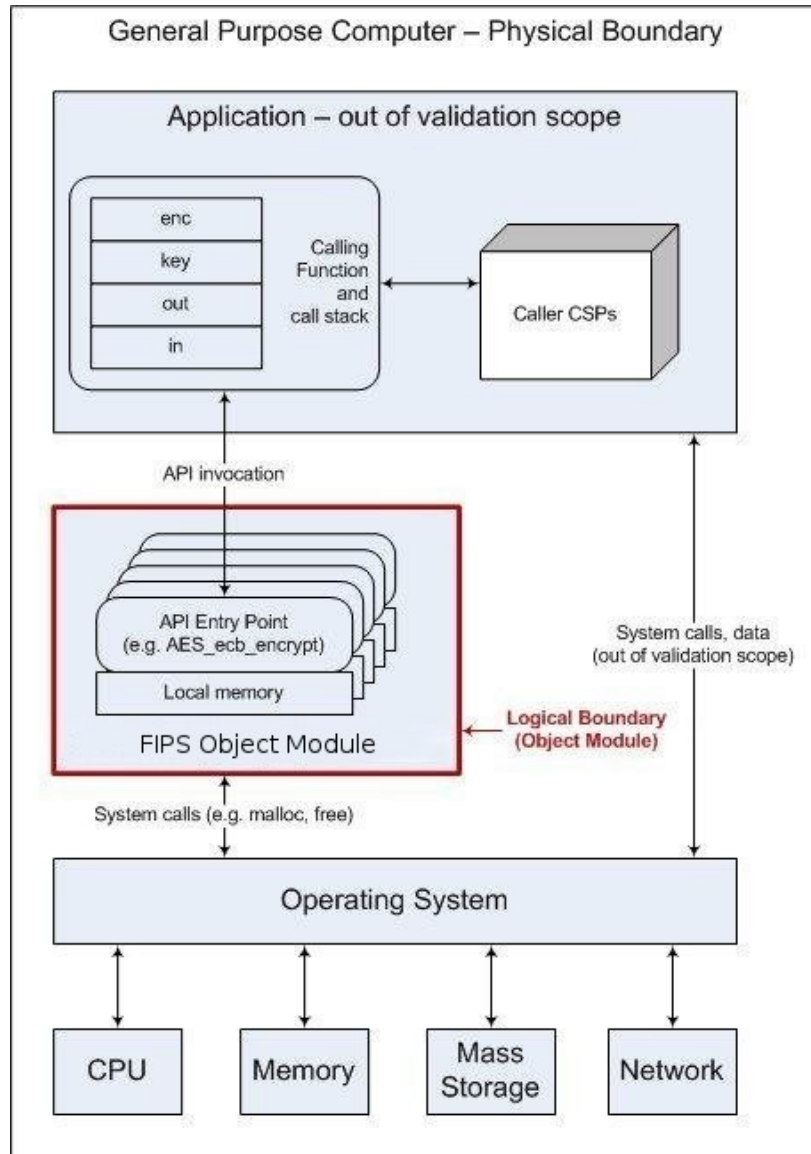


Figure 1 - Module Block Diagram

2 Tested Configurations

2.1 Tested Environments

#	Operational Environment	Processor	Optimiz-ations (Target)
1	Yocto Linux 2.4	ConnectCore 6/6UL SoM (ARMv7)	None
2	Yocto Linux 2.4	ConnectCore 6/6UL SoM (ARMv7)	NEON

Table 2.1 - Tested Configurations

See Appendix A for additional information on build method. See Appendix C for a list of the specific compilers used to generate the Module for the respective operational environments.

2.2 Vendor Affirmed Environments

The following platforms have not been tested as part of this FIPS 140-2 level 1 validation. However Digi International “vendor affirms” that these platforms are equivalent to the tested and validated platforms and the Module will function the same way and provide the same security services on any of the systems listed below.

#	Operational Environment	Processor	Optimiz-ations (Target)
1	Yocto Linux 2.4	ConnectCore 6 SoM (ARMv7)	None
2	Yocto Linux 2.4	ConnectCore 6 SoM (ARMv7)	NEON

Table 2.2 - Vendor Affirmed Configurations

3 Ports and Interfaces

The physical ports of the Module are the same as the computer system on which it is executing. The logical interface is a C-language application program interface (API).

Logical interface type	Description
<i>Control input</i>	<i>API entry point and corresponding stack parameters</i>
<i>Data input</i>	<i>API entry point data input stack parameters</i>
<i>Status output</i>	<i>API entry point return values and status stack parameters</i>
<i>Data output</i>	<i>API entry point data output stack parameters</i>

Table 3 - Logical interfaces

As a software module, control of the physical ports is outside module scope. However, when the module is performing self-tests, or is in an error state, all output on the logical data output interface is inhibited. The module is single-threaded and in error scenarios returns only an error value (no data output is returned).

4 Modes of Operation and Cryptographic Functionality

The Module supports only a FIPS 140-2 Approved mode. Tables 4a and 4b list the Approved and Non-approved but Allowed algorithms, respectively.

Function	Algorithm	Options	Cert #
Random Number Generation; Symmetric key generation	[SP 800-90] DRBG ¹ Prediction resistance supported for all variations	Hash DRBG HMAC DRBG, no reseed CTR DRBG (AES), no derivation function	2053
Encryption, Decryption and CMAC	[SP 800-67]	3-Key TDES ECB, TCBC, TCFB, TOFB; CMAC generate and verify	2686
	[FIPS 197] AES	128/192/256 ECB, CBC, OFB, CFB 1, CFB 8, CFB 128, CTR, XTS; CCM; GCM; CMAC generate and verify	5323
	[SP 800-38B] CMAC [SP 800-38C] CCM [SP 800-38D] GCM [SP 800-38E] XTS		
Message Digests	[FIPS 180-3]	SHA-1, SHA-2 (224, 256, 384, 512)	4275
Keyed Hash	[FIPS 198] HMAC	SHA-1, SHA-2 (224, 256, 384, 512)	3521
Digital Signature and Asymmetric Key Generation	[FIPS 186-2] RSA	GenKey9.31, SigGen9.31, SigGenPKCS1.5, SigGenPSS, SigVer9.31, SigVerPKCS1.5, SigVerPSS (2048/3072/4096 with all SHA-2 sizes)	2851
	[FIPS 186-4] DSA	PQG Gen, PQG Ver, Key Pair Gen, Sig Gen, Sig Ver (1024/2048/3072 with all SHA-2 sizes)	1375
	[FIPS 186-2] ECDSA	PKG: CURVES(P-224 P-384 P-521 K-233 K- 283 K-409 K-571 B-233 B-283 B-409 B-571) PKV: CURVES(P-192 P-224 P-256 P-384 P-521 K-163 K-233 K-283 K-409 K-571 B-163 B-233 B-283 B-409 B-571)	1397
		PKG: CURVES(P-224 P-384 P-521) PKV: CURVES(P-192 P-224 P-256 P-384 P-521)	1397

¹ For all DRBGs the "supported security strengths" is just the highest supported security strength per [SP800-90] and [SP800-57].

Digi ConnectCore Security Module - FIPS 140-2 Security Policy

	[FIPS 186-4] ECDSA	<p>PKG: CURVES(P-224 P-256 P-384 P-521 K-224 K-256 K-384 K-521 B-224 B-256 B-384 B-521 ExtraRandomBits TestingCandidates)</p> <p>PKV: CURVES(ALL-P ALL-K ALL-B)</p> <p>SigGen: CURVES(P-224: (SHA-224, 256, 384, 512) P-256: (SHA-224, 256, 384, 512) P-384: (SHA-224, 256, 384, 512) P-521: (SHA-224, 256, 384, 512) K-233: (SHA-224, 256, 384, 512) K-283: (SHA-224, 256, 384, 512) K-409: (SHA-224, 256, 384, 512) K-571: (SHA-224, 256, 384, 512) B-233: (SHA-224, 256, 384, 512) B-283: (SHA-224, 256, 384, 512) B-409: (SHA-224, 256, 384, 512) B-571: (SHA-224, 256, 384, 512))</p> <p>SigVer: CURVES(P-192: (SHA-1, 224, 256, 384, 512) P-224: (SHA-1, 224, 256, 384, 512) P-256: (SHA-1, 224, 256, 384, 512) P-384: (SHA-1, 224, 256, 384, 512) P-521: (SHA-1, 224, 256, 384, 512) K-163: (SHA-1, 224, 256, 384, 512) K-233: (SHA-1, 224, 256, 384, 512) K-283: (SHA-1, 224, 256, 384, 512) K-409: (SHA-1, 224, 256, 384, 512) K-571: (SHA-1, 224, 256, 384, 512) B-163: (SHA-1, 224, 256, 384, 512) B-233: (SHA-1, 224, 256, 384, 512) B-283: (SHA-1, 224, 256, 384, 512) B-409: (SHA-1, 224, 256, 384, 512) B-571: (SHA-1, 224, 256, 384, 512))</p>	
		<p>PKG: CURVES(P-224 P-256 P-384 P-521)</p> <p>PKV: CURVES(ALL-P)</p> <p>SigGen: CURVES(P-224: (SHA-224, 256, 384, 512) P-256: (SHA-224, 256, 384, 512) P-384: (SHA-224, 256, 384, 512) P-521: (SHA-224, 256, 384, 512))</p> <p>SigVer: CURVES(P-192: (SHA-1, 224, 256, 384, 512) P-224: (SHA-1, 224, 256, 384, 512) P-256: (SHA-1, 224, 256, 384, 512) P-384: (SHA-1, 224, 256, 384, 512) P-521: (SHA-1, 224, 256, 384, 512))</p>	
ECC CDH (KAS)	[SP 800-56A] (§5.7.1.2)	All NIST defined B, K and P curves except sizes 163 and 192	1788

Table 4a – FIPS Approved Cryptographic Functions

The Module supports only NIST defined curves for use with ECDSA and ECC CDH.

Digi ConnectCore Security Module - FIPS 140-2 Security Policy

Category	Algorithm	Description
Key Agreement	EC DH	Non-compliant (untested) DH scheme using elliptic curve, supporting all NIST defined B, K and P curves. Key agreement is a service provided for calling process use, but is not used to establish keys into the Module.
Key Encryption, Decryption	RSA	The RSA algorithm may be used by the calling application for encryption or decryption of keys. No claim is made for SP 800-56B compliance, and no CSPs are established into or exported out of the module using these services.

Table 4b – Non-FIPS Approved But Allowed Cryptographic Functions

The Module implements the following services which are Non-Approved per the SP 800-131A transition:

Function	Algorithm	Options	Cert #
Random Number Generation; Symmetric key generation	[ANS X9.31] RNG	AES 128/192/256	
Random Number Generation; Symmetric key generation	[SP 800-90] DRBG	Dual EC DRBG (note the Dual EC DRBG algorithm shall not be used in the FIPS Approved mode of operation)	
Digital Signature and Asymmetric Key Generation	[FIPS 186-2] RSA	GenKey9.31, SigGen9.31, SigGenPKCS1.5, SigGenPSS (1024/1536 with all SHA sizes, 2048/3072/4096 with SHA-1)	
	[FIPS 186-2] DSA	PQG Gen, Key Pair Gen, Sig Gen (1024 with all SHA sizes, 2048/3072 with SHA-1)	
	[FIPS 186-4] DSA	PQG Gen, Key Pair Gen, Sig Gen (1024 with all SHA sizes, 2048/3072 with SHA-1)	
	[FIPS 186-2] ECDSA	PKG: CURVES(P-192 K-163 B-163) SIG(gen): CURVES(P-192 P-224 P-256 P-384 P-521 K-163 K-233 K-283 K-409 K-571 B-163 B-233 B-283 B-409 B-571)	
	[FIPS 186-4] ECDSA	PKG: CURVES(P-192 K-163 B-163) SigGen: CURVES(P-192: (SHA-1, 224, 256, 384, 512) P-224:(SHA-1) P-256:(SHA-1) P-384: (SHA-1) P-521:(SHA-1) K-163: (SHA-1, 224, 256, 384, 512) K-233:(SHA-1) K-283:(SHA-1) K-409:(SHA-1) K-571:(SHA-1) B-163: (SHA-1, 224, 256, 384, 512) B-233:(SHA-1) B-283: (SHA-1) B-409:(SHA-1) B-571:(SHA-1))	

ECC CDH (CVL)	[SP 800-56A] (§5.7.1.2)	All NIST Recommended B, K and P curves sizes 163 and 192	
---------------	-------------------------	---	--

Table 4c – FIPS Non-Approved Cryptographic Functions

X9.31 RNG is Non-Approved effective December 31, 2015, per the CMVP Notice "X9.31 RNG transition, December 31, 2015".

These algorithms shall not be used when operating in the FIPS Approved mode of operation.

EC DH Key Agreement provides a maximum of 256 bits of security strength. RSA Key Wrapping provides a maximum of 256 bits of security strength.

The Module requires an initialization sequence (see IG 9.5): the calling application invokes `FIPS_mode_set()`², which returns a “1” for success and “0” for failure. If `FIPS_mode_set()` fails then all cryptographic services fail from then on. The application can test to see if FIPS mode has been successfully performed.

The Module is a cryptographic engine library, which can be used only in conjunction with additional software. Aside from the use of the NIST defined elliptic curves as trusted third party domain parameters, all other FIPS 186-3 assurances are outside the scope of the Module, and are the responsibility of the calling process.

4.1 Critical Security Parameters and Public Keys

All CSPs used by the Module are described in this section. All access to these CSPs by Module services are described in Section 4. The CSP names are generic, corresponding to API parameter data structures.

CSP Name	Description
RSA SGK	RSA (1024 to 16384 bits) signature generation key
RSA KDK	RSA (1024 to 16384 bits) key decryption (private key transport) key
DSA SGK	[FIPS 186-4] DSA (1024/2048/3072) signature generation key or [FIPS 186-2] DSA (1024) signature generation key
ECDSA SGK	ECDSA (All NIST defined B, K, and P curves) signature generation key
EC DH Private	EC DH (All NIST defined B, K, and P curves) private key agreement key.
AES EDK	AES (128/192/256) encrypt / decrypt key
AES CMAC	AES (128/192/256) CMAC generate / verify key
AES GCM	AES (128/192/256) encrypt / decrypt / generate / verify key
AES XTS	AES (256/512) XTS encrypt / decrypt key
TDES EDK	TDES (3-Key) encrypt / decrypt key

2 The function call in the Module is `FIPS_module_mode_set()` which is typically used by an application via the `FIPS_mode_set()` wrapper function.

Digi ConnectCore Security Module - FIPS 140-2 Security Policy

TDES CMAC	TDES (3-Key) CMAC generate / verify key
HMAC Key	Keyed hash key (160/224/256/384/512)
Hash_DRBG CSPs	V (440/888 bits) and C (440/888 bits), entropy input (length dependent on security strength)
HMAC_DRBG CSPs	V (160/224/256/384/512 bits) and Key (160/224/256/384/512 bits), entropy input (length dependent on security strength)
CTR_DRBG CSPs	V (128 bits) and Key (AES 128/192/256), entropy input (length dependent on security strength)
CO-AD-Digest	Pre-calculated HMAC-SHA-1 digest used for Crypto Officer role authentication
User-AD-Digest	Pre-calculated HMAC-SHA-1 digest used for User role authentication

Table 4.1a – Critical Security Parameters

Authentication data is loaded into the module during the module build process, performed by an authorized operator (Crypto Officer), and otherwise cannot be accessed.

The module does not output intermediate key generation values.

CSP Name	Description
RSA SVK	RSA (1024 to 16384 bits) signature verification public key
RSA KEK	RSA (1024 to 16384 bits) key encryption (public key transport) key
DSA SVK	[FIPS 186-4] DSA (1024/2048/3072) signature verification key or [FIPS 186-2] DSA (1024) signature verification key
ECDSA SVK	ECDSA (All NIST defined B, K and P curves) signature verification key
EC DH Public	EC DH (All NIST defined B, K and P curves) public key agreement key.

Table 4.1b – Public Keys

For all CSPs and Public Keys:

Storage: RAM, associated to entities by memory location. The Module stores DRBG state values for the lifetime of the DRBG instance. The module uses CSPs passed in by the calling application on the stack. The Module does not store any CSP persistently (beyond the lifetime of an API call), with the exception of DRBG state values used for the Modules' default key generation service.

Generation: The Module implements SP 800-90 compliant DRBG services for creation of symmetric keys, and for generation of DSA, elliptic curve, and RSA keys as shown in Table 4a. The calling application is responsible for storage of generated keys returned by the module.

Entry: All CSPs enter the Module's logical boundary in plaintext as API parameters, associated by memory location. However, none cross the physical boundary.

Output: The Module does not output CSPs, other than as explicit results of key generation services. However, none cross the physical boundary.

Destruction: Zeroization of sensitive data is performed automatically by API function calls for temporarily stored CSPs. In addition, the module provides functions to explicitly destroy CSPs related to random number generation services. The calling application is responsible for parameters passed in and out of the module.

Private and secret keys as well as seeds and entropy input are provided to the Module by the calling application, and are destroyed when released by the appropriate API function calls. Keys residing in internally allocated data structures (during the lifetime of an API call) can only be accessed using the Module defined API. The operating system protects memory and process space from unauthorized access. Only the calling application that creates or imports keys can use or export such keys. All API functions are executed by the invoking calling application in a non-overlapping sequence such that no two API functions will execute concurrently. An authorized application as user (Crypto-Officer and User) has access to all key data generated during the operation of the Module.

In the event Module power is lost and restored the calling application must ensure that any AES-GCM keys used for encryption or decryption are re-distributed.

Module users (the calling applications) shall use entropy sources that meet the security strength required for the random number generation mechanism as shown in [SP 800-90] Table 2 (Hash_DRBG, HMAC_DRBG), Table 3 (CTR_DRBG) and Table 4 (Dual_EC_DRBG). This entropy is supplied by means of callback functions. Those functions must return an error if the minimum entropy strength cannot be met.

5 Roles, Authentication and Services

The Module implements the required User and Crypto Officer roles and requires authentication for those roles. Only one role may be active at a time and the Module does not allow concurrent operators. The User or Crypto Officer role is assumed by passing the appropriate password to the `FIPS_module_mode_set()` function. The password values may be specified at build time and must have a minimum length of 16 characters. Any attempt to authenticate with an invalid password will result in an immediate and permanent failure condition rendering the Module unable to enter the FIPS mode of operation, even with subsequent use of a correct password.

Authentication data is loaded into the Module during the Module build process, performed by the Crypto Officer, and otherwise cannot be accessed.

Since minimum password length is 16 characters, the probability of a random successful authentication attempt in one try is a maximum of $1/256^{16}$, or less than $1/10^{38}$. The Module permanently disables further authentication attempts after a single failure, so this probability is independent of time.

Both roles have access to all of the services provided by the Module.

- User Role (User): Loading the Module and calling any of the API functions.
- Crypto Officer Role (CO): Installation of the Module on the host computer system and calling of any API functions.

All services implemented by the Module are listed below, along with a description of service CSP access.

Service	Role	Description
Initialize	User, CO	Module initialization. Does not access CSPs.
Self-test	User, CO	Perform self tests (<code>FIPS_selftest</code>). Does not access CSPs.
Show status	User, CO	Functions that provide module status information: <ul style="list-style-type: none"> • Version (as unsigned long or const char *) • FIPS Mode (Boolean) Does not access CSPs.
Zeroize	User, CO	Functions that destroy CSPs: <ul style="list-style-type: none"> • <code>fips_drbg_uninstantiate</code>: for a given DRBG context, overwrites DRBG CSPs (Hash_DRBG CSPs, HMAC_DRBG CSPs, CTR_DRBG CSPs) All other services automatically overwrite CSPs stored in allocated memory. Stack cleanup is the responsibility of the calling application.
Random	User, CO	Used for random number and symmetric key generation.

Digi ConnectCore Security Module - FIPS 140-2 Security Policy

Service	Role	Description
number generation		<ul style="list-style-type: none"> Seed or reseed a DRBG instance Determine security strength of a DRBG instance Obtain random data Uses and updates Hash_DRBG CSPs, HMAC_DRBG CSPs, CTR_DRBG CSPs.
Asymmetric key generation	User, CO	Used to generate DSA, ECDSA and RSA keys: RSA SGK, RSA SVK; DSA SGK, DSA SVK; ECDSA SGK, ECDSA SVK There is one supported entropy strength for each mechanism and algorithm type, the maximum specified in SP800-90
Symmetric encrypt/decrypt	User, CO	Used to encrypt or decrypt data. Executes using AES EDK, TDES EDK (passed in by the calling process).
Symmetric digest	User, CO	Used to generate or verify data integrity with CMAC. Executes using AES CMAC, TDES, CMAC (passed in by the calling process).
Message digest	User, CO	Used to generate a SHA-1 or SHA-2 message digest. Does not access CSPs.
Keyed Hash	User, CO	Used to generate or verify data integrity with HMAC. Executes using HMAC Key (passed in by the calling process).
Key transport ³	User, CO	Used to encrypt or decrypt a key value on behalf of the calling process (does not establish keys into the module). Executes using RSA KDK, RSA KEK (passed in by the calling process).
Key agreement	User, CO	Used to perform key agreement primitives on behalf of the calling process (does not establish keys into the module). Executes using EC DH Private, EC DH Public (passed in by the calling process).
Digital signature	User, CO	Used to generate or verify RSA, DSA or ECDSA digital signatures. Executes using RSA SGK, RSA SVK; DSA SGK, DSA SVK; ECDSA SGK, ECDSA SVK (passed in by the calling process).
Utility	User, CO	Miscellaneous helper functions. Does not access CSPs.

Table 5 - Services and CSP Access

³ "Key transport" can refer to a) moving keys in and out of the module or b) the use of keys by an external application. The latter definition is the one that applies to the *Digi ConnectCore Security Module*.

6 Self-test

The Module performs the self-tests listed below on invocation of Initialize or Self-test.

Algorithm	Type	Test Attributes
Software integrity	KAT	HMAC-SHA1
HMAC	KAT	One KAT per SHA1, SHA224, SHA256, SHA384 and SHA512 Per IG 9.3, this testing covers SHA POST requirements.
AES	KAT	Separate encrypt and decrypt, ECB mode, 128 bit key length
AES CCM	KAT	Separate encrypt and decrypt, 192 key length
AES GCM	KAT	Separate encrypt and decrypt, 256 key length
XTS-AES	KAT	128, 256 bit key sizes to support either the 256-bit key size (for XTS-AES-128) or the 512-bit key size (for XTS-AES-256)
AES CMAC	KAT	Sign and verify CBC mode, 128, 192, 256 key lengths
TDES	KAT	Separate encrypt and decrypt, ECB mode, 3-Key
TDES CMAC	KAT	CMAC generate and verify, CBC mode, 3-Key
RSA	KAT	Sign and verify using 2048 bit key, SHA-256, PKCS#1
DSA	PCT	Sign and verify using 2048 bit key, SHA-384
DRBG	KAT	CTR_DRBG: AES, 256 bit with and without derivation function HASH_DRBG: SHA256 HMAC_DRBG: SHA256 Dual_EC_DRBG: P-256 and SHA256
ECDSA	PCT	Keygen, sign, verify using P-224, K-233 and SHA512. The K-233 self-test is not performed for operational environments that support prime curve only (see Table 2.1).
ECC CDH	KAT	Shared secret calculation per SP 800-56A §5.7.1.2, IG 9.6

Table 6a - Power On Self Tests (KAT = Known answer test; PCT = Pairwise consistency test)

The Module is installed using the set of instructions in Appendix A, as appropriate for the target system. The HMAC-SHA-1 of the Module distribution file as tested by the CMT Laboratory and listed in Appendix A is verified during installation of the Module file as described in Appendix A.

The `FIPS_mode_set()`⁴ function performs all power-up self-tests listed above with no operator intervention required, returning a “1” if all power-up self-tests succeed, and a “0” otherwise. If any component of the power-up self-test fails an internal flag is set to prevent subsequent

⁴ `FIPS_mode_set()` calls Module function `FIPS_module_mode_set()`

invocation of any cryptographic function calls. The module will only enter the FIPS Approved mode if the module is reloaded and the call to `FIPS_mode_set()`⁴ succeeds.

The power-up self-tests may also be performed on-demand by calling `FIPS_selftest()`, which returns a “1” for success and “0” for failure. Interpretation of this return code is the responsibility of the calling application.

The Module also implements the following conditional tests:

Algorithm	Test
DRBG	Tested as required by [SP800-90] Section 11
DRBG	FIPS 140-2 continuous test for stuck fault
DSA	Pairwise consistency test on each generation of a key pair
ECDSA	Pairwise consistency test on each generation of a key pair
RSA	Pairwise consistency test on each generation of a key pair

Table 6b - Conditional Tests

In the event of a DRBG self-test failure the calling application must uninstantiate and re-instantiate the DRBG per the requirements of [SP 800-90]; this is not something the Module can do itself.

Pairwise consistency tests are performed for both possible modes of use, e.g. Sign/Verify and Encrypt/Decrypt.

7 Operational Environment

The tested operating systems segregate user processes into separate process spaces. Each process space is logically separated from all other processes by the operating system software and hardware. The Module functions entirely within the process space of the calling application, and implicitly satisfies the FIPS 140-2 requirement for a single user mode of operation.

8 Mitigation of other Attacks

The module is not designed to mitigate against attacks which are outside of the scope of FIPS 140-2.

Appendix A Installation and Usage Guidance

The build and target systems may be the same type of system or even the same device, or may be different systems – the Module supports cross-compilation environments.

Each of these command sets are relative to the top of the directory containing the uncompressed and expanded contents of the distribution files *digi-fips-1.0.tar.gz*. The command sets are:

```
./config
make
make install
```

Installation instructions

1. Download and copy the distribution file to the build system.
2. Verify the HMAC-SHA-1 digest of the distribution file; see Appendix B. An independently acquired FIPS 140-2 validated implementation of SHA-1 HMAC must be used for this digest verification. Note that this verification can be performed on any convenient system and not necessarily on the specific build or target system.

3. Unpack the distribution

```
gunzip -c digi-fips-1.0.tar.gz | tar xf -
```

4. Execute the installation command sets as shown above. No other command sets shall be used.
5. The resulting *fipscanister.o* file is now available for use.
6. The calling application enables FIPS mode by calling the `FIPS_mode_set()`⁵ function.

Note that failure to use one of the specified commands sets exactly as shown will result in a module that cannot be considered compliant with FIPS 140-2.

Linking the Runtime Executable Application

Note that applications interfacing with the Module are outside of the cryptographic boundary. When linking the application with the Module two steps are necessary:

1. The HMAC-SHA-1 digest of the Module file must be calculated and verified against the installed digest to ensure the integrity of the Module.

⁵ `FIPS_mode_set()` calls the Module function `FIPS_module_mode_set()`

2. A HMAC-SHA1 digest of the Module must be generated and embedded in the Module for use by the `FIPS_mode_set()`⁵ function at runtime initialization.

The `fips_standalone_shal` command can be used to perform the verification of the Module and to generate the new HMAC-SHA-1 digest for the runtime executable application. Failure to embed the digest in the executable object will prevent initialization of FIPS mode.

At runtime the `FIPS_mode_set()`⁵ function compares the embedded HMAC-SHA-1 digest with a digest generated from the Module object code. This digest is the final link in the chain of validation from the original source to the runtime executable application file.

Appendix B Controlled Distribution File Fingerprint

The *Digi ConnectCore Security Module* v1.0 consists of the Module (the *fipscanister.o* contiguous unit of binary object code) generated from the specific source files.

The source files are in the specific special distribution file *digi-fips-1.0.tar.gz* with HMAC-SHA-1 digest of

e8dbfa6cb9e22a049ec625ffb7ccaf33e6116598

The distribution is obtained by directly contacting Digi International, Inc.

The set of files specified in this tar file constitutes the complete set of source files of this module. There shall be no additions, deletions, or alterations of this set as used during module build. The distribution file (and patch file if used) shall be verified using the above HMAC-SHA-1 digest.

Appendix C Compilers

This appendix lists the specific compilers used to generate the Module for the respective Operational Environments. Note this list does not imply that use of the Module is restricted to only the listed compiler versions, only that the use of other versions has not been confirmed to produce a correct result.

#	Operational Environment	Compiler
1	Yocto Linux 2.4	gcc 7.3.0
2	Yocto Linux 2.4	gcc 7.3.0

Table C - Compilers