



Amazon Linux 2 GnuTLS Cryptographic Module

Module Version: 1.0

FIPS 140-2 Non-Proprietary Security Policy

Document Version: 1.4

Document Date: 2023-10-11

Prepared by:

atsec information security corporation

9130 Jollyville Road, Suite 260

Austin, TX 78759

www.atsec.com

Table of Contents

1	Introduction	6
1.1	Purpose of the Security Policy	6
1.2	Target Audience	6
1.3	How this Security Policy was Prepared	6
2	Cryptographic Module Specification	7
2.1	Module Overview.....	7
2.2	FIPS 140-2 Validation Scope	7
2.3	Definition of the Cryptographic Module	7
2.4	Definition of the Physical Cryptographic Boundary	9
2.5	Tested Operational Environments	10
2.6	Modes of Operation.....	10
3	Module Ports and Interfaces	12
4	Roles, Services and Authentication	13
4.1	Roles.....	13
4.2	Services	13
4.2.1	Services in the FIPS-Approved Mode of Operation	13
4.2.2	Services in the Non-FIPS-Approved Mode of Operation	15
4.3	Algorithms.....	17
4.3.1	FIPS-Approved Algorithms.....	17
4.3.2	Non-Approved-but-Allowed Algorithms.....	23
4.3.3	Non-Approved Algorithms	23
4.4	Operator Authentication	24
5	Physical Security	25
6	Operational Environment.....	26
6.1	Applicability	26
6.2	Policy	26
7	Cryptographic Key Management	27
7.1	Random Number Generation.....	29
7.2	Key Generation	29
7.3	Key Entry and Output.....	29
7.4	Key/CSP Storage	29
7.5	Key/CSP Zeroization	29
7.6	Key Establishment.....	30
7.7	Handling of Keys and CSPs between Modes of Operation	30
8	Electromagnetic Interference/Electromagnetic Compatibility (EMI/EMC)	31
9	Self-Tests.....	32

9.1	Power-on Self-Tests.....	32
9.2	Conditional Self-Tests.....	33
9.3	On-Demand self-tests.....	33
10	Guidance.....	34
10.1	Crypto-Officer Guidance	34
10.2	User Guidance.....	35
10.2.1	AES GCM IV.....	35
10.2.2	Triple-DES Data Encryption	35
10.2.3	Key Usage and Management.....	35
10.3	Handling Self-Test Errors.....	35
11	Mitigation of Other Attacks.....	37
12	Acronyms, Terms and Abbreviations	38
13	References.....	39

List of Tables

Table 1: FIPS 140-2 Security Requirements.	7
Table 2: Components of the module.	8
Table 3: Tested operational environments.	10
Table 4: Ports and interfaces.	12
Table 5: Services in the FIPS-approved mode of operation.	13
Table 6: Services in the non-FIPS approved mode of operation.	15
Table 7: FIPS-approved cryptographic algorithms.	17
Table 8: Non-Approved-but-allowed cryptographic algorithms.	23
Table 9: Non-FIPS approved cryptographic algorithms.	23
Table 10: Lifecycle of public keys, secret/private keys and other Critical Security Parameters (CSPs).	27
Table 11: Self-tests.	32
Table 12: Conditional self-tests.	33
Table 13: Error events, codes and messages.	36

List of Figures

Figure 1: Logical cryptographic boundary.	9
Figure 2: Hardware block diagram.	10

Copyrights and Trademarks

Amazon is a registered trademark of Amazon Web Services, Inc. or its affiliates.

1 Introduction

This document is the non-proprietary FIPS 140-2 Security Policy for version 1.0 of the Amazon Linux 2 GnuTLS Cryptographic Module. It contains the security rules under which the module must be operated and describes how this module meets the requirements as specified in FIPS 140-2 (Federal Information Processing Standards Publication 140-2) for a Security Level 1 module.

1.1 Purpose of the Security Policy

There are three major reasons that a security policy is needed:

- It is required for FIPS 140 2 validation,
- It allows individuals and organizations to determine whether a cryptographic module, as implemented, satisfies the stated security policy, and
- It describes the capabilities, protection and access rights provided by the cryptographic module, allowing individuals and organizations to determine whether it will meet their security requirements.

1.2 Target Audience

This document is part of the package of documents that are submitted for FIPS 140 2 conformance validation of the module. It is intended for the following audience:

- Developers.
- FIPS 140-2 testing lab.
- The Cryptographic Module Validation Program (CMVP).
- Customers using or considering integration of Amazon Linux 2 GnuTLS Cryptographic Module.

1.3 How this Security Policy was Prepared

The vendor has provided the non-proprietary Security Policy of the cryptographic module, which was further consolidated into this document by atsec information security together with other vendor-supplied documentation. In preparing the Security Policy document, the laboratory formatted the vendor-supplied documentation for consolidation without altering the technical statements therein contained. The further refining of the Security Policy document was conducted iteratively throughout the conformance testing, wherein the Security Policy was submitted to the vendor, who would then edit, modify, and add technical contents. The vendor would also supply additional documentation, which the laboratory formatted into the existing Security Policy, and resubmitted to the vendor for their final editing.

2 Cryptographic Module Specification

2.1 Module Overview

The Amazon Linux 2 GnuTLS Cryptographic Module (hereafter referred to as the “module”) is a set of libraries implementing general purpose network protocols and FIPS 140-2 Approved cryptographic algorithms. The module supports the Transport Layer Security (TLS) Protocol defined in [RFC5246] and the Datagram Transport Layer Security (DTLS) Protocol defined in [RFC4347]. The module provides a C language Application Program Interface (API) for use by other calling applications that require cryptographic functionality, or TLS/DTLS network protocols to provide secure communication with other peers through the network.

2.2 FIPS 140-2 Validation Scope

Table 1 shows the security level claimed for each of the eleven sections that comprise the FIPS 140-2 standard.

Table 1: FIPS 140-2 Security Requirements.

Security Requirements Section		Level
1	Cryptographic Module Specification	1
2	Cryptographic Module Ports and Interfaces	1
3	Roles and Services and Authentication	1
4	Finite State Machine Model	1
5	Physical Security	N/A
6	Operational Environment	1
7	Cryptographic Key Management	1
8	EMI/EMC	1
9	Self-Tests	1
10	Design Assurance	1
11	Mitigation of Other Attacks	1
Overall Level		1

2.3 Definition of the Cryptographic Module

The Amazon Linux 2 GnuTLS Cryptographic Module is defined as a Software, Multi-chip Standalone module per the requirements within FIPS 140-2. The logical cryptographic boundary of the module consists of shared library files and their integrity test HMAC files, which are delivered through the Amazon Linux 2 yum core repositories (ID amz2-core/2/x86_64 and amzn2-core/2/aarch64) from the following RPM files:

x86_64:

- gnutls-3.3.29-9.amzn2.x86_64.rpm
- nettle-2.7.1-8.amzn2.0.2.x86_64.rpm
- gmp-6.0.0-15.amzn2.0.2.x86_64.rpm

aarch64:

- gnutls-3.3.29-9.amzn2.aarch64
- nettle-2.7.1-8.amzn2.0.2.aarch64

- gmp-6.0.0-15.amzn2.0.2.aarch64

Table 2 summarizes the components of the cryptographic module.

Table 2: Components of the module.

Component	Description
/usr/lib64/libgnutls.so.28.43.3	This library provides the main interface that allows the calling applications to request cryptographic services. The cryptographic algorithm implementations provided by this library include the TLS protocol, DRBG, RSA key generation, Diffie-Hellman and EC Diffie-Hellman.
/usr/lib64/libnettle.so.4.7	This library provides cryptographic algorithm implementations such as AES, Triple-DES, SHA2, HMAC, RSA Digital Signature, DSA and ECDSA.
/usr/lib64/libhogweed.so.2.5	This library includes the primitives used by libgnutls and libnettle to support the asymmetric cryptographic operations.
/usr/lib64/libgmp.so.10.2.0	This library provides the big number arithmetic operations to support the asymmetric cryptographic operations.
/usr/lib64/.libgnutls.so.28.43.3.hmac	HMAC-SHA2-256 value of the associated library for integrity check during the power-on.
/usr/lib64/.libnettle.so.4.7.hmac	HMAC-SHA2-256 value of the associated library for integrity check during the power-on.
/usr/lib64/.libhogweed.so.2.5.hmac	HMAC-SHA2-256 value of the associated library for integrity check during the power-on.
/usr/lib64/fipscheck/libgmp.so.10.2.0.hmac	HMAC-SHA2-256 value of the associated library for integrity check during the power-on.

Figure 1 shows the logical block diagram of the module executing in memory on the host system. The logical cryptographic boundary is indicated with a dashed colored box.

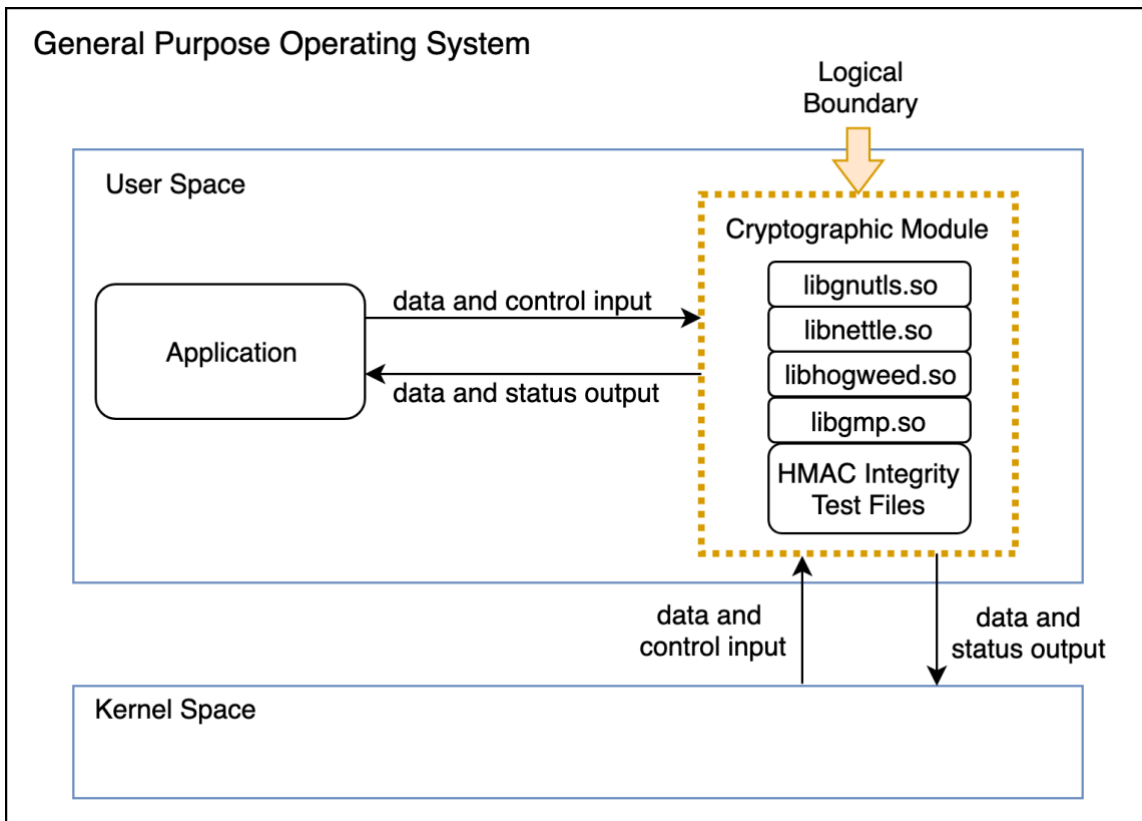


Figure 1: Logical cryptographic boundary.

2.4 Definition of the Physical Cryptographic Boundary

The physical cryptographic boundary of the module is defined as the hard enclosure of the host system on which the module runs. Figure 2 depicts the hardware block diagram. The physical hard enclosure is indicated by the dashed colored line. No components are excluded from the requirements of FIPS 140-2.

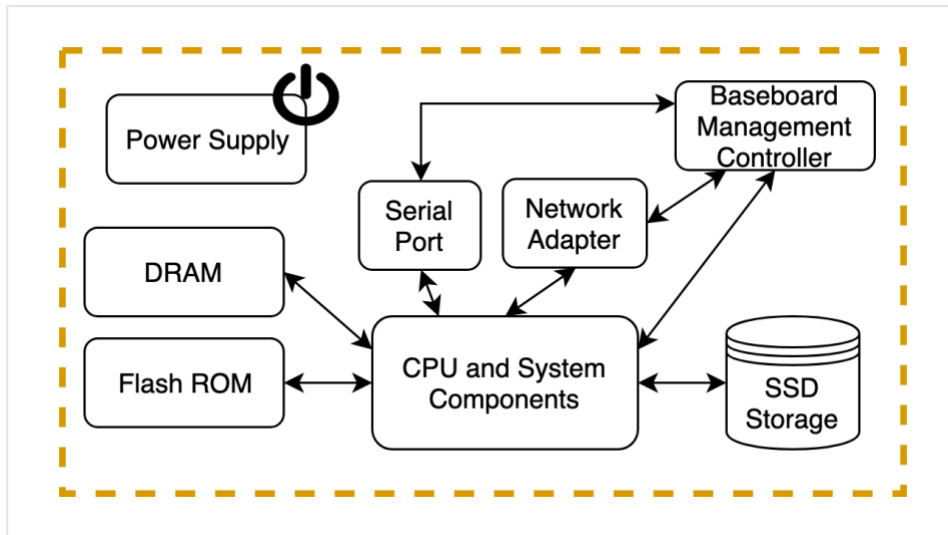


Figure 2: Hardware block diagram.

2.5 Tested Operational Environments

The module was tested on the environments/platforms listed in Table 3. The tested operational environment was controlled and the laboratory had full and exclusive access to the environment and module during the testing procedures.

Table 3: Tested operational environments.

Operating System	Processor	Hardware
Amazon Linux 2	Intel ® Xeon ® E5 (Broadwell) x86_64bit with PAA (i.e., AES-NI)	Amazon EC2 i3.metal 512 GiB system memory 13.6 TiB SSD storage + 8 GiB SSD boot disk 25 Gbps Elastic Network Adapter
Amazon Linux 2	Intel ® Xeon ® E5 (Broadwell) x86_64bit without PAA (i.e., AES-NI)	Amazon EC2 i3.metal 512 GiB system memory 13.6 TiB SSD storage + 8 GiB SSD boot disk 25 Gbps Elastic Network Adapter
Amazon Linux 2	Graviton 2 aarch64 bit with PAA (i.e., Neon and Crypto Extension (CE))	Amazon EC2 c6g.metal 128 GiB system memory 200 GiB SSD storage 25 Gbps Elastic Network Adapter
Amazon Linux 2	Graviton 2 aarch64 bit without PAA (i.e., Neon and Crypto Extension (CE))	Amazon EC2 c6g.metal 128 GiB system memory 200 GiB SSD storage 25 Gbps Elastic Network Adapter

2.6 Modes of Operation

The module supports two modes of operation.

- In "**FIPS mode**" (the Approved mode of operation), only approved or allowed security functions with sufficient security strength are offered by the module.

© 2023 Amazon Web Services, Inc.; atsec information security.

This document can be reproduced and distributed only whole and intact, including this copyright notice.

- In "**non-FIPS mode**" (the non-Approved mode of operation), non-approved security functions are offered by the module.

The module enters the operational mode after Power-On Self-Tests (POST) succeed. Once the module is operational, the mode of operation is implicitly assumed depending on the security function invoked and the security strength¹ of the cryptographic keys/curves chosen for the function or service.

If the POST or the Conditional Tests fail (Section 9), the module goes into the error state. The status of the module can be determined by the availability of the module. If the module is available, then it had passed all self-tests. If the module is unavailable, it is because any self-test failed, and the module has transitioned to the error state.

Keys and Critical Security Parameters (CSPs) used or stored in FIPS mode shall not be used in non-FIPS mode, and vice versa.

¹ See Section 5.6.1 in [SP800-57] for a definition of "security strength".

3 Module Ports and Interfaces

As a Software module, the module does not have physical ports. The operator can only interact with the module through the API provided by the module. Thus, the physical ports within the physical boundary are interpreted to be the physical ports of the hardware platform on which the module runs and are directed through the logical interfaces provided by the software.

The logical interfaces are the API through which applications request services and receive output data through return values or modified data referenced by pointers. Table 4 summarizes the logical interfaces and the power input.

Table 4: Ports and interfaces.

Logical Interface	Description
Data Input	API input parameters for data.
Data Output	API output parameters for data.
Control Input	API function calls.
Status Output	API return codes, error message.

4 Roles, Services and Authentication

4.1 Roles

The module supports the following roles:

- **User role:** performs all services (in both FIPS mode and non-FIPS mode of operation), except module installation and configuration. This role is assumed by the calling application accessing the module.
- **Crypto Officer role:** performs module installation and configuration.

The User and Crypto Officer roles are implicitly assumed depending on the service requested.

4.2 Services

The module provides services to calling applications that assume the user role, and human users assuming the Crypto Officer role. Table 5 and Table 6 depict all services, which are described with more detail in the user documentation.

The tables use the following convention when specifying the access permissions that the module has for each CSP or key.

- **Create (C):** the calling application can create a new CSP.
- **Read (R):** the calling application can read the CSP.
- **Update (U):** the calling application can write a new value to the CSP.
- **Zeroize (Z):** the calling application can zeroize the CSP.
- **N/A:** the calling application does not access any CSP or key during its operation.

For the “Role” column, U indicates the User role, and CO indicates the Crypto Officer role. A checkmark symbol marks which role has access to that service.

4.2.1 Services in the FIPS-Approved Mode of Operation

Table 5 provides a full description of FIPS Approved services and the non-Approved but Allowed services provided by the module in the FIPS-approved mode of operation and lists the roles allowed to invoke each service.

Table 5: Services in the FIPS-approved mode of operation.

Service	Service Description and Algorithms	Role		Keys and CSPs	Access Types
		U	CO		
Symmetric Encryption/Decryption	Encrypts or decrypts a block of data using AES or Triple-DES.	✓		AES or Triple-DES Key	R
RSA Key Generation	Generate RSA asymmetric keys.	✓		RSA public/private keys	C, R, U
DSA Key Generation	Generate DSA asymmetric keys.	✓		DSA public/private keys	C, R, U
ECDSA Key Generation	Generate ECDSA asymmetric keys.	✓		ECDSA public/private keys	C, R, U
RSA Digital Signature Generation and Verification	Sign and verify signature operations for RSA PKCS#1v1.5 and X9.31.	✓		RSA public/private keys	R

Service	Service Description and Algorithms	Role		Keys and CSPs	Access Types
		U	C O		
DSA Digital Signature Generation and Verification	Sign and verify signature operations for DSA.	✓		DSA public/private keys	R
ECDSA Digital Signature Generation and Verification	Sign and verify signature for ECDSA.	✓		ECDSA public/private keys	R
RSA Public Key Verification	Verify validity of an RSA public key.	✓		RSA public key	R
DSA Public Key Verification	Verify validity of a DSA public key.	✓		DSA public key	R
ECDSA Public Key Verification	Verify validity of an ECDSA public key.	✓		ECDSA public key	R
TLS Network Protocol v1.0, v1.1, v1.2	Provide data encryption and authentication over TLS network protocol. Ciphersuites composed exclusively of algorithms listed in Table 7 or Table 9.	✓		AES key Triple-DES key HMAC key Pre-master secret Master secret RSA, DSA, ECDSA public/private keys	C, R, U
TLS Key Derivation	Establish a TLS secure channel. KDF in TLS v1.0/1.1, TLS v1.2.	✓		Pre-master secret, master secret, derived keys (AES, Triple-DES, HMAC), KDF internal state	C, R, U
Key Wrapping	Wrapping/unwrapping a key using RSA encrypt/decrypt primitives.	✓		RSA public/private keys	R
Certificate Management	X.509 certificate handling (digital signature, key and certificate import and export).	✓		RSA, DSA, and ECDSA public/private keys associated to an X.509 certificate	R, U
Message Authentication Code (MAC)	Authenticate and verify authentication of data using HMAC-SHA-1, HMAC-SHA2-224, HMAC-SHA2-256, HMAC-SHA2-384, HMAC-SHA2-512.	✓		HMAC Key	R
	AES-GMAC with AES-128, AES-256	✓		AES key	R
Message Digest	Hash a block of data with SHS (SHA-1, SHA2-224, SHA2-256, SHA2-384, SHA2-512).	✓		None	N/A

Service	Service Description and Algorithms	Role		Keys and CSPs	Access Types
		U	C O		
Random Number Generation	Generate random numbers based on the SP 800-90A DRBG.	✓		Entropy input string and internal state	C, R, U
Other FIPS-related Services					
Show Status	Show status of the module state	✓		None	N/A
Self-Test	Initiate power-on self-tests	✓		None	N/A
Zeroization	Zeroize all critical security parameters	✓		All keys and CSPs	Z
Module Installation	Installation of the module		✓	None	N/A
Module Configuration	Configuration of the module		✓	None	N/A

4.2.2 Services in the Non-FIPS-Approved Mode of Operation

Table 6 presents the services only available in non-FIPS-approved mode of operation.

Table 6: Services in the non-FIPS approved mode of operation.

Service	Service Description and Algorithms	Role		Keys	Access Types
		U	C O		
RSA key wrapping	Encrypt or decrypt using RSA key sizes not listed in Table 7 or Table 9.	✓		RSA key pair	R
Symmetric Encryption/Decryption	Encrypt or decrypt using symmetric algorithms not listed in Table 7.	✓		Blowfish, Camellia, CAST-128, DES, RC2, RC4, Salsa-20, Serpent, Twofish keys	R
Digital Signature Generation and Verification	Sign or verify operations with RSA, DSA, ECDSA key sizes and elliptic curves not listed in Table 7 or Table 9; signature generation with SHA-1.	✓		RSA, DSA, ECDSA key pairs	C, R, U
TLS Key Agreement	Negotiate a TLS key agreement to establish a secure channel with key sizes or curves not listed in Table 7 or Table 9.	✓		RSA, Diffie-Hellman, EC Diffie-Hellman key pairs, pre-master secret, master secret, derived keys (AES, Triple-DES, HMAC, and other algorithms in Table 10), KDF internal state	C, R, U

Service	Service Description and Algorithms	Role		Keys	Access Types
		U	C O		
TLS Network Protocol v1.0, v1.1, v1.2	Provide data encryption and authentication over TLS network protocol. Ciphersuites composed of any algorithms <i>not</i> listed in Table 7 or Table 9.	✓		AES key Triple-DES key HMAC key Pre-master secret Master secret Diffie-Hellman public/private key pair EC Diffie-Hellman public/private key pair RSA, DSA, ECDSA public/private keys	C, R, U
Diffie-Hellman Key Agreement	Establish a shared secret.	✓		Diffie-Hellman key pair	C, R, U
EC Diffie-Hellman Key Agreement	Establish a shared secret.	✓		EC Diffie-Hellman key pair	C, R, U
Asymmetric Key Generation	Generation RSA, DSA, ECDSA keys in sizes no listed in Table 7 and not compliant with FIPS 186-4.	✓		RSA, DSA, ECDSA key pairs	C, R, U
Random Number Generation	Generation of random numbers using the lagged Fibonacci PRNG, Yarrow RNG, and ANSI X9.31 RNG.	✓		Entropy input string and internal state	C, R, U
Message Digest	Hashing using non-Approved hash functions (e.g., GOST, MD2, MD4, MD5, MDC2, RIPEMD160, SHA3, Whirlpool).	✓		n/a	n/a
Message Authentication Code	MAC generation using UMAC, GMAC or HMAC using keys not listed in Table 7.	✓		MAC key	R
Password-Based Key Derivation Function	Key derivation from password using PBKDF2	✓		Derived keys	C, R, U
DANE Certificate Management and Protocol	DNS-based Authentication of Named Entities (DANE) protocol for binding X.509 certificates to DNS names using DNSSEC.	✓		RSA, DSA, ECDSA key pairs.	C, R, U
OpenPGP Certificate Management	OpenPGP certificates within TLS	✓		RSA, DSA, ECDSA key pairs	C, R, U
PKCS#11 Certificate Management	PKCS#11 certificates in GnuTLS	✓		RSA, DSA, ECDSA key pairs	C, R, U

Service	Service Description and Algorithms	Role		Keys	Access Types
		U	C O		
SRTP Protocol Support	Support for SRTP (RFC 5764)	✓		AES, HMAC keys	C, R, U
Trusted Platform Module Support	Support for TPM 1.2	✓		RSA, DSA, ECDSA key pairs	C, R, U

4.3 Algorithms

The module implements cryptographic algorithms that are used by the services provided by the module. The cryptographic algorithms that are approved to be used in the FIPS mode of operation are tested and validated by the CAVP. No parts of the Transport Layer Security (TLS) protocol have been tested by the CAVP, but for the key derivation function (KDF).

The module supports different AES and SHS implementations based on the underlying platforms' capabilities (per the tested operational environments in Table 3). The module supports the use of AES-NI and SSSE3 from the Intel architecture and NEON and CE from the Graviton 2 architecture.

For the Intel processor, when the AES-NI is enabled in the operating environment, the module performs the AES operations supported by the AES-NI instructions. When the AES-NI is disabled in the operating environment, the module performs the AES operations using the support from the Supplemental Streaming SIMD Extensions 3 (SSSE3). The module also performs SHS operations using the support from the SSSE3. Similarly, for the Graviton 2 processor, when NEON is enabled in the operating environment, the module performs the AES operations supported by the NEON instructions. The module also performs SHS operations using the support from the NEON.

The AES and SHS implementations that use the AES-NI and SSSE3 instructions on Intel and their related algorithms have been tested by CAVS and subjected to functional testing. Although the module offers different implementations for AES and SHS, only one implementation for the respective algorithm will ever be available for AES, SHS and HMAC cryptographic services at run-time.

The AES and SHS implementations that use NEON instructions on Graviton 2 and their related algorithms have been tested by CAVP and subjected to functional testing. Although the module offers different implementations for AES and SHS, only one implementation for the respective algorithm will ever be available for AES, SHS and HMAC cryptographic services at run-time.

Table 7, Table 9, Table 10 and Table 10 present the cryptographic algorithms in specific modes of operation. These tables include the CAVP certificates for different implementations, the algorithm name, respective standards, the available modes and key sizes wherein applicable, and usage. Information from certain columns may be applicable to more than one row.

4.3.1 FIPS-Approved Algorithms

Table 7 lists the cryptographic algorithms that are approved to be used in the FIPS mode of operation on the Intel Xeon E5 platform.

Table 7: FIPS-approved cryptographic algorithms for Intel Xeon E5.

Algorithm	Standard	Mode/Method	Key size	Use	CAVP Cert#
AES	[FIPS197] [SP800-38A]	CBC	128, 192 and 256 bits	Data Encryption and Decryption	# C790 (SSSE3) # C791 (AES-NI) # C792 (C)

Algorithm	Standard	Mode/Method	Key size	Use	CAVP Cert#
	[FIPS197] [SP800-38D]	GCM	128 and 256 bits	Data Encryption and Decryption	
	[FIPS197] [SP800-38D]	GMAC	128 and 256 bits	Message Authentication Code	
DSA	[FIPS 186-4]		L=2048, N=224; L=2048, N=256; L=3072, N=256	Key Pair Generation	# C792 (C)
		SHA2-384 P/Q Generation: Provable G Generation: Canonical	L=2048, N=224; L=2048, N=256; L=3072, N=256	Domain Parameter Generation Domain Parameter Verification	
		SHA2-224, SHA2-256, SHA2-384, SHA2-512	L=2048, N=224	Signature Generation	
		SHA2-256, SHA2-384, SHA2-512	L=2048, N=256; L=3072, N=256		
		SHA2-224, SHA2-256, SHA2-384, SHA2-512	L=1024, N=160, L=2048, N=224	Signature Verification	
		SHA2-256, SHA2-384, SHA2-512	L=2048, N=256; L=3072, N=256		
DRBG	[SP800-90A]	CTR_DRBG AES-256 without DF, without PR	n/a	Random Number Generation	# C792 (C) Prerequisite AES # C789 (Nettle)
ECDSA	[FIPS186-4]	Testing Candidates	P-256, P-384, P-521	Key Pair Generation	# C792 (C)
			P-256, P-384, P-521	Public Key Verification	

Algorithm	Standard	Mode/Method	Key size	Use	CAVP Cert#
		SHA2-224, SHA2-256, SHA2-384, SHA2-512	P-256, P-384, P-521	Signature Generation	
		SHA-1, SHA2-224, SHA2-256, SHA2-384, SHA2-512	P-256, P-384, P-521	Signature Verification	
HMAC	[FIPS198-1]	SHA-1, SHA2-224, SHA2-256, SHA2-384, SHA2-512	112 bits or greater	Message Authenticatio n Code	# C792 (C)
KDF Component in TLS v1.0/1.1 TLS v1.2 (CVL)	[SP800- 135]	SHA2-256, SHA2-384, SHA2-512		Key Derivation	# C792 (C)
RSA	[FIPS186-4]	B.3.2 Provably Primes	2048 and 3072 bits	Key Pair Generation	# C792 (C)
		PKCS#1v1.5 with SHA2-224, SHA2-256, SHA2-384, SHA2-512	2048 and 3072 bits	Digital Signature Generation	
		PKCS#1v1.5 with SHA-1, SHA2-224, SHA2-256, SHA2-384, SHA2-512	1024, 2048, and 3072 bits	Signature Verification	
SHS	[FIPS180-4]	SHA-1, SHA2-224, SHA2-256, SHA2-384, SHA2-512	N/A	Message Digest	# C792 (C) # C790 (SSSE3)
Triple-DES	[SP800-67] [SP800- 38A]	CBC	192 bits	Data Encryption and Decryption	# C792 (C)

Algorithm	Standard	Mode/Method	Key size	Use	CAVP Cert#
KTS	[SP800-38F]	AES-GCM	128, 256 bits	Key Wrapping	# C790 (SSSE3) # C791 (AES-NI) # C792 (C)
	[SP800-38F] [FIPS198-1]	AES-CBC and HMAC	128, 192, 256 bits	Key Wrapping	# C790 (SSSE3) # C791 (AES-NI) # C792 (C)
	[SP800-38F] [FIPS198-1]	Triple-DES-CBC and HMAC	192 bits	Key Wrapping	# C792 (C)
Nettle Library					
AES ²	[FIPS197]	ECB	128, 192 and 256 bits	Data Encryption and Decryption	# C789

Table 8 lists the cryptographic algorithms that are approved to be used in the FIPS mode of operation on the Graviton 2 platform.

Table 8: FIPS-approved cryptographic algorithms for Graviton 2.

Algorithm	Standard	Mode/Method	Key size	Use	CAVP Cert#
AES	[FIPS197] [SP800-38A]	CBC	128, 192 and 256 bits	Data Encryption and Decryption	# A4151 (Generic C) # A4152 (CE)
	[FIPS197] [SP800-38D]	GCM	128 and 256 bits	Data Encryption and Decryption	
	[FIPS197] [SP800-38D]	GMAC	128 and 256 bits	Message Authentication Code	
DSA	[FIPS 186-4]		L=2048, N=224; L=2048, N=256; L=3072, N=256	Key Pair Generation	# A4151 (Generic C)

² This implementation is used internally by the module, but the algorithm is not directly accessible to operators of the module.

Algorithm	Standard	Mode/Method	Key size	Use	CAVP Cert#
		SHA2-384 P/Q Generation: Provable G Generation: Canonical	L=2048, N=224; L=2048, N=256; L=3072, N=256	Domain Parameter Generation Domain Parameter Verification	
		SHA2-224, SHA2-256, SHA2-384, SHA2-512	L=2048, N=224	Signature Generation	
		SHA2-256, SHA2-384, SHA2-512	L=2048, N=256; L=3072, N=256		
		SHA2-224, SHA2-256, SHA2-384, SHA2-512	L=1024, N=160, L=2048, N=224	Signature Verification	
		SHA2-256, SHA2-384, SHA2-512	L=2048, N=256; L=3072, N=256		
DRBG	[SP800-90A]	CTR_DRBG AES-256 without DF, without PR	n/a	Random Number Generation	# A4151 (Generic C)
ECDSA	[FIPS186-4]	Testing Candidates	P-256, P-384, P-521	Key Pair Generation	# A4151 (Generic C)
			P-256, P-384, P-521	Public Key Verification	
		SHA2-224, SHA2-256, SHA2-384, SHA2-512	P-256, P-384, P-521	Signature Generation	
		SHA-1, SHA2-224, SHA2-256, SHA2-384, SHA2-512	P-256, P-384, P-521	Signature Verification	
HMAC	[FIPS198-1]	SHA-1, SHA2-224, SHA2-256, SHA2-384, SHA2-512	112 bits or greater	Message Authentication Code	# A4151 (Generic C) # A4152 (CE)

Algorithm	Standard	Mode/Method	Key size	Use	CAVP Cert#
KDF Component in TLS v1.0/1.1 TLS v1.2 (CVL)	[SP800-135]	SHA2-256, SHA2-384, SHA2-512		Key Derivation	# A4151 (Generic C)
RSA	[FIPS186-4]	B.3.2 Provably Primes	2048 and 3072 bits	Key Pair Generation	# A4151 (Generic C)
		PKCS#1v1.5 with SHA2-224, SHA2-256, SHA2-384, SHA2-512	2048 and 3072 bits	Digital Signature Generation	
		PKCS#1v1.5 with SHA-1, SHA2-224, SHA2-256, SHA2-384, SHA2-512	1024, 2048, and 3072 bits	Signature Verification	
SHS	[FIPS180-4]	SHA-1, SHA2-224, SHA2-256, SHA2-384, SHA2-512	N/A	Message Digest	# A4151 (Generic C) # A4152 (CE)
Triple-DES	[SP800-67] [SP800-38A]	CBC	192 bits	Data Encryption and Decryption	# A4151 (Generic C)
KTS	[SP800-38F]	AES-GCM	128, 256 bits	Key Wrapping	# A4151 (Generic C) # A4152 (CE)
	[SP800-38F] [FIPS198-1]	AES-CBC and HMAC	128, 192, 256 bits	Key Wrapping	# A4151 (Generic C) # A4152 (CE)
	[SP800-38F] [FIPS198-1]	Triple-DES-CBC and HMAC	192 bits	Key Wrapping	# A4151 (Generic C) # A4152 (CE)
Nettle Library					
AES ³	[FIPS197]	ECB	128, 192 and 256 bits	Data Encryption and Decryption	# A4150 (Nettle)

³ This implementation is used internally by the module, but the algorithm is not directly accessible to operators of the module.

4.3.2 Non-Approved-but-Allowed Algorithms

Table 9 lists the non-Approved-but-Allowed cryptographic algorithms provided by the module that are allowed to be used in the FIPS mode of operation.

Table 9: Non-Approved-but-allowed cryptographic algorithms.

Algorithm	Usage
RSA Key Wrapping with key size between 2048 bits and 15360 bits (or more)	Key wrapping, key establishment methodology provides between 112 and 256 bits of encryption strength.
NDRNG	Used for seeding NIST SP 800-90A DRBG.
MD5	Message digest used only in TLS.

4.3.3 Non-Approved Algorithms

Table 10 lists the cryptographic algorithms that are not allowed to be used in the FIPS mode of operation. Use of any of these algorithms (and corresponding services in Table 6) will implicitly switch the module to the non-Approved mode.

Table 10: Non-FIPS approved cryptographic algorithms.

Algorithm	Usage
ANSI X9.31 RNG	Random Number Generation
Blowfish	Encryption/decryption
Camellia	Encryption/decryption
CAST128	Encryption/decryption
DES	Encryption/decryption
Diffie-Hellman	Key agreement, shared secret computation
DSA	Parameter/Key generation/Signature generation with keys not listed in Table 7
EC Diffie-Hellman	Key agreement, shared secret computation
ECDSA	Key generation/Signature generation with curves not listed in Table 7
GOST	GOST Hash R 34.11-94 (RFC4357)
Lagged Fibonacci Pseudo-randomness Generator	Generating random numbers
MD2	Hash function
MD4	Hash function

Algorithm	Usage
MD5	Hash function
MDC2	Hash function
PBKDF2	Password-based key derivation
RC2	Encryption/decryption
RC4	Encryption/decryption
RIPEMD160	Hash function
RSA	Key generation/Signature generation/Signature verification with keys of length not listed in Table 7
Salsa20	Encryption/decryption
Serpent	Encryption/decryption
SHA-1	Signature generation
SHA3	Hash function
Twofish	Encryption/decryption
UMAC	Message authentication code
Whirlpool	Hash function
Yarrow RNG	Random number generation
Digital signature generation and verification with RSA, DSA, ECDSA used in TLS with DH/ECDH key exchange	Digital signature generation and verification with RSA, DSA, ECDSA used in TLS with Diffie-Hellman and EC Diffie-Hellman key exchange

4.4 Operator Authentication

The module does not support operator authentication mechanisms. The role of the operator is implicitly assumed based on the service requested.

5 Physical Security

The module is comprised of software only and thus this Security Policy does not claim any physical security.

6 Operational Environment

6.1 Applicability

The module operates in a modifiable operational environment per FIPS 140-2 Security Level 1 specifications. The module runs on the Amazon Linux 2 operating system executing on the hardware specified in Section 2.5.

6.2 Policy

The operating system is restricted to a single operator mode of operation (i.e., concurrent operators are explicitly excluded by the operating system).

The application that makes calls to the modules is the single user of the modules, even when the application is serving multiple clients.

In operational mode, the `ptrace(2)` system call, the debugger (`gdb(1)`) and `strace(1)` shall not be used. In addition, other tracing mechanisms offered by the Linux environment, such as `ftrace` or `systemtap`, shall not be used.

7 Cryptographic Key Management

Table 11 summarizes the public keys, secret/private keys and other CSPs that are used by the cryptographic services implemented in the module. The table describes the use of each key/CSP and, as applicable, how they are generated or established, their method of entry and output of the module, their storage location, and the method for zeroizing the key/CSP.

All key and CSP storage are done in plaintext.

Table 11: Lifecycle of public keys, secret/private keys and other Critical Security Parameters (CSPs).

Name	Use	Generation/ Establishment	Entry/ Output	Type	Stored In	Zeroization
AES Key	Encryption, decryption. MAC generation and verification (GMAC).	Provided by the calling application.	Entered via API input parameter. No output.	AES key, all modes per Table 7. Length: 128, 192, 256 bits for CBC; 128, 256 bits for GCM, GMAC.	RAM	gnutls_cipher_deinit()
Triple-DES Keys	Encryption, decryption.	Provided by the calling application.	Entered via API input parameter. No output.	CBC, 192 bits.	RAM	gnutls_cipher_deinit()
HMAC Key	MAC generation and verification	Provided by the calling application.	Entered via API input parameter. No output.	HMAC keys of length > 112 bits.	RAM	gnutls_hmac_deinit()
RSA public and private key	RSA signature generation and verification. Key wrapping.	Keys are generated using FIPS 186-4 and the random value used in the key generation is obtained from SP800-90A DRBG.	Entered via API input parameter or generated by module. Output via API output parameters in plaintext.	RSA keys of length 1024, 2048, 3072 bits (or more as allowed for key wrapping)	RAM	gnutls_rsa_params_deinit() gnutls_privkey_deinit() gnutls_x509_privkey_deinit() gnutls_pubkey_deinit()
DSA public and private key	DSA signature generation and verification.	Keys are generated using FIPS 186-4 and the random value used in the key generation is obtained from SP800-90A DRBG.	Entered via API input parameter or generated by module. Output via API output parameters in plaintext.	DSA keys of length 1024, 2048, 3072 bits	RAM	gnutls_privkey_deinit() gnutls_pubkey_deinit() gnutls_x509_privkey_deinit() gnutls_x509_cert_deinit()
ECDSA public and private key	ECDSA signature generation and verification.	Keys are generated using FIPS 186-4 and the random value used in the key generation is obtained from SP800-90A DRBG.	Entered via API input parameter or generated by module. Output via API output parameters in plaintext.	ECDSA keys for curves P-256, P-384, P-521	RAM	gnutls_privkey_deinit() gnutls_pubkey_deinit() gnutls_x509_privkey_deinit()

Name	Use	Generation/ Establishment	Entry/ Output	Type	Stored In	Zeroization
Entropy input string	Entropy input strings used to construct the seed for the DRBG.	Obtained from NDRNG.	N/A	384 bits	RAM	gnutls_global_deinit()
DRBG Internal state (V, Key)	Used internally by CTR DRBG. Used to generate random bits.	During DRBG initialization.	N/A		RAM	gnutls_global_deinit()
TLS Network Protocol						
TLS KDF internal state	Values of the TLS KDF internal state used in TLS tunnel establishment	SP800-135 TLS KDF	N/A		RAM	gnutls_deinit()
AES Derived Key	Encryption, decryption. MAC generation and verification (GMAC).	Generated internally by the module (from the [SP800-135] TLS KDF) during the establishment of the TLS tunnel.	N/A	AES key (CBC, GCM) with length 128 or 256 bits (defined by ciphersuite)	RAM	gnutls_cipher_deinit()
Triple-DES Derived Keys	Encryption, decryption.	Generated internally by the module (from the [SP800-135] TLS KDF) during the establishment of the TLS tunnel.	N/A	CBC, 192 bits.	RAM	gnutls_cipher_deinit()
HMAC Derived Key	MAC generation and verification	Generated internally by the module (from the [SP800-135] TLS KDF) during the establishment of the TLS tunnel.	N/A	HMAC key with length defined by ciphersuite.	RAM	gnutls_hmac_deinit()
Pre-master secret	Establishment of encrypted session as input to the derivation of the master secret.	Generated by TLS client as output from DRBG when using RSA key exchange.	Entry: if received by module as TLS server, wrapped with server's public RSA key; otherwise no entry. Output: if generated by module as TLS client, wrapped with server's public RSA	Length defined per ciphersuite	RAM	gnutls_deinit()

Name	Use	Generation/ Establishment	Entry/ Output	Type	Stored In	Zeroization
			key; otherwise, no output.			
Master secret	Establishment of encrypted session.	Derived from pre- master secret.	Generated by the module. No output.	384 bits	RAM	gnutls_deinit()

7.1 Random Number Generation

The module provides a DRBG compliant with [SP800-90A] for the creation of key components of asymmetric keys, and random number generation. The DRBG implements a CTR_DRBG mechanism with AES-256 without derivation function and without prediction resistance. The CTR_DRBG is implemented in the libgnutls library and provides at least 128 bits of output data per each request.

The DRBG is initialized during module initialization and seeded from the NDRNG from /dev/urandom. The NDRNG is provided by the operational environment (i.e., Linux RNG), which is within the module's physical boundary but outside of the module's logical boundary. The NDRNG provides at least 256 bits of entropy to the DRBG.

The module performs continuous random number generator tests (CRNGT) on the output of SP800-90A DRBG to ensure that consecutive random numbers do not repeat. Moreover, the module performs the health tests for the SP800-90A DRBG as defined per Section 11.3 of SP800-90A.

The operational environment, the Linux RNG, performs the continuous test on the NDRNG.

7.2 Key Generation

For generating RSA, DSA, and ECDSA, the module implements asymmetric key generation services compliant with [FIPS186-4] and using a DRBG compliant with [SP800-90A]. The random value used in asymmetric key generation is obtained from the DRBG. In accordance with FIPS 140-2 IG D.12, the cryptographic module performs Cryptographic Key Generation (CKG) for asymmetric keys as per SP800-133 (vendor affirmed).

7.3 Key Entry and Output

The module does not support manual key entry or intermediate key generation output. In addition, the module does not produce key output outside its physical boundary. The keys can be entered or output from the module in plaintext form via API parameters, to and from the calling application only. The module provides services to import and export public and private keys to and from calling applications only.

7.4 Key/CSP Storage

Public and private keys are provided to the module by the calling process and are destroyed when released by the appropriate API function calls. The module does not perform persistent storage of keys. The keys and CSPs are stored as plaintext in volatile memory (RAM). The protection of these keys and CSPs in RAM is provided by the operating system enforcement of separation of address space.

The HMAC keys used for integrity tests are stored within the module's binary files and rely on the operating system for protection.

7.5 Key/CSP Zeroization

The application is responsible for calling the appropriate destruction functions from the API to zeroize keys and CSPs. The destruction functions then overwrite the memory occupied by keys with zeros and deallocates the memory with the free() call. In case of abnormal termination, the keys in

physical memory are overwritten by the Linux kernel before the physical memory is allocated to another process.

7.6 Key Establishment

The module provides RSA key wrapping (encapsulation) using public key encryption and private key decryption primitives as allowed by [FIPS140-2_IG] D.9. RSA key wrapping may be used as part of the TLS protocol key exchange.

The module provides approved key transport methods according to IG D.9, which can be used in the TLS protocol context. The key transport methods are provided either by using an approved authenticated encryption mode (e.g., AES-GCM) or a combination method. The combination method consists of using an approved symmetric encryption mode (e.g., AES-CBC or Triple-DES CBC) together with an approved authentication method (e.g., HMAC).

Table 7 and Table 9 specify the key sizes allowed in the FIPS mode of operation. According to “Table 2: Comparable strengths” in [SP800-57], the key sizes of key wrapping and transport and RSA provide the following security strengths:

- RSA key wrapping provides between 112 and 256 bits of encryption strength.
- Approved authenticated encryption mode (i.e., GCM) key establishment methodology provides 128 or 256 bits of encryption strength.
- Combination of approved AES encryption and HMAC authentication key establishment methodology provides between 128 and 256 bits of encryption strength.
- Combination of approved Triple-DES encryption and HMAC authentication key establishment methodology provides 112 bits of encryption strength.

7.7 Handling of Keys and CSPs between Modes of Operation

As observed in Section 2.6, the module does not share CSPs between the FIPS-approved mode of operation and the non-FIPS mode of operation.

8 Electromagnetic Interference/Electromagnetic Compatibility (EMI/EMC)

The test platforms listed in Table 3 have been tested and found to conform to the EMI/EMC requirements specified by 47 Code of Federal Regulations, FCC PART 15, Subpart B, Unintentional Radiators, Digital Devices, Class A (i.e., Business use). These devices are designed to provide reasonable protection against harmful interference when the devices are operated in a commercial environment.

9 Self-Tests

9.1 Power-on Self-Tests

The module performs power-up or power-on self-tests (POSTs) automatically during loading of the module by making use of default entry point (DEP). These POSTs ensure that the module is not corrupted and that the cryptographic algorithms work as expected. No operator intervention is necessary to run the POSTs. The self-tests cover different implementations depending on the availability of those implementations in the operational environment (e.g., AES-NI, SSSE3, NEON).

While the module is executing the POSTs, services are not available, and input and output are inhibited. The module is not available for use until successful completion of the POSTs.

The integrity of the module binary is verified using an HMAC-SHA2-256. The HMAC value is computed at build time and stored in the .hmac file. The value is recalculated at runtime and compared against the stored value in the file. If the comparison succeeds, then the remaining POSTs (consisting of the algorithm-specific Known Answer Tests) are performed. On successful completion of the all the power-on tests, the module becomes operational and crypto services are then available. If any of the tests fails, the module transitions to the error state and subsequent calls to the module will fail. Thus, in the error state, no further cryptographic operations will be possible.

Table 12 details the self-tests that are performed on the FIPS-approved cryptographic algorithms supported in the FIPS-approved mode of operation, using the Known-Answer Tests⁴ (KATs) and Pairwise Consistency Tests (PCTs).

Table 12: Self-tests.

Algorithm	Test
AES	<ul style="list-style-type: none"> KAT AES-CBC with 128-bit key, encryption KAT AES-CBC with 128-bit key, decryption KAT AES-GCM with 256-bit key, encryption KAT AES-GCM with 256-bit key, decryption
Triple-DES	<ul style="list-style-type: none"> KAT Triple-DES (CBC) with 192-bit key, encryption KAT Triple-DES (CBC) with 192-bit key, decryption
DSA	<ul style="list-style-type: none"> KAT DSA with 2048-bit key and SHA2-256
RSA	<ul style="list-style-type: none"> KAT RSA PKCS#1v1.5 signature generation and verification with 2048-bit key and using SHA2-256
ECDSA	<ul style="list-style-type: none"> KAT ECDSA with P-256 and SHA2-256
DRBG	<ul style="list-style-type: none"> KAT CTR_DRBG using AES-256 without DF, without PR (this self-test also covers the self-test for AES-ECB in the Nettle implementation)
HMAC	<ul style="list-style-type: none"> KAT HMAC-SHA-1 KAT HMAC-SHA2-224 KAT HMAC-SHA2-256 KAT HMAC-SHA2-384 KAT HMAC-SHA2-512

⁴ The module also implements Diffie-Hellman and EC Diffie-Hellman “Z” Computation KAT with 2048-bit key and P-256 curve, respectively. However, these algorithms are non-approved.

Algorithm	Test
SHS	<ul style="list-style-type: none"> Performed as part of the HMAC KAT, allowed by IG 9.1 and IG 9.4 [FIPS140-2_IG]
Module Integrity	<ul style="list-style-type: none"> HMAC-SHA2-256

9.2 Conditional Self-Tests

Conditional tests are performed during operational state of the module when the respective cryptographic functions are used. If any of the conditional tests fails, the module transitions to error state.

Table 13 lists the conditional self-tests performed by the functions.

Table 13: Conditional self-tests.

Algorithm	Test
DSA Key generation	PCT, signature generation and verification
ECDSA Key generation	PCT, signature generation and verification
RSA Key generation	PCT, signature generation and verification, and for encryption and decryption
DRBG	Continuous Random Number Generator Test (CRNGT)

9.3 On-Demand self-tests

The module provides the Self-Test service to perform self-tests on demand. On demand self-tests can be invoked by powering-off and reloading the module. This service performs the same cryptographic algorithm tests executed during power-on. During the execution of the on-demand self-tests, cryptographic services are not available and no data output or input is possible.

10 Guidance

This section provides guidance for the Crypto Officer and the User to maintain proper use of the module per FIPS 140-2 requirements.

10.1 Crypto-Officer Guidance

The binaries of the module are delivered via Red Hat Package Manager (RPM) packages. The Crypto Officer shall follow this Security Policy to configure the operational environment and install the module to be operated as FIPS 140-2 validated module. The version of the RPM packages containing the FIPS validated module are listed in Section 2.3.

For proper operation of the in-module integrity verification, the prelink has to be disabled. This can be done by setting `PRELINKING=no` in the `/etc/sysconfig/prelink` configuration file. If the module is already prelinked, the prelink should be undone on all the system files using the `'prelink -u -a'` command.

To configure the operating environment to support FIPS perform the following steps:

1. Install the `dracut-fips` package:

```
# yum install dracut-fips
```

2. Recreate the `INITRAMFS` image:

```
# dracut -f
```

After regenerating the `initramfs`, the Crypto Officer must append the following string to the kernel command line by changing the setting in the boot loader:

```
fips=1
```

If `/boot` or `/boot/efi` reside on a separate partition, the kernel parameter `boot=<partition of /boot or /boot/efi>` must be supplied. The partition can be identified with the following command, respectively:

```
"df /boot"
```

or

```
"df /boot/efi"
```

For example:

```
$ df /boot
Filesystem 1K-blocks  Used Available Use% Mounted on
/dev/sda1  233191    30454   190296   14%  /boot
```

The partition of `/boot` is located on `/dev/sda1` in this example. Therefore, the following string needs to be appended to the kernel command line:

```
"boot=/dev/sda1"
```

Reboot to apply these settings.

The Crypto Officer shall check whether the file `/proc/sys/crypto/fips_enabled` exists and whether it contains "1". If the file does not exist or does not contain "1", the operational environment is not configured to support FIPS and the module will not operate as a FIPS validated module. Once the operational environment has been configured to support FIPS, it is not possible to switch back to standard mode without terminating the module first.

After performing the above configuration, the Crypto Officer should proceed to module installation. The RPM package of the module can be installed using standard tools recommended for the installation of packages on an Amazon Linux 2 system (e.g., yum, RPM). The integrity of the RPM is automatically verified during the installation of the module and the Crypto Officer shall not install the RPM file if the yum server indicates an integrity error.

10.2 User Guidance

The applications must be linked dynamically to run the module. Only the services listed in Table 5 are allowed to be used in FIPS mode.

The libraries of GMP and Nettle provide the support of cryptographic operations to the GnuTLS library. The operator shall use the API provided by the GnuTLS library for the services. Directly invoking the APIs provided by the supporting libraries is forbidden and implicitly switches the module to the non-FIPS mode.

10.2.1 AES GCM IV

AES GCM encryption and decryption are used in the context of the TLS protocol version 1.2 (compliant to Scenario 1 in [FIPS140-2_IG] A.5). The module is compliant with [SP 800-52] and the mechanism for IV generation is compliant with [RFC5288]. The operations of one of the two parties involved in the TLS key establishment scheme are performed entirely within the cryptographic boundary of the module, including the setting of the counter portion of the IV.

When the nonce_explicit part of the IV exhausts the maximum number of possible values for a given session key, the module (acting as server or client) triggers a handshake to establish a new encryption key per Section 7.4.1.1 and Section 7.4.1.2 in [RFC5246] and compliant to [FIPS140-2_IG] A.5.

In case the module's power is lost and then restored, the key used for AES GCM encryption or decryption shall be re-distributed.

10.2.2 Triple-DES Data Encryption

Data encryption using the same three-key Triple-DES key shall not exceed 2^{16} Triple-DES (64-bit) blocks, in accordance to [SP800-67] and IG A.13 in [FIPS140-2-IG].

10.2.3 Key Usage and Management

In general, a single key shall be used for only one purpose (e.g., encryption, integrity, authentication, key wrapping, random bit generation, or digital signatures) and be disjoint between the modes of operations of the module. Thus, if the module is switched between its FIPS mode and non-FIPS mode or vice versa, the following procedures shall be observed:

- The DRBG engine shall be reseeded.
- CSPs and keys shall not be shared between security functions of the two different modes.

The DRBG shall not be used for key generation for non-approved services in the non-FIPS mode.

10.3 Handling Self-Test Errors

The module transition to error state when any of self-tests or conditional tests fails. The module then returns an error code to indicate the error, and further cryptographic operations are inhibited.

Table 14 lists the error events, error codes and error messages respective to failures during self-tests and when the module is in the error state.

Table 14: Error events, codes and messages.

Error Event	Error Code	Error Message
When the KAT or Integrity fails at the power-on	GNUTLS_E_SELF_TEST_ERROR (-400)	"Error while performing self checks."
When the KAT of DRBG fails at the power-on	GNUTLS_E_RANDOM_FAILED (-206)	"Error while performing self checks."
When the new generated RSA, DSA or ECDSA key pair fails the PCT	GNUTLS_E_PK_GENERATION_ERROR (-403)	"Error in public key generation."

Self-test errors transition the module into an error state that keeps the module active but prevents any cryptographic related operations. The module must be restarted and perform power-on self-test to recover from these errors. If failures persist, the module must be re-installed.

A completed list of the error codes can be found in https://gnutls.org/manual/html_node/Error-codes.html.

11 Mitigation of Other Attacks

RSA is vulnerable to timing attacks [Brumley; Boneh, 2003]. In a setup in which attackers can measure the time of RSA decryption or signature operations, blinding must be used to protect the RSA operation from that attack. The API function `_rsa_blind()` and `_rsa_unblind()` are called by the module for RSA signature generation and RSA decryption operations. The module generates a random blinding factor and includes this random factor in those RSA operations such that timing information is made unusable, mitigating the RSA timing attacks.

12 Acronyms, Terms and Abbreviations

Term	Definition
AES	Advanced Encryption Standard
AESNI	Advanced Encryption Standard New Instructions
CAVP	Cryptographic Algorithm Validation Program
CE	Cryptographic Extensions
CMVP	Cryptographic Module Validation Program
CSE	Communications Security Establishment
CSP	Critical Security Parameter
DANE	DNS-based Authentication of Named Entities
DH	Diffie-Hellman
DHE	Diffie-Hellman Ephemeral
DRBG	Deterministic Random Bit Generator
DTLS	Datagram Transport Layer Security
ECDH	Elliptic Curve Diffie-Hellman
ECDSA	Elliptic Curve Digital Signature Algorithm
EDC	Error Detection Code
HMAC	(Keyed) Hash Message Authentication Code
IKE	Internet Key Exchange
KAT	Known Answer Test
KDF	Key Derivation Function
NDRNG	Non-Deterministic Random Number generator
NIST	National Institute of Standards and Technology
PAA	Processor Algorithm Acceleration
POST	Power On Self-Test
PR	Prediction Resistance
PSS	Probabilistic Signature Scheme
PUB	Publication
SHA2	Secure Hash Algorithm
SSSE3	Supplemental Streaming SIMD Extensions 3
TLS	Transport Layer Security

13 References

- Brumley; Boneh** **Brumley, David; Boneh, Dan. Remote Timing Attacks are Practical.**
SSYM'03 Proceedings of the 12th Conference on USENIX Security Symposium, 2003.
<https://dl.acm.org/citation.cfm?id=1251354>
- FIPS140-2** **FIPS PUB 140-2 - Security Requirements Forfor Cryptographic Modules**
May 2001
<http://csrc.nist.gov/publications/fips/fips140-2/fips1402.pdf>
- FIPS140-2_IG** **Implementation Guidance for FIPS PUB 140-2 and the Cryptographic Module Validation Program**
May 7, 2019
<https://csrc.nist.gov/CSRC/media/Projects/cryptographic-module-validation-program/documents/fips140-2/FIPS1402IG.pdf>
- FIPS180-4** **Secure Hash Standard (SHS)**
March 2012
<http://nvlpubs.nist.gov/nistpubs/FIPS/NIST.FIPS.180-4.pdf>
- FIPS186-4** **Digital Signature Standard (DSS)**
July 2013
<http://nvlpubs.nist.gov/nistpubs/FIPS/NIST.FIPS.186-4.pdf>
- FIPS197** **Advanced Encryption Standard**
November 2001
<http://csrc.nist.gov/publications/fips/fips197/fips-197.pdf>
- FIPS198-1** **The Keyed Hash Message Authentication Code (HMAC)**
July 2008
http://csrc.nist.gov/publications/fips/fips198-1/FIPS-198-1_final.pdf
- PKCS#1** **Public Key Cryptography Standards (PKCS) #1: RSA Cryptography Specifications Version 2.2**
November 2016
<https://tools.ietf.org/rfc/rfc8017.txt>
- RFC3711** **The Secure Real-time Transport Protocol (SRTP)**
March 2004
<https://tools.ietf.org/html/rfc3711>
- RFC4347** **Datagram Transport Layer Security**
April 2006
<https://tools.ietf.org/html/rfc4347>
- RFC4357** **Additional Cryptographic Algorithms for Use with GOST 28147-89, GOST R 34.10-94, GOST R 34.10-2001, and GOST R 34.11-94 Algorithms**
January 2006
<https://tools.ietf.org/html/rfc4357>

-
- RFC5246** **The Transport Layer Security (TLS) Protocol Version 1.2**
August 2008
<https://tools.ietf.org/html/rfc5246>
- RFC5288** **AES Galois Counter Mode (GCM) Cipher Suites for TLS**
August 2008
<https://tools.ietf.org/html/rfc5288>
- RFC5764** **Datagram Transport Layer Security (DTLS) Extension to Establish Keys for the Secure Real-time Transport Protocol (SRTP)**
May 2010
<https://tools.ietf.org/html/rfc5764>
- SP800-131A** **NIST Special Publication 800-131A Revision 2- Transitions: Recommendation for Transitioning the Use of Cryptographic Algorithms and Key Lengths**
March 2019
<https://nvlpubs.nist.gov/nistpubs/SpecialPublications/NIST.SP.800-131Ar2.pdf>
- SP800-135** **NIST Special Publication 800-135 Revision 1 - Recommendation for Existing Application-Specific Key Derivation Functions**
December 2011
<http://nvlpubs.nist.gov/nistpubs/Legacy/SP/nistspecialpublication800-135r1.pdf>
- SP800-38A** **NIST Special Publication 800-38A - Recommendation for Block Cipher Modes of Operation Methods and Techniques**
December 2001
<http://csrc.nist.gov/publications/nistpubs/800-38a/sp800-38a.pdf>
- SP800-52** **NIST Special Publication 800-52 Revision 1 - Guidelines for the Selection, Configuration, and Use of Transport Layer Security (TLS) Implementations**
April 2014
<http://nvlpubs.nist.gov/nistpubs/SpecialPublications/NIST.SP.800-52r1.pdf>
- SP800-56A** **NIST Special Publication 800-56A - Recommendation for Pair-Wise Key Establishment Schemes Using Discrete Logarithm Cryptography (Revised)**
March, 2007
http://csrc.nist.gov/publications/nistpubs/800-56A/SP800-56A_Revision1_Mar08-2007.pdf
- SP800-67** **NIST Special Publication 800-67 Revision 2 - Recommendation for the Triple Data Encryption Algorithm (TDEA) Block Cipher**
November 2017
<https://nvlpubs.nist.gov/nistpubs/SpecialPublications/NIST.SP.800-67r2.pdf>
- SP800-90A** **NIST Special Publication 800-90A - Revision 1 - Recommendation for Random Number Generation Using Deterministic Random Bit Generators**
June 2015
<http://nvlpubs.nist.gov/nistpubs/SpecialPublications/NIST.SP.800-90Ar1.pdf>

