

ORACLE®

LINUX

FIPS 140-2 Non-Proprietary Security Policy

Oracle Linux 6 NSS Cryptographic Module

FIPS 140-2 Level 1 Validation

Software Version: R6-1.0.0

Date: June 18th, 2018



Title: Oracle Linux 6 NSS Cryptographic Module Security Policy

June 18th, 2018

Author: Atsec Information Security

Contributing Authors:

Oracle Linux Engineering

Oracle Security Evaluations – Global Product Security

Oracle Corporation
World Headquarters
500 Oracle Parkway
Redwood Shores, CA 94065
U.S.A.
Worldwide Inquiries:
Phone: +1.650.506.7000
Fax: +1.650.506.7200
oracle.com



| Oracle is committed to developing practices and products that help protect the environment

Copyright © 2018, Oracle and/or its affiliates. All rights reserved. This document is provided for information purposes only and the contents hereof are subject to change without notice. This document is not warranted to be error-free, nor subject to any other warranties or conditions, whether expressed orally or implied in law, including implied warranties and conditions of merchantability or fitness for a particular purpose. Oracle specifically disclaim any liability with respect to this document and no contractual obligations are formed either directly or indirectly by this document. This document may reproduced or distributed whole and intact including this copyright notice.

Oracle and Java are registered trademarks of Oracle and/or its affiliates. Other names may be trademarks of their respective owners.

Hardware and Software, Engineered to Work Together



TABLE OF CONTENTS

Section	Title	Page
1.	Introduction	1
1.1	Overview	1
1.2	Document Organization	1
2.	Oracle Linux 6 NSS Cryptographic Module	2
2.1	Functional Overview	2
2.2	FIPS 140-2 Validation Scope	2
3.	Cryptographic Module Specification	3
3.1	Definition of the Cryptographic Module	3
3.2	Definition of the Physical Cryptographic Boundary	3
3.3	Approved or Allowed Security Functions	4
3.4	Non-Approved but Allowed Security Functions	6
3.5	Non-Approved Security Functions	6
4.	Module Ports and Interfaces	8
4.1	PKCS#11	8
4.2	Inhibition of Data Output	8
4.3	Disconnecting the Output Data Path from the Key Processes	9
5.	Physical Security	10
6.	Operational Environment	11
6.1	Tested Environments	11
6.2	Vendor Affirmed Environments	11
6.3	Operational Environment Policy	15
7.	Roles, Services and Authentication	16
7.1	Roles	16
7.2	FIPS Approved Operator Services and Descriptions	16
7.3	Non-FIPS Approved Services and Descriptions	21
7.4	Operator Authentication	22
7.4.1	Role Assumption	22
7.4.2	Strength of Authentication Mechanism	23
8.	Key and CSP Management	24
8.1	Random Number Generation	25
8.2	Key/CSP Storage	25
8.3	Key/CSP Zeroization	25
9.	Self-Tests	26
9.1	Power-Up Self-Tests	26
9.2	Conditional Self-Tests	26
10.	Crypto-Officer and User Guidance	27
10.1	Crypto-Officer Guidance	27
10.1.1	Access to Audit Data	28
10.2	User Guidance	28
10.2.1	TLS Operations	29
10.2.2	RSA and DSA Keys	29
10.2.3	Triple-DES keys	29
10.3	Handling Self-Test Errors	29
11.	Mitigation of Other Attacks	30



Acronyms, Terms and Abbreviations	31
References	32

List of Tables

Table 1: FIPS 140-2 Security Requirements	2
Table 2: FIPS Approved or Allowed Security Functions.....	6
Table 3: Non-Approved but Allowed Security Functions	6
Table 4: Non-Approved and Disallowed Functions	7
Table 5: Mapping of FIPS 140-2 Logical Interfaces	8
Table 6: Tested Operating Environment	11
Table 7: Vendor Affirmed Operational Environments	15
Table 8: FIPS Approved Operator Services and Descriptions	20
Table 9: Non-FIPS Approved Operator Services and Descriptions.....	22
Table 10: CSP Table	24
Table 11: Power-On Self-Tests	26
Table 12: Conditional Self-Tests	26
Table 13: Mitigation of Other Attacks	30
Table 14: Acronyms.....	31

List of Figures

Figure 1: Oracle Linux 6 NSS Logical Cryptographic Boundary	3
Figure 2: Oracle Linux 6 NSS Hardware Block Diagram	4



1. Introduction

1.1 Overview

This document is the Security Policy for the Oracle Linux 6 NSS Cryptographic Module by Oracle Corporation. This Security Policy specifies the security rules under which the module shall operate to meet the requirements of FIPS 140-2 Level 1. It also describes how the Oracle Linux 6 NSS Cryptographic Module functions in order to meet the FIPS 140-2 requirements, and the actions that operators must take to maintain the security of the module.

This Security Policy describes the features and design of the Oracle Linux 6 NSS Cryptographic Module using the terminology contained in the FIPS 140-2 specification. FIPS 140-2, Security Requirements for Cryptographic Module specifies the security requirements that will be satisfied by a cryptographic module utilized within a security system protecting sensitive but unclassified information. The NIST/CSE Cryptographic Module Validation Program (CMVP) validates cryptographic module to FIPS 140-2. Validated products are accepted by the Federal agencies of both the USA and Canada for the protection of sensitive or designated information.

1.2 Document Organization

The FIPS 140-2 Submission Package contains:

- Oracle Linux 6 NSS Cryptographic Module Non-Proprietary Security Policy
- Other supporting documentation as additional references

With the exception of this Non-Proprietary Security Policy, the FIPS 140-2 Validation Documentation is proprietary to Oracle and is releasable only under appropriate non-disclosure agreements. For access to these documents, please contact Oracle.



2. Oracle Linux 6 NSS Cryptographic Module

2.1 Functional Overview

The Oracle Linux 6 NSS Cryptographic Module (hereafter referred to as the “module”) is a set of libraries designed to support cross-platform development of security-enabled applications. Applications built with the Oracle Linux 6 NSS Cryptographic Module can support TLS, PKCS #5, PKCS #7, PKCS #11 (version 2.20), PKCS #12, S/MIME, X.509 v3 certificates, and other security standards supporting FIPS 140-2 validated cryptographic algorithms. It combines a vertical stack of Oracle Linux components intended to limit the external interface each separate component may provide. The Oracle Linux 6 NSS Cryptographic Module is distributed with the Oracle Linux open-source distributions. The module provides a C-language Application Program Interface (API) for use by other processes that require cryptographic functionality.

Oracle Linux 6 NSS Cryptographic Module supports 2 types of cryptographic implementations:

- a) NSS in Native C Programming Language; and
- b) AES-NI for X86 processors.

2.2 FIPS 140-2 Validation Scope

The following table shows the security level for each of the eleven sections of the validation. See Table 1 below.

Security Requirements Section	Level
Cryptographic Module Specification	1
Cryptographic Module Ports and Interfaces	1
Roles and Services and Authentication	2
Finite State Machine Model	1
Physical Security	N/A
Operational Environment	1
Cryptographic Key Management	1
EMI/EMC	1
Self-Tests	1
Design Assurance	3
Mitigation of Other Attacks	1

Table 1: FIPS 140-2 Security Requirements

3. Cryptographic Module Specification

3.1 Definition of the Cryptographic Module

The Oracle Linux 6 NSS Cryptographic Module with version R6-1.0.0 is defined as a software only multi-chip standalone module as defined by the requirements within FIPS PUB 140-2. The logical cryptographic boundary of the module consists of shared library files and their integrity check signature files, which are delivered through the Package Manager (RPM) as listed below:

- nss-softokn RPM file with version [3.14.3-23.3.0.1.el6_8.x86_64](#), which contains the following files:
 - /usr/lib64/libnssdbm3.chk (64 bits)
 - /usr/lib64/libnssdbm3.so (64 bits)
 - /usr/lib64/libsoftokn3.chk (64 bits)
 - /usr/lib64/libsoftokn3.so (64 bits)

- nss-softokn-freebl RPM file with version [3.14.3-23.3.0.1.el6_8.x86_64](#), which contains the following files:
 - /lib64/libfreeblpriv3.chk (64 bits)
 - /lib64/libfreeblpriv3.so (64 bits)

Figure 1 shows the logical block diagram of the module executing in memory on the host system.

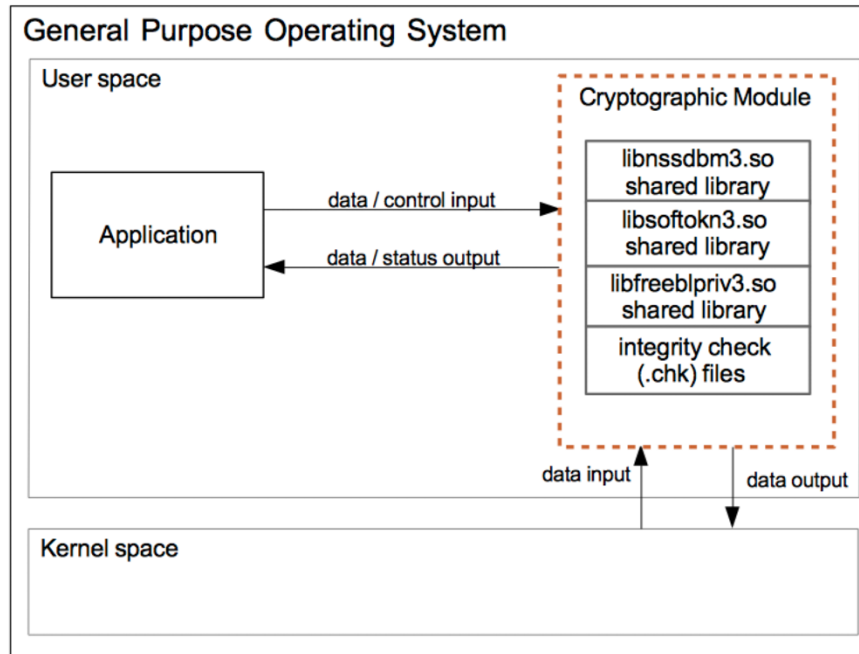


Figure 1: Oracle Linux 6 NSS Logical Cryptographic Boundary

3.2 Definition of the Physical Cryptographic Boundary

The physical cryptographic boundary of the module is defined as the hard enclosure of the host system on which it runs. See Figure 2 below. No components are excluded from the requirements of FIPS PUB 140-2.

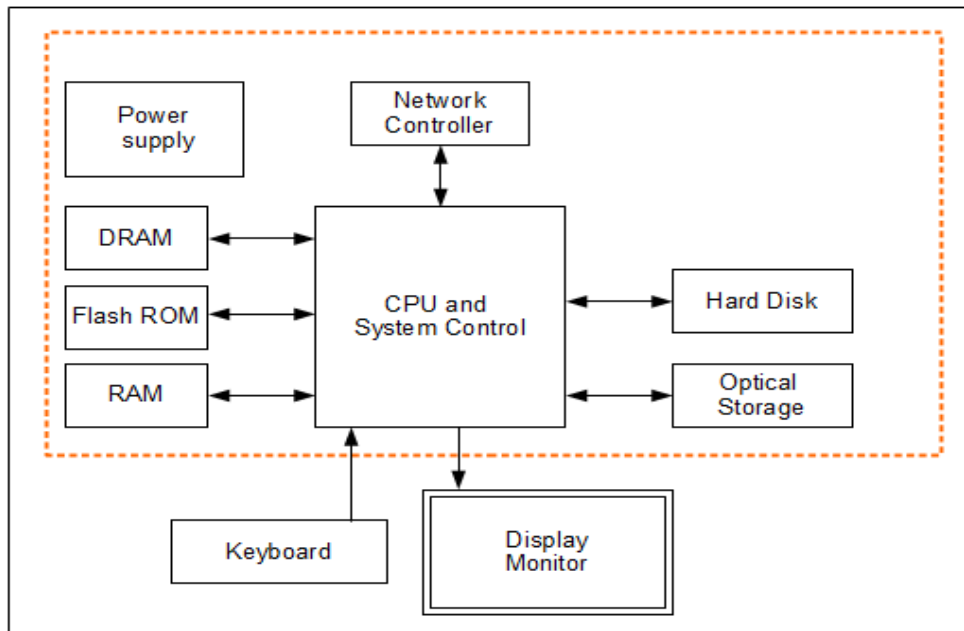


Figure 2: Oracle Linux 6 NSS Hardware Block Diagram

3.3 Approved or Allowed Security Functions

The module supports two modes of operation: FIPS Approved mode and non-Approved mode.

When the module is powered on, the power-up self-tests are executed automatically without any operator intervention. If the power-up self-tests complete successfully, the module will be in FIPS Approved mode by default. In Approved mode, only Approved algorithms (as listed in Table 2) and non-approved but Allowed algorithms (as listed in Table 3) can be used.

Approved Security Functions		Certificate
Symmetric Algorithms		
AES	Without AES-NI: CBC, ECB (e/d; 128 , 192 , 256); CTR (ext only; 128 , 192 , 256)	4773 5472
	With AES-NI: CBC, ECB (e/d; 128 , 192 , 256); CTR (ext only; 128 , 192 , 256)	4774 5469
Triple-DES (three-Key)	TCBC(KO 1 e/d,) ; TECB (KO 1 e/d,) ; CTR (ext only)	2536 2755
Secure Hash Standard (SHS)		
SHS	SHA-1 (BYTE-only) SHA-224 (BYTE-only) SHA-256 (BYTE-only) SHA-384 (BYTE-only) SHA-512 (BYTE-only)	3918 4391
Data Authentication Code		
HMAC	HMAC-SHA1 (Key Size Ranges Tested: KS<BS KS=BS KS>BS)	3184

Approved Security Functions		Certificate
	HMAC-SHA224 (Key Size Ranges Tested: KS<BS KS=BS KS>BS) HMAC-SHA256 (Key Size Ranges Tested: KS<BS KS=BS KS>BS) HMAC-SHA384 (Key Size Ranges Tested: KS<BS KS=BS KS>BS) HMAC-SHA512 (Key Size Ranges Tested: KS<BS KS=BS KS>BS)	3628
Asymmetric Algorithms		
RSA	FIPS186-2: ALG[RSASSA-PKCS1_V1_5]: SIG(gen) (4096 SHA(224, SHA-256, SHA-384, SHA-512)) FIPS186-4: ALG[RSASSA-PKCS1_V1_5]: SIG(gen) (2048 SHA(224, 256, 384, 512)) (3072 SHA(224, 256, 384, 512)) Sig(Ver) (1024 SHA(1, 224, 256, 384, 512)) (2048 SHA(1, 224, 256, 384, 512)) (3072 SHA(1, 224, 256, 384, 512)) FIPS186-4: Key Generation: (2048,3072) Probable Random Primes	2615 2640 2939
DSA	FIPS186-4: PQG(ver)PARMS TESTED: [(1024,160) SHA(1, 224, 256, 384, 512); (2048,224) SHA(224, 256, 384, 512); (2048,256) SHA(256, 384, 512); (3072,256) SHA(256, 384, 512)] KeyPairGen: [(2048,224) ; (2048,256) ; (3072,256)] SIG(gen)PARMS TESTED: [(2048,224) SHA(224, 256, 384, 512); (2048,256) SHA(224, 256, 384, 512); (3072,256) SHA(224, 256, 384, 512);] SIG(ver)PARMS TESTED: [(1024,160) SHA(1, 224, 256, 384, 512); (2048,224) SHA(1, 224, 256, 384, 512); (2048,256) SHA(1, 224, 256, 384, 512); (3072,256) SHA(1, 224, 256, 384, 512)]	1285 1407
ECDSA	FIPS186-4: KPG: CURVES (P-256 P-384 P-521 ExtraRandomBits) PKV: CURVES (P-256 P-384 P-521) SigGen: CURVES(P-256: (SHA-224, 256, 384, 512) P-384: (SHA-224, 256, 384, 512) P-521: (SHA-224, 256, 384, 512)) SigVer: CURVES(P-256: (SHA-1, 224, 256, 384, 512) P-384: (SHA-1, 224, 256, 384, 512) P-521: (SHA-1, 224, 256, 384, 512))	1199 1464
Random Number Generation		
DRBG	Hash_Based DRBG: [Prediction Resistance Tested: Not Enabled (SHA-256)	1652 2151
Key Establishment (All of NIST SP 800-56A Except KDF)		
Diffie-Hellman	FFC: (FUNCTIONS INCLUDED IN IMPLEMENTATION: KPG Partial Validation) SCHEMES: Ephem: (KARole: Initiator / Responder) FB FC	CVL 1417 CVL 1924
EC Diffie-Hellman	ECC: (FUNCTIONS INCLUDED IN IMPLEMENTATION: KPG Partial Validation) SCHEMES: Ephemeral Unified: (KARole: Initiator / Responder) EC: P-256 ED: P-384 EE: P-521	
Key Derivation (NIST SP 800-135 Section 4.2 in TLS 1.0 and 1.1)		
TLS KDF	TLS1.0/1.1	CVL 1418 CVL 1925

Table 2: FIPS Approved or Allowed Security Functions

Note: The TLS protocol, apart from the SP 800-135 KDF (CVL Certs. #1418 and #1925), has not been tested or reviewed by CMVP or CAVP. Diffie-Hellman and EC Diffie-Hellman are used in the context of the TLS protocol along with the SP 800-135 KDF implemented by the module.

3.4 Non-Approved but Allowed Security Functions

The following are considered non-Approved but allowed security functions:

Algorithm	Usage
RSA Key Wrapping with key sizes >= 2048-bit	Key wrapping, key establishment methodology provides between 112 and 256 bits of encryption strength.
Diffie-Hellman with key sizes >= 2048-bit	Key agreement, key establishment methodology provides between 112 and 256 bits of encryption strength.
EC Diffie-Hellman with P-256, P-384 and P-521 curves	Key agreement, key establishment methodology provides between 128 and 256 bits of encryption strength.
NDRNG	Used for seeding NIST SP 800-90A DRBG.
MD5	Message digest used in TLS only.

Table 3: Non-Approved but Allowed Security Functions

3.5 Non-Approved Security Functions

The following algorithms are considered non-Approved. Using any of these algorithms will put the module in the non-Approved mode implicitly. The services associated with these non-Approved algorithms are specified in Section 7.3.

Algorithm	Usage
AES CTS mode	Encryption/Decryption
AES GCM mode	Encryption/Decryption (non-compliant with IG A.5, CAVS tested with certificates #4773, #4774, #5469 and #5472))
Camellia	Encryption/Decryption
DES	Encryption/Decryption
RC2	Encryption/Decryption
RC4	Encryption/Decryption
RC5	Encryption/Decryption
SEED	Encryption/Decryption
Two-key Triple-DES	Encryption/Decryption, key wrapping using two-key Triple-DES
MD2	Hashing
MD5	Hashing
DSA with non-approved key size	DSA key pair generation with key size less than 2048 bits. DSA signature generation with key size less than 2048 bits. DSA signature verification with key size less than 1024 bits.
RSA with non-approved key size	RSA key pair generation with key size less than 2048 bits. RSA signature

Algorithm	Usage
	generation with key size less than 2048 bits. RSA signature verification with key size less than 1024 bits. RSA key wrapping with key size less than 2048 bits.
Key Wrapping	AES or Triple-DES Key wrapping non-compliant with NIST SP800-38F
Diffie-Hellman with non-approved key size	Diffie-Hellman key agreement with key size less than 2048 bits.
J-PAKE	Key agreement

Table 4: Non-Approved and Disallowed Functions

4. Module Ports and Interfaces

The module FIPS 140 interfaces can be categorized as follows:

- Data Input Interface
- Data Output Interface
- Control Input interface
- Status Output Interface

As a software-only module, the module does not have physical ports. For the purpose of FIPS 140-2 validation, the physical ports of the module are interpreted to be the physical ports of the hardware platform on which it runs. The logical interface is a C-language Application Program Interface (API) following the PKCS #11 specification, the database files in kernel file system, and environment variables.

The module uses different function arguments for input and output to distinguish between data input, control input, data output, and status output, to disconnect the logical paths followed by data/control entering the module and data/status exiting the module. The module doesn't use the same buffer for input and output. After the module is done with an input buffer that holds security related information, it always zeroizes the buffer so that if the memory is later reused as an output buffer, no sensitive information can be inadvertently leaked.

Table 5 below shows the mapping of interfaces as per FIPS 140-2 standard.

FIPS 140-2 Interface	Module Interfaces
Data Input	API input parameters and database files in kernel file system
Data Output	API output parameters and database files in kernel file system
Control Input	API function calls and environment variables
Status Output	API return codes and status parameters

Table 5: Mapping of FIPS 140-2 Logical Interfaces

4.1 PKCS#11

The logical interfaces of the module consist of the PKCS #11 (Cryptoki) API. The API itself defines the module's logical boundary, i.e., all access to the module is through this API. The functions in the PKCS #11 API are listed in Table 8.

4.2 Inhibition of Data Output

All data output via the data output interface is inhibited when the NSS cryptographic module is performing self-tests or in the Error state.

- During self-tests: All data output via the data output interface is inhibited while self-tests are executed.
- In Error state: The Boolean state variable `sftk_fatalError` tracks whether the NSS cryptographic module is in the Error state. Most PKCS #11 functions, including all the functions that output data via the data output interface, check the `sftk_fatalError` state variable and, if it is true, return the `CKR_DEVICE_ERROR` error code immediately. Only the functions that shut down and restart the module, reinitialize the module, or output status information can be invoked in the Error state. These functions are `FC_GetFunctionList`, `FC_Initialize`,



FC_Finalize, FC_GetInfo, FC_GetSlotList, FC_GetSlotInfo, FC_GetTokenInfo, FC_InitToken, FC_CloseSession, FC_CloseAllSessions, and FC_WaitForSlotEvent.

4.3 Disconnecting the Output Data Path from the Key Processes

During key generation and key zeroization, the module may perform audit logging, but the audit records do not contain sensitive information. The module does not return the function output arguments until the key generation or key zeroization is finished. Therefore, the logical paths used by output data exiting the module are logically disconnected from the processes/threads performing key generation and key zeroization.



5. Physical Security

The module is comprised of software only and thus does not claim any physical security.



6. Operational Environment

6.1 Tested Environments

The module was tested on the following environments with and without PAA (i.e., AES-NI):

Operating Environment	Processor	Hardware
Oracle Linux 6.9 64-bit	Intel® Xeon® CPU E5-2699 v4	Oracle Server X6-2
Oracle Linux 6.9 64-bit	Intel® Xeon® Silver 4114	Oracle Server X7-2

Table 6: Tested Operating Environment

6.2 Vendor Affirmed Environments

The following platforms have not been tested as part of the FIPS 140-2 level 1 certification. However, Oracle “vendor affirms” that these platforms are equivalent to the tested and validated platforms. Additionally, Oracle affirms that the module will function the same way and provide the same security services on any of the systems listed below.

Operating Environment	Processor	Hardware
Oracle Linux 6.9 64-bit	Intel® Xeon® E5-2600 v3 & v4	Cisco UCS B200 M4
Oracle Linux 6.9 64-bit	Intel® Xeon® E7-2800/E7-8800 v3	Cisco UCS B260 M4
Oracle Linux 6.9 64-bit	Intel® Xeon® Scalable Processors	Cisco UCS B200 M5
Oracle Linux 6.9 64-bit	Intel® Xeon® E5-4600/E5-4600 v2	Cisco UCS B420 M3
Oracle Linux 6.9 64-bit	Intel® Xeon® E5-4600 v3 & v4	Cisco UCS B420 M4
Oracle Linux 6.9 64-bit	Intel® Xeon® E7-2800 v2/E7-4800 v2/E7-8800 v2/E7-4800 v3/E7-8800 v3	Cisco UCS B460 M4
Oracle Linux 6.9 64-bit	Intel® Xeon® Scalable Processors	Cisco UCS B480 M5
Oracle Linux 6.9 64-bit	Intel® Xeon® E5-2400/E5-2400 v2	Cisco UCS C22 M3
Oracle Linux 6.9 64-bit	Intel® Xeon® E5-2600/E5-2600 v2	Cisco UCS C220 M3
Oracle Linux 6.9 64-bit	Intel® Xeon® E5-2600 v3 & v4	Cisco UCS C220 M4
Oracle Linux 6.9 64-bit	Intel® Xeon® Scalable Processors	Cisco UCS C220 M5
Oracle Linux 6.9 64-bit	Intel® Xeon® E5-2400/E5-2400 v2	Cisco UCS C24 M3
Oracle Linux 6.9 64-bit	Intel® Xeon® E5-2600/E5-2600 v2	Cisco UCS C240 M3
Oracle Linux 6.9 64-bit	Intel® Xeon® E5-2600 v3 & v4	Cisco UCS C240 M4
Oracle Linux 6.9 64-bit	Intel® Xeon® Scalable Processors	Cisco UCS C240 M5
Oracle Linux 6.9 64-bit	Intel® Xeon® E7-2800 v2/E7-4800 v2, v3 & v4/E7-8800 v2 & v4	Cisco UCS C460 M4
Oracle Linux 6.9 64-bit	Intel® Xeon® Scalable Processors	Cisco UCS C480 M5
Oracle Linux 6.9 64-bit	Intel® Xeon® E5-2600 v3	Dell PowerEdge FC630
Oracle Linux 6.9 64-bit	Intel® Xeon® E5-4600 v3	Dell PowerEdge FC830
Oracle Linux 6.9 64-bit	Intel® Xeon® E5-2600 v3	Dell PowerEdge M630 Blade
Oracle Linux 6.9 64-bit	Intel® Xeon® E5-4600 v4	Dell PowerEdge M830 Blade
Oracle Linux 6.9 64-bit	Intel® Xeon® E5-2600 v3	Dell PowerEdge R630
Oracle Linux 6.9 64-bit	Intel® Xeon® E5-2600 v3	Dell PowerEdge R730
Oracle Linux 6.9 64-bit	Intel® Xeon® E5-2600 v3	Dell PowerEdge R730xd
Oracle Linux 6.9 64-bit	Intel® Xeon® E7-4800 v4	Dell PowerEdge R930
Oracle Linux 6.9 64-bit	Intel® Xeon® E5-2600 v3	Dell PowerEdge T630

Operating Environment	Processor	Hardware
Oracle Linux 6.9 64-bit	Intel® Xeon® E7-4800 v2/E7-8800 v2	Fujitsu PRIMEQUEST 2400E
Oracle Linux 6.9 64-bit	Intel® Xeon® E7-8800 v3	Fujitsu PRIMEQUEST 2400E2
Oracle Linux 6.9 64-bit	Intel® Xeon® E7-8800 v4	Fujitsu PRIMEQUEST 2400E3
Oracle Linux 6.9 64-bit	Intel® Xeon® E7-4800 v2	Fujitsu PRIMEQUEST2400L
Oracle Linux 6.9 64-bit	Intel® Xeon® E7-8800 v3	Fujitsu PRIMEQUEST2400L2
Oracle Linux 6.9 64-bit	Intel® Xeon® E7-8800 v4	Fujitsu PRIMEQUEST 2400L3
Oracle Linux 6.9 64-bit	Intel® Xeon® E7-4800 v2	Fujitsu PRIMEQUEST 2400S
Oracle Linux 6.9 64-bit	Intel® Xeon® E7-4800 v2	Fujitsu PRIMEQUEST 2400S Lite
Oracle Linux 6.9 64-bit	Intel® Xeon® E7-8800 v3	Fujitsu PRIMEQUEST 2400S2
Oracle Linux 6.9 64-bit	Intel® Xeon® E7-8800 v3	Fujitsu PRIMEQUEST 2400S2 Lite
Oracle Linux 6.9 64-bit	Intel® Xeon® E7-8800 v4	Fujitsu PRIMEQUEST 2400S3
Oracle Linux 6.9 64-bit	Intel® Xeon® E7-8800 v4	Fujitsu PRIMEQUEST 2400S3 Lite
Oracle Linux 6.9 64-bit	Intel® Xeon® E7-8800 v2	Fujitsu PRIMEQUEST 2800B
Oracle Linux 6.9 64-bit	Intel® Xeon® E7-8800 v3	Fujitsu PRIMEQUEST 2800B2
Oracle Linux 6.9 64-bit	Intel® Xeon® E7-8800 v4	Fujitsu PRIMEQUEST 2800B3
Oracle Linux 6.9 64-bit	Intel® Xeon® E7-8800 v2	Fujitsu PRIMEQUEST 2800E
Oracle Linux 6.9 64-bit	Intel® Xeon® E7-8800 v3	Fujitsu PRIMEQUEST 2800E2
Oracle Linux 6.9 64-bit	Intel® Xeon® E7-8800 v4	Fujitsu PRIMEQUEST 2800E3
Oracle Linux 6.9 64-bit	Intel® Xeon® E7-8800 v2	Fujitsu PRIMEQUEST 2800L
Oracle Linux 6.9 64-bit	Intel® Xeon® E7-8800 v3	Fujitsu PRIMEQUEST 2800L2
Oracle Linux 6.9 64-bit	Intel® Xeon® E7-8800 v4	Fujitsu PRIMEQUEST 2800L3
Oracle Linux 6.9 64-bit	Intel® Xeon® E5-2600 v3	Fujitsu PRIMERGY BX2580 M1
Oracle Linux 6.9 64-bit	Intel® Xeon® E5-2600 v4	Fujitsu PRIMERGY BX2580 M2
Oracle Linux 6.9 64-bit	Intel® Xeon® Scalable Processors	Fujitsu PRIMERGY CX2560 M4
Oracle Linux 6.9 64-bit	Intel® Xeon® E5-2600 v3	Fujitsu PRIMERGY RX2530 M1
Oracle Linux 6.9 64-bit	Intel® Xeon® E5-2600 v4	Fujitsu PRIMERGY RX2530 M2
Oracle Linux 6.9 64-bit	Intel® Xeon® Scalable Processors	Fujitsu PRIMERGY RX2530 M4
Oracle Linux 6.9 64-bit	Intel® Xeon® E5-2600 v3	Fujitsu PRIMERGY RX2540 M1
Oracle Linux 6.9 64-bit	Intel® Xeon® E5-2600 v4	Fujitsu PRIMERGY RX2540 M2
Oracle Linux 6.9 64-bit	Intel® Xeon® Scalable Processors	Fujitsu PRIMERGY RX2540 M4
Oracle Linux 6.9 64-bit	Intel® Xeon® E7-4800 v2/E7-8800 v2	Fujitsu PRIMERGY RX4770 M1
Oracle Linux 6.9 64-bit	Intel® Xeon® E7-4800 v3/E7-8800 v3	Fujitsu PRIMERGY RX4770 M2
Oracle Linux 6.9 64-bit	Intel® Xeon® E7-4800 v4/E7-8800 v4	Fujitsu PRIMERGY RX4770 M3
Oracle Linux 6.9 64-bit	Intel® Xeon® Scalable Processors	Fujitsu PRIMERGY RX4770 M4
Oracle Linux 6.9 64-bit	Intel® Xeon® E5-2600 v3	Hitachi BladeSymphony BS2500 HCOA1
Oracle Linux 6.9 64-bit	Intel® Xeon® E5-2600 v4	Hitachi BladeSymphony BS2500 HE0A2
Oracle Linux 6.9 64-bit	Intel® Xeon® E7-4800 v3/E7-8800 v3	Hitachi BladeSymphony BS2500 HE0E2
Oracle Linux 6.9 64-bit	Intel® Xeon® E5-2600 v3	Hitachi BladeSymphony BS500 BS520H B3
Oracle Linux 6.9 64-bit	Intel® Xeon® E7-4800 v3/E7-8800 v3	Hitachi BladeSymphony BS500 BS520X B2
Oracle Linux 6.9 64-bit	Intel® Xeon® E5-2600 v3	Hitachi Compute Blade 2500

Operating Environment	Processor	Hardware
		CB520H B3
Oracle Linux 6.9 64-bit	Intel® Xeon® E5-2600 v4	Hitachi Compute Blade 2500 CB520H B4
Oracle Linux 6.9 64-bit	Intel® Xeon® E7-8800 v2	Hitachi Compute Blade 2500 CB520X B2
Oracle Linux 6.9 64-bit	Intel® Xeon® E7-8800 v3	Hitachi Compute Blade 2500 CB520X B3
Oracle Linux 6.9 64-bit	Intel® Xeon® E5-2600 v3	Hitachi Compute Blade 500 CB520H B3
Oracle Linux 6.9 64-bit	Intel® Xeon® E7-8800 v2	Hitachi Compute Blade 500 CB520X B2
Oracle Linux 6.9 64-bit	Intel® Xeon® E5-2600 v4	Hitachi HA8000 RS210 AN2
Oracle Linux 6.9 64-bit	Intel® Xeon® E5-2600 v4	Hitachi HA8000 RS220 AN2
Oracle Linux 6.9 64-bit	Intel® Xeon® E5-2600 v4	Hitachi QuantaGrid D51B-2U
Oracle Linux 6.9 64-bit	Intel® Xeon® E5-2600 v3 & v4	Hitachi QuantaPlex T41S-2U
Oracle Linux 6.9 64-bit	Intel® Xeon® E5-2600 v2	HPE ProLiant BL460c Gen8
Oracle Linux 6.9 64-bit	Intel® Xeon® E5-2600 v3	HPE ProLiant BL460c Gen9
Oracle Linux 6.9 64-bit	AMD Opteron 6300-series	HPE ProLiant BL465c Gen8
Oracle Linux 6.9 64-bit	Intel® Xeon® E5-4600 v2	HPE ProLiant BL660c Gen8
Oracle Linux 6.9 64-bit	Intel® Xeon® E5-4600 v3	HPE ProLiant BL660c Gen9
Oracle Linux 6.9 64-bit	Intel® Xeon® E5-2600 v3 & v4	HPE ProLiant DL120 Gen9
Oracle Linux 6.9 64-bit	Intel® Xeon® E5-2600 v3 & v4	HPE ProLiant DL180 Gen9
Oracle Linux 6.9 64-bit	Intel® Pentium® G2120 & Intel® Xeon® E3-1200 v2	HPE ProLiant DL320e Gen8
Oracle Linux 6.9 64-bit	Intel® Pentium® G3200-series/G3420, Core i3-4100-series/Intel® Xeon® E3-12 v3	HPE ProLiant DL320e Gen8 v2
Oracle Linux 6.9 64-bit	Intel® Xeon® E5-2600 v3 & v4	HPE ProLiant DL360 Gen9
Oracle Linux 6.9 64-bit	Intel® Xeon® Scalable 8100/6100/5100/4100/3100 Processors	HPE ProLiant DL360 Gen10
Oracle Linux 6.9 64-bit	Intel® Xeon® E5-2400/E5-2400 v2	HPE ProLiant DL360e Gen8
Oracle Linux 6.9 64-bit	Intel® Xeon® E5-2600 v3 & v4	HPE ProLiant DL360p Gen8
Oracle Linux 6.9 64-bit	Intel® Xeon® E5-2600 v3 & v4	HPE ProLiant DL380 Gen9
Oracle Linux 6.9 64-bit	Intel® Xeon® E5-2400/E5-2400 v2	HPE ProLiant DL380e Gen8
Oracle Linux 6.9 64-bit	Intel® Xeon® E5-2600/E5-2600 v2	HPE ProLiant DL380p Gen8
Oracle Linux 6.9 64-bit	Intel® Xeon® Scalable 8100/6100/5100/4100/3100 Processors	HPE ProLiant DL380 Gen10
Oracle Linux 6.9 64-bit	Intel® Xeon® E5-4600 v3 & v4	HPE ProLiant DL560 Gen9
Oracle Linux 6.9 64-bit	Intel® Xeon® Scalable 8170 Processors	HPE ProLiant DL560 Gen10
Oracle Linux 6.9 64-bit	Intel® Xeon® E7-4800 v2/E7-8800 v2	HPE ProLiant DL580 Gen8
Oracle Linux 6.9 64-bit	Intel® Xeon® E7-4800 v3/E7-8800 v3	HPE ProLiant DL580 Gen9
Oracle Linux 6.9 64-bit	Intel® Xeon® X7560, X6550, E6540, E7520	HPE ProLiant DL980 G7
Oracle Linux 6.9 64-bit	Intel® Xeon® E5-2600 v3 & v4	HPE ProLiant ML350 Gen9
Oracle Linux 6.9 64-bit	Intel® Xeon® E5-2600 v3	HPE ProLiant XL450 Gen9 (Apollo 4500)
Oracle Linux 6.9 64-bit	Intel® Xeon® E5-2600 v4	HPE Synergy 480 Gen9 Compute Module
Oracle Linux 6.9 64-bit	Intel® Xeon® Scalable 8100/6100/5100/4100/3100 Processors	HPE Synergy 480 Gen10 Compute Module

Operating Environment	Processor	Hardware
Oracle Linux 6.9 64-bit	Intel® Xeon® E7-4800 v4/E7-8800 v4	HPE Synergy 620 Gen9 Compute Module
Oracle Linux 6.9 64-bit	Intel® Xeon® Scalable 8100/6100/5100 Processors	HPE Synergy 660 Gen10 Compute Module
Oracle Linux 6.9 64-bit	Intel® Xeon® E7-4800 v4/E7-8800 v4	HPE Synergy 680 Gen9 Compute Module
Oracle Linux 6.9 64-bit	Intel® Xeon® Scalable Processors	Huawei FusionServer 1288H V5
Oracle Linux 6.9 64-bit	Intel® Xeon® Scalable Processors	Huawei FusionServer 2288H V5
Oracle Linux 6.9 64-bit	Intel® Xeon® Scalable Processors	Huawei FusionServer CH121 V5
Oracle Linux 6.9 64-bit	Intel® Xeon® Scalable Processors	Huawei FusionServer CH121L V5
Oracle Linux 6.9 64-bit	Intel® Xeon® Scalable Processors	Huawei FusionServer CH242 V5
Oracle Linux 6.9 64-bit	Intel® Xeon® E5-2600 v3 & v4	Huawei FusionServer RH2288H V3
Oracle Linux 6.9 64-bit	Intel® Xeon® Scalable Processors	Huawei FusionServer XH321 V5
Oracle Linux 6.9 64-bit	Intel® Xeon® E5-2600 v3	Inspur Yingxin NF5180M4
Oracle Linux 6.9 64-bit	Intel® Xeon® Scalable Processors	Inspur Yingxin NF5180M5
Oracle Linux 6.9 64-bit	Intel® Xeon® E5-2600 v3 & v4	Inspur Yingxin NF5240M4
Oracle Linux 6.9 64-bit	Intel® Xeon® E5-2600 v2	Inspur Yingxin NF5270M3
Oracle Linux 6.9 64-bit	Intel® Xeon® Scalable Processors	Inspur Yingxin NF5180M5
Oracle Linux 6.9 64-bit	Intel® Xeon® E5-2600 v3 & v4	Inspur Yingxin NF5280M4
Oracle Linux 6.9 64-bit	Intel® Xeon® Scalable Processors	Inspur Yingxin NF5280M5
Oracle Linux 6.9 64-bit	Intel® Xeon® E5-2600 v3 & v4	Inspur Yingxin NF5460M4
Oracle Linux 6.9 64-bit	Intel® Xeon® E7-4800 v3 & v4/E7-8800 v3 & v4	Inspur Yingxin NX8480M4
Oracle Linux 6.9 64-bit	Intel® Xeon® E5-2600 v4	Lenovo System x3650 M5
Oracle Linux 6.9 64-bit	Intel® Xeon® E7-4800 v4/E7-8800 v4	Lenovo System x3850 X6
Oracle Linux 6.9 64-bit	Intel® Xeon® E5-4800 v4/E7-8800 v4	NEC Express 5800/R120g-1M
Oracle Linux 6.9 64-bit	Intel® Xeon® E5-2600 v4	NEC Express 5800/R120g-2M
Oracle Linux 6.9 64-bit	Intel® Xeon® E5-2600 v3	Oracle Netra Server X5-2
Oracle Linux 6.9 64-bit	Intel® Xeon® E5-2600 v3	Oracle Server X5-2
Oracle Linux 6.9 64-bit	Intel® Xeon® E5-2600 v3	Oracle Server X5-2L
Oracle Linux 6.9 64-bit	Intel® Xeon® E7-8800 v3	Oracle Server X5-4
Oracle Linux 6.9 64-bit	Intel® Xeon® E7-8800 v3	Oracle Server X5-8
Oracle Linux 6.9 64-bit	Intel® Xeon® E5-2600 v4	Oracle Server X6-2
Oracle Linux 6.9 64-bit	Intel® Xeon® E5-2600 v4	Oracle Server X6-2L
Oracle Linux 6.9 64-bit	Intel® Xeon® E5-2600 v4	Oracle Server X6-2M
Oracle Linux 6.9 64-bit	Intel® Xeon® Scalable 8100/6100/4100 Processors	Oracle Server X7-2
Oracle Linux 6.9 64-bit	Intel® Xeon® Scalable 8100/6100/4100 Processors	Oracle Server X7-2L
Oracle Linux 6.9 64-bit	Intel® Xeon® Scalable 8100/6100 Processors	Oracle Server X7-8
Oracle Linux 6.9 64-bit	Intel® Xeon® x7500-series	Oracle Sun Fire X4470
Oracle Linux 6.9 64-bit	Intel® Xeon® x7500-series	Oracle Sun Fire X4800
Oracle Linux 6.9 64-bit	Intel® Xeon® E7-8800	Oracle Sun Server X2-8
Oracle Linux 6.9 64-bit	Intel® Xeon® E7-4800	Oracle Sun Server X2-4
Oracle Linux 6.9 64-bit	Intel® Xeon® E5-2600	Oracle Sun Server X3-2
Oracle Linux 6.9 64-bit	Intel® Xeon® E5-2600	Oracle Sun Server X3-2L

Operating Environment	Processor	Hardware
Oracle Linux 6.9 64-bit	Intel® Xeon® E5-2600 v2	Oracle Sun Server X4-2
Oracle Linux 6.9 64-bit	Intel® Xeon® E5-2600 v2	Oracle Sun Server X4-2L
Oracle Linux 6.9 64-bit	Intel® Xeon® E7-8800 v2	Oracle Sun Server X4-4
Oracle Linux 6.9 64-bit	Intel® Xeon® E7-8800 v2	Oracle Sun Server X4-8

Table 7: Vendor Affirmed Operational Environments

Note: CMVP makes no statement as to the correct operation of the module or the security strengths of the generated keys when so ported if the specific operational environment is not listed on the validation certificate.

6.3 Operational Environment Policy

The operating system is restricted to a single operator (concurrent operators are explicitly excluded).

The application that makes calls to the module is the single user of the module, even when the application is serving multiple clients.

In operational mode, the ptrace system call, the debugger gdb, and strace shall be not used. In addition, other tracing mechanisms offered by the Linux environment, such as ftrace or systemtap, shall not be used.

7. Roles, Services and Authentication

This section defines the roles, services, and authentication mechanisms and methods with respect to the applicable FIPS 140-2 requirements.

7.1 Roles

The module implements a Crypto Officer (CO) role and a User role:

- The CO role is supported for the installation and initialization of the module. Also, the CO role can access other general-purpose services (such as message digest and random number generation services) and status services of the module. The CO does not have access to any service that utilizes the secret or private keys of the module. The CO must control the access to the module both before and after installation, including management of physical access to the computer, executing the module code as well as management of the security facilities provided by the operating system.
- The User role has access to all cryptographically secure services which use the secret or private keys of the module. It is also responsible for the retrieval, updating and deletion of keys from the private key database.

7.2 FIPS Approved Operator Services and Descriptions

The module has a set of API functions denoted by FC_xxx as listed in Table 8. Among the module's API functions, only FC_GetFunctionList is exported and therefore callable by its name. All the other API functions must be called via the function pointers returned by FC_GetFunctionList. It returns a CK_FUNCTION_LIST structure containing function pointers named C_xxx such as C_Initialize and C_Finalize. The C_xxx function pointers in the CK_FUNCTION_LIST structure returned by FC_GetFunctionList point to the FC_xxx functions.

The following convention is used to describe API function calls. Here FC_Initialize is used as an example:

- When “call FC_Initialize” is mentioned, the technical equivalent of “call the FC_Initialize function via the C_Initialize function pointer in the CK_FUNCTION_LIST structure returned by FC_GetFunctionList” is implied.

The module supports Crypto-Officer services which require no operator authentication, and User services which require operator authentication. Crypto-Officer services do not require access to the secret and private keys and other CSPs associated with the user. The message digesting services are available to Crypto-Officer only when CSPs are not accessed. User services which access CSPs (e.g., FC_GenerateKey, FC_GenerateKeyPair) require operator authentication.

Table 8 lists all the services available in FIPS Approved mode. Please refer to Table 2 and Table 3 for the Approved or allowed cryptographic algorithms supported by the module.

U	CO	Service Name	Function	Service Description	Keys and CSP(s)	Access
	X	Get Function List	FC_GetFunctionList	Return a pointer to the list of function pointers for the operational mode	None	X
	X	Module Initialization	FC_InitToken	Initialize or re-initialize a token	User password and all keys	Z
	X		FC_InitPIN	Initialize the user's password, i.e., set the user's initial password	User password	W
	X	General Purpose	FC_Initialize	Initialize the module library	None	X
	X		FC_Finalize	Finalize (shut down) the module library	All keys	Z
	X		FC_GetInfo	Obtain general information about the module library	None	X
	X	Slot and Token Management	FC_GetSlotList	Obtain a list of slots in the system	None	X
	X		FC_GetSlotInfo	Obtain information about a particular slot	None	X
	X		FC_GetTokenInfo	Obtain information about the token (This function provides the Show Status service)	None	X
	X		FC_GetMechanismList	Obtain a list of mechanisms (cryptographic algorithms) supported by a token	None	X
	X		FC_GetMechanismInfo	Obtain information about a particular mechanism	None	X
X			FC_SetPIN	Change the user's password	User password	R, W
	X	Session Management	FC_OpenSession	Open a connection (session) between an application and a particular token	None	X
	X		FC_CloseSession	Close a session	All keys for the session	Z
	X		FC_CloseAllSessions	Close all sessions with a token	All keys	Z
	X		FC_GetSessionInfo	Obtain information about the session (This function provides the Show Status service)	None	X
	X		FC_GetOperationState	Save the state of the cryptographic operations in a session (This function is only implemented for message digest operations)	None	X
	X		FC_SetOperationState	Restore the state of the cryptographic operations in a session (This function is only implemented for message digest operations)	None	X
X			FC_Login	Log into a token	User Password	R, W, X
X			FC_Logout	Log out from a token	None	X
X		Object Management	FC_CreateObject	Create a new object	Key	W

U	CO	Service Name	Function	Service Description	Keys and CSP(s)	Access
X			FC_CopyObject	Create a copy of an object	Original Key, new key ¹	R, W
X			FC_DestroyObject	Destroy an object	Key	Z
X			FC_GetObjectSize	Obtain the size of an object in bytes	Key	R
X			FC_GetAttributeValue	Obtain an attribute value of an object	Key	R
X			FC_SetAttributeValue	Modify an attribute value of an object	Key	W
X			FC_FindObjectsInit	Initialize an object search operation	None	X
X			FC_FindObjects	Continue an object search operation	Keys matching the search criteria	R
X			FC_FindObjectsFinal	Finish an object search operation	None	X
X			Encryption and Decryption	FC_EncryptInit	Initialize an encryption operation	AES/Triple-DES key
X		FC_Encrypt		Encrypt single-part data	AES/Triple-DES key	R
X		FC_EncryptUpdate		Continue a multiple-part encryption operation	AES/Triple-DES key	R
X		FC_EncryptFinal		Finish a multiple-part encryption operation	AES/Triple-DES key	R
X		FC_DecryptInit		Initialize a decryption operation	AES/Triple-DES key	R
X		FC_Decrypt		Decrypt single-part encrypted data	AES/Triple-DES key	R
X		FC_DecryptUpdate		Continue a multiple-part decryption operation	AES/Triple-DES key	R
X		FC_DecryptFinal		Finish a multiple-part decryption operation	AES/Triple-DES key	R
	X	Message Digest	FC_DigestInit	Initialize a message digesting operation	None	X
	X		FC_Digest	Digest single-part data	None	X
	X		FC_DigestUpdate	Continue a multiple-part digesting operation	None	X
X			FC_DigestKey	Continue a multiple-part message-digesting operation by digesting the value of a secret key as part of the data already digested	HMAC Key	R
	X		FC_DigestFinal	Finish a multiple-part digesting operation	None	X
X		Signature Generation and Verification	FC_SignInit	Initialize a signature operation	DSA/ECDSA/RSA private key, HMAC key	R
X			FC_Sign	Sign single-part data	DSA/ECDSA/RSA private key, HMAC key	R
X			FC_SignUpdate	Continue a multiple-part signature operation	DSA/ECDSA/RSA private key, HMAC key	R
X			FC_SignFinal	Finish a multiple-part signature operation	DSA/ECDSA/RSA private key, HMAC key	R

¹ 'Original key' and 'New key' are the secret keys or public/private key pairs.

U	CO	Service Name	Function	Service Description	Keys and CSP(s)	Access
X			FC_SignRecoverInit	Initialize a signature operation, where the data can be recovered from the signature	DSA/ECDSA/RSA private key	R
X			FC_SignRecover	Sign single-part data, where the data can be recovered from the signature	DSA/ECDSA/RSA private key	R
X			FC_VerifyInit	Initialize a verification operation	DSA/ECDSA/RSA public key, HMAC key	R
X			FC_Verify	Verify a signature on single-part data	DSA/ECDSA/RSA public key, HMAC key	R
X			FC_VerifyUpdate	Continue a multiple-part verification operation	DSA/ECDSA/RSA public key, HMAC key	R
X			FC_VerifyFinal	Finish a multiple-part verification operation	DSA/ECDSA/RSA public key, HMAC key	R
X			FC_VerifyRecoverInit	Initialize a verification operation, where the data is recovered from the signature	DSA/ECDSA/RSA public key	R
X			FC_VerifyRecover	Verify a signature on single-part data, where the data is recovered from the signature	DSA/ECDSA/RSA public key	R
X			Dual Function Cryptographic Operations	FC_DigestEncryptUpdate	Continue a multiple-part digesting and encryption operation	AES/Triple-DES key
X		FC_DecryptDigestUpdate		Continue a multiple-part decryption and digesting operation	AES/Triple-DES key	R
X		FC_SignEncryptUpdate		Continue a multiple-part signing and encryption operation	DSA/ECDSA/RSA private key, HMAC key, AES/Triple-DES key	R
X		FC_DecryptVerifyUpdate		Continue a multiple-part decryption and verify operation	DSA/ECDSA/RSA public key, HMAC key, AES/Triple-DES key	R
X		Key Management	FC_GenerateKey	Generate a secret key (Also used by TLS to generate a pre-master secret)	AES/Triple-DES/HMAC key, TLS pre-master secret	W
			FC_GenerateKeyPair	Generate a public/private key pair (This function performs the pair-wise consistency tests)	RSA/DSA/ECDSA key pair, Diffie-Hellman/EC Diffie-Hellman key pair	W
			FC_WrapKey	Wrap (encrypt) a key using one of the following mechanisms: (1) RSA encryption	Wrapping Key ² , Key to be wrapped ³	R

² 'Wrapping key' corresponds to the secret key or public key used to wrap another key.

³ 'Key to be wrapped' is the key that is wrapped by the 'wrapping key'.

U	CO	Service Name	Function	Service Description	Keys and CSP(s)	Access
			FC_UnwrapKey	Unwrap (decrypt) a key using one of the following mechanisms: (1) RSA decryption	Unwrapping key ⁴	R
					Unwrapped key ⁵	W
			FC_DeriveKey	Derive a key from TLS master secret which is derived from TLS premaster secret	TLS pre-master secret	R
					TLS master secret	R, W
					Derived key ⁶	W
	X	Random Number Generation	FC_SeedRandom	Mix in additional seed material to the random number generator	Entropy input string, seed, DRBG V and C values	R, W
			FC_GenerateRandom	Generate random data (This function performs the continuous random number generator test)	Random data, DRBG V and C values	R, W
	X	Parallel Function Management	FC_GetFunctionStatus	A legacy function, which simply returns the value 0x00000051 (function not parallel)	None	X
			FC_CancelFunction	A legacy function, which simply returns the value 0x00000051 (function not parallel)	None	X
	X	Self-Tests	N/A	The self-tests are performed automatically when loading the module	DSA 2048-bit public key for module integrity test	R
X		Zeroization	FC_DestroyObject	All CSPs are automatically zeroized when freeing the cipher handle	All secret or private keys and password	Z
	X		FC_InitToken			
			FC_Finalize			
			FC_CloseSession FC_CloseAllSessions			

R – Read, W – Write, X – Execute, Z - Zeroize

Table 8: FIPS Approved Operator Services and Descriptions

Note: The message digesting functions (except FC_DigestKey) that do not use any keys of the module can be accessed by the Crypto-Officer role and do not require authentication to the module. The FC_DigestKey API function computes the message digest (hash) of the value of a secret key, so it is available only to the User role.

⁴ 'Unwrapping key' corresponds to the secret key or private key used to unwrap another key.

⁵ 'Unwrapped key' is the plaintext key that has not been wrapped by a 'wrapping key'.

⁶ 'Derived key' is the key obtained by a key derivation function which takes the 'TLS master secret' as input.

7.3 Non-FIPS Approved Services and Descriptions

Table 9 lists all the services available in non-Approved mode with API function and the non- Approved algorithm that the function may invoke. Please note that the functions are the same as the ones listed in Table 8, but the underneath non-Approved algorithms are invoked. Please also refer to Table 4 for the non-Approved algorithms. If any service invokes the non-Approved algorithms, then the module will enter non-Approved mode implicitly.

Service Name	Function	Non-Approved Algorithm Invoked
Encryption and Decryption	FC_EncryptInit	AES-GCM mode, AES-CTS mode, Camellia, DES, RC2, RC4, RC5, SEED, Two-Key Triple-DES
	FC_Encrypt	
	FC_EncryptUpdate	
	FC_EncryptFinal	
	FC_DecryptInit	AES-GCM mode, AES-CTS mode, Camellia, DES, RC2, RC4, RC5, SEED, Two-key Triple-DES
	FC_Decrypt	
	FC_DecryptUpdate	
	FC_DecryptFinal	
Message Digest	FC_DigestInit	MD2, MD5
	FC_Digest	
	FC_DigestUpdate	
	FC_DigestKey	
	FC_DigestFinal	
Signature Generation and Verification	FC_SignInit	DSA signature generation with non- approved key size < 2048, RSA signature generation with non- approved key sizes < 2048
	FC_Sign	
	FC_SignUpdate	
	FC_SignFinal	
	FC_SignRecoverInit	
	FC_SignRecover	
	FC_VerifyInit	DSA signature verification with non- approved key sizes < 1024, RSA signature verification with non- approved key sizes < 1024
	FC_Verify	
	FC_VerifyUpdate	
	FC_VerifyFinal	
	FC_VerifyRecoverInit	
	FC_VerifyRecover	
Dual Function Cryptographic	FC_DigestEncryptUpdate	MD2, MD5, AES-GCM mode, AES-CTS mode, Camellia, DES, RC2, RC4, RC5, SEED, Two-Key Triple-DES
	FC_DecryptDigestUpdate	AES-GCM mode, AES-CTS mode, Camellia, DES, RC2, RC4, RC5, SEED, MD2, MD5

Service Name	Function	Non-Approved Algorithm Invoked
Operations	FC_SignEncryptUpdate	DSA signature generation with non- approved key sizes < 2048, RSA signature generation with non- approved key sizes < 2048, AES-GCM mode, AES CTS mode, Camellia, DES, RC2, RC4, RC5, SEED, Two-key Triple-DES
	FC_DecryptVerifyUpdate	DSA signature verification with non- approved key sizes < 1024, RSA signature verification with non- approved key sizes < 1024, AES-GCM mode, AES-CTS mode, Camellia, DES, RC2, RC4, RC5, SEED, Two-key Triple-DES
Key Management	FC_GenerateKeyPair	DSA key pair generation with non-approved key sizes < 2048, RSA key pair generation with non-compliant key sizes < 2048
	FC_WrapKey	Triple-DES key wrapping (encrypt) using Two-key or Three-key Triple-DES, RSA key wrapping (encrypt) with non-approved key sizes < 2048, non-SP800-38F compliant AES key wrapping (encrypt)
	FC_UnwrapKey	Triple-DES key wrapping (decrypt) using Two-key Triple-DES, RSA key wrapping (decrypt) with non-approved key sizes < 2048, non-SP800-38F compliant AES key unwrapping (decrypt)
	FC_DeriveKey	Diffie-Hellman key agreement with key sizes < 2048, J-PAKE key agreement

Table 9: Non-FIPS Approved Operator Services and Descriptions

7.4 Operator Authentication

7.4.1 Role Assumption

The CO role is implicitly assumed by an operator while installing the module by following the instructions in Section 10.1 and while performing other CO services on the module.

The module implements a password-based authentication for the User role. To perform any security services under the User role, an operator must log into the module and complete an authentication procedure using the password information unique to the User role operator. The password is passed to the module via the API function as an input argument and won't be displayed. The return value of the function is the only feedback mechanism, which does not provide any information that could be used to guess or determine the User's password. The password is initialized by the CO role as part of module initialization and can be changed by the User role operator.

If a User-role service is called before the operator is authenticated, it returns the CKR_USER_NOT_LOGGED_IN error code. The operator must call the FC_Login function to provide the required authentication.

Once a password has been established for the module, the user is allowed to use the security services if and only if the user is successfully authenticated to the module. Password establishment and authentication are required for the operation of the module. When the module is powered off, the result of previous authentication will be cleared and the user needs to be re-authenticated.

7.4.2 Strength of Authentication Mechanism

The module imposes the following requirements on the password. These requirements are enforced by the module on password initialization or change.

- The password must be at least seven characters long.
- The password must consist of characters from three or more character classes. We define five character classes: digits (0-9), ASCII lowercase letters (a-z), ASCII uppercase letters (AZ), ASCII non-alphanumeric characters (space and other ASCII special characters such as '\$', '!'), and non-ASCII characters (Latin characters such as 'e', 's'; Greek characters such as 'Ω', 'θ'; other non-ASCII special characters such as '.'). If an ASCII uppercase letter is the first character of the password, the uppercase letter is not counted toward its character class. Similarly, if a digit is the last character of the password, the digit is not counted toward its character class.

To estimate the maximum probability that a random guess of the password will succeed, we assume that:

- The characters of the password are independent with each other.
- The password contains the smallest combination of the character classes, which are five digits, one ASCII lowercase letter and one ASCII uppercase letter. The probability to guess every character successfully is $(1/10)^5 * (1/26) * (1/26) = 1/67,600,000$.

Since the password can contain seven characters from any three or more of the aforementioned five character classes, the probability that a random guess of the password will succeed is less than or equals to $1/67,600,000$, which is smaller than the required threshold $1/1,000,000$.

After each failed authentication attempt, the NSS cryptographic module inserts a one-second delay before returning to the caller, allowing at most 60 authentication attempts during a one-minute period. Therefore, the probability of a successful random guess of the password during a one-minute period is less than or equals to $60 * 1/67,600,000 = 0.089 * (1/100,000)$, which is smaller than the required threshold $1/100,000$.

8. Key and CSP Management

The following keys, cryptographic key components and other critical security parameters are contained in the module.

CSP Name	Generation	Entry/Output	Storage	Zeroization
AES Keys (128, 192, 256 bits)	NIST SP 800-90A DRBG	Encrypted through key wrapping using FC_WrapKey	Application memory or key database	Automatically zeroized when freeing the cipher handle
Triple-DES Keys (192 bits)	NIST SP 800-90A DRBG	Encrypted through key wrapping using FC_WrapKey	Application memory or key database	Automatically zeroized when freeing the cipher handle
DSA Private Keys (2048 and 3072 bits)	FIPS 186-4	Encrypted through key wrapping using FC_WrapKey	Application memory or key database	Automatically zeroized when freeing the cipher handle
ECDSA Private Keys (P-256, P-384, P-521)	FIPS 186-4	Encrypted through key wrapping using FC_WrapKey	Application memory or key database	Automatically zeroized when freeing the cipher handle
RSA Private Keys (2048, 3072, 4096 bits)	FIPS 186-4	Encrypted through key wrapping using FC_WrapKey	Application memory or key database	Automatically zeroized when freeing the cipher handle
HMAC Key (≥ 112 bits)	NIST SP 800-90A DRBG	Encrypted through key wrapping using FC_WrapKey	Application memory or key database	Automatically zeroized when freeing the cipher handle
DRBG Entropy Input String and Seed	Obtained from NDRNG	N/A	Application memory	Automatically zeroized when freeing DRBG handle
DRBG V and C values	Derived from DRBG entropy input	N/A	Application memory	Automatically zeroized when freeing DRBG handle
TLS Pre-Master Secret	Use of SP 800-90A DRBG during DH/ECDH key agreement	N/A	Application memory	Automatically zeroized when freeing the cipher handle
TLS Master Secret	Derived from TLS pre-master secret	N/A	Application memory	Automatically zeroized when freeing the cipher handle
Diffie-Hellman private keys between 2048 and 15360 bits	NIST SP 800-90A DRBG	N/A	Application memory	Automatically zeroized when freeing the cipher handle
EC Diffie-Hellman private keys with P-256, P-384 and P-521 curves	NIST SP 800-90A DRBG	N/A	Application memory	Automatically zeroized when freeing the cipher handle
User Passwords	N/A (supplied by the calling application)	N/A (input through API parameter)	Application memory or key database in salted form	Automatically zeroized when the module is reinitialized or overwritten when the user changes its password

Table 10: CSP Table

8.1 Random Number Generation

The module employs a NIST SP800-90A Hash_DRBG with SHA-256 to generate symmetric keys, HMAC keys. For symmetric keys, the generated key is an unmodified output from a DRBG. For generating asymmetric keys, the module implements key generation services compliant with FIPS186-4, and the seed (i.e. the random value) used in asymmetric key generation is obtained from SP800-90A DRBG. In accordance with FIPS 140-2 IG D.12, the cryptographic module performs Cryptographic Key Generation (CKG) as per SP800-133 (vendor affirmed).

The module uses NDRNG from /dev/urandom as a source of entropy for seeding the DRBG. The NDRNG is provided by the operating environment (i.e., Linux RNG), which is within the module's physical boundary but outside of its logical boundary. The NDRNG provides at least 130 bits of entropy to the DRBG.

CAVEAT: The module generates cryptographic keys whose strengths are modified by available entropy.

Reseeding is performed by pulling more data from /dev/urandom. A product using the module should periodically reseed the module's DRBG with unpredictable noise by calling FC_SeedRandom. After 2^{48} calls to the random number generator the module reseeds automatically. The module performs DRBG health testing as specified in Section 11.3 of NIST SP800-90A and the continuous random number generator test (CRNGT) on the output of DRBG to ensure that consecutive random numbers do not repeat. The underlying operating system performs the continuous test on the NDRNG.

8.2 Key/CSP Storage

The module employs the cryptographic keys and CSPs in the FIPS Approved mode of operation as listed in Table 10. The module does not perform persistent storage for any keys or CSPs. Note that the private key database (provided with the files key3.db/key4.db) mentioned in Table 10 is within the module's physical boundary but outside its logical boundary.

8.3 Key/CSP Zeroization

The application that uses the module is responsible for appropriate zeroization of the key material. The module provides zeroization methods to clear the memory region previously occupied by a plaintext secret key, private key or password. A plaintext secret or private key gets zeroized when it is passed to an FC_DestroyObject call. All plaintext secret and private keys must be zeroized when the module is shut down (with an FC_Finalize call), reinitialized (with an FC_InitToken call), or when the session is closed (with an FC_CloseSession or FC_CloseAllSessions call). All zeroization is to be performed by storing the value 0 into every byte of the memory region that is previously occupied by a plaintext secret key, private key or password. Zeroization is performed in a time that is not sufficient to compromise plaintext secret or private keys and password.

9. Self-Tests

FIPS 140-2 requires that the module perform self-tests to ensure the integrity of the module, and the correctness of the cryptographic functionality at start up. In addition, conditional tests are required during operational stage of the module. All of these tests are listed and described in this section.

9.1 Power-Up Self-Tests

All the power-up self-tests are performed automatically by initializing or re-initializing the module without requiring any operator intervention. During the power-up self-tests, no cryptographic operation is available and all input or output is inhibited. Once the power-up self-tests are completed successfully, the module enters operational mode and cryptographic operations are available. If any of the power-up self-tests fail, the module enters the Error state. In Error state, all output is inhibited and no cryptographic operation is allowed. The module returns the error code `CKR_DEVICE_ERROR` to the calling application to indicate the Error state. The module needs to be reinitialized in order to recover from the Error state. The following table provides the lists of Known-Answer Test (KAT) and Integrity Test as the power up self-tests:

Algorithm	Test
AES	KATs for ECB and CBC modes: encryption and decryption are tested separately
Triple-DES	KATs for ECB and CBC modes: encryption and decryption are tested separately
DSA	KAT: signature generation and verification are tested separately
ECDSA	KAT: signature generation and verification are tested separately
RSA	KAT: encryption and decryption are tested separately KAT: signature generation and verification are tested separately
SHA	KAT: SHA-1, SHA-224, SHA-256, SHA-384, SHA-512
HMAC	KAT: HMAC-SHA-1, HMAC-SHA-224, HMAC-SHA-256, HMAC-SHA-384, HMAC-SHA-512
DRBG	KAT of Hash_DRBG with SHA-256
Module Integrity	DSA signature verification with 2048 bits key and SHA-256

Table 11: Power-On Self-Tests

The power-up self-tests can be performed on demand by reinitializing the module.

9.2 Conditional Self-Tests

The following table provides the lists of Pairwise Consistency Test (PCT) and Continuous Random Number Generation Test (CRNGT) as the conditional self-tests. If any of the conditional test fails, the module enters the Error state. It returns the error code `CKR_DEVICE_ERROR` to the calling application to indicate the Error state. The module needs to be reinitialized in order to recover from the Error state.

Algorithm	Test
RSA	PCT for RSA key generation
DSA	PCT for DSA key generation
ECDSA	PCT for ECDSA key generation
DRBG	CRNGT

Table 12: Conditional Self-Tests

10. Crypto-Officer and User Guidance

10.1 Crypto-Officer Guidance

The version of the RPMs containing the FIPS validated module is stated in Section 3.1.

To configure the operating environment to support FIPS, perform the following steps:

1. Install the dracut-fips package:
yum install dracut-fips
2. Recreate the INITRAMFS image:
dracut -f

After regenerating the initramfs, the Crypto Officer has to append the following string to the kernel command line by changing the setting in the boot loader:

```
fips=1
```

If /boot or /boot/efi resides on a separate partition, the kernel parameter boot=<partition of /boot or /boot/efi> must be supplied. The partition can be identified with the command:

```
"df /boot"
```

or

```
"df /boot/efi"
```

For example:

```
$ df /boot
```

<u>Filesystem</u>	<u>1K-blocks</u>	<u>Used</u>	<u>Available</u>	<u>Use%</u>	<u>Mounted on</u>
/dev/sda1	233191	30454	190296	14%	/boot

The partition of /boot is located on /dev/sda1 in this example. Therefore, the following string needs to be appended to the kernel command line:

```
"boot=/dev/sda1"
```

Reboot to apply these settings.

After performing the above configuration, the Crypto Officer should proceed for module installation. The RPM package of the module can be installed by standard tools recommended for the installation of Oracle packages on an Oracle Linux system (for example, yum, RPM, and the RHN remote management tool). The integrity of the RPM is automatically verified during the installation of the module and the Crypto Officer shall not install the RPM file if the Oracle Linux Yum Server indicates an integrity error. The RPM files listed in Section 3.1 are signed by Oracle and verified during installation. Yum performs signature verification which ensures the secure delivery of the cryptographic module. If the RPM packages are downloaded manually, then the CO should run 'rpm -K <rpm-file-name>' command after importing the builder's GPG key to verify the package signature. In addition, the CO can also verify the hash of the RPM package to confirm a proper download.

In addition, to support the module, the NSPR library must be installed that is offered by the underlying operating system.

10.1.1 Access to Audit Data

The module may use the Unix syslog function and the audit mechanism provided by the operating system to audit events. Auditing is turned off by default. Auditing capability must be turned on as part of the initialization procedures by setting the environment variable `NSS_ENABLE_AUDIT` to 1.

The Crypto-Officer must also configure the operating system's audit mechanism. The module uses the syslog function to audit events, so the audit data are stored in the system log. Only the root user can modify the system log. On some platforms, only the root user can read the system log; on other platforms, all users can read the system log. The system log is usually under the `/var/log` directory. The exact location of the system log is specified in the `/etc/syslog.conf` file. The module uses the default user facility and the info, warning, and err severity levels for its log messages.

The module can also be configured to use the audit mechanism provided by the operating system to audit events. The audit data would then be stored in the system audit log. Only the root user can read or modify the system audit log. To turn on this capability it is necessary to create a symbolic link from the library file `/usr/lib64/libaudit.so.0` to `/usr/lib64/libaudit.so.1.0.0` (on 64-bit platforms).

10.2 User Guidance

In order to run the module in FIPS-Approved mode, only the FIPS Approved or allowed services listed in Table 8 with the validated or allowed cryptographic algorithms/security functions listed in Table 2 and Table 3 should be used.

The following module initialization steps must be followed before starting to use the NSS module:

- Set the environment variable `NSS_ENABLE_AUDIT` to 1 before using the module with an application.
- Use the application to get the function pointer list using the API “`FC_GetFunctionList`”.
- Use the API `FC_Initialize` to initialize the module and ensure that it returns `CKR_OK`. A return code other than `CKR_OK` means the module is not initialized correctly, and in that case, the module must be reset and initialized again.
- For the first login, provide a NULL password and login using the function pointer `C_Login`, which will in-turn call `FC_Login` API of the module. This is required to set the initial NSS User password.
- Now, set the initial NSS User role password using the function pointer `C_InitPIN`. This will call the module's API `FC_InitPIN` API. Then, logout using the function pointer `C_Logout`, which will call the module's API `FC_Logout`.
- The NSS User role can now be assumed on the module by logging in using the User password. And the Crypto-Officer role can be implicitly assumed by performing the Crypto-Officer services as listed in Section 7.2.

The module can be configured to use different private key database formats: `key3.db` or `key4.db`. “`key3.db`” format is based on the Berkeley DataBase engine and should not be used by more than one process concurrently. “`key4.db`” format is based on SQL DataBase engine and can be used concurrently by multiple processes. Both databases are considered outside the module's logical boundary and all data stored in these databases is considered stored in plaintext. The interface code of the module that accesses data stored in the database is considered part of the cryptographic boundary.

Secret and private keys, plaintext passwords and other security-relevant data items are maintained under the control of the cryptographic module. Secret and private keys must be passed to the calling application in encrypted (wrapped) form with `FC_WrapKey` and entered from calling application in encrypted form with



FC_UnwrapKey. The key transport methods allowed for this purpose in FIPS Approved mode are AES, Triple-DES and RSA key wrapping using the corresponding Approved modes and key sizes. *Note:* If the secret and private keys passed to the calling application are encrypted using a symmetric key algorithm, the encryption key may be derived from a password. In such a case, they should be considered to be in plaintext form.

Automated key transport methods must use FC_WrapKey and FC_UnwrapKey to output or input secret and private keys from or to the module.

All cryptographic keys used in the FIPS Approved mode of operation must be generated in the FIPS Approved mode or imported while running in the FIPS Approved mode.

10.2.1 TLS Operations

The module does not implement the TLS protocol. The module implements the cryptographic operations, including TLS-specific key generation and derivation operations, which can be used to implement the TLS protocol.

10.2.2 RSA and DSA Keys

The module allows the use of 1024 bits RSA and DSA keys for legacy purposes including signature generation, which is disallowed to be used in FIPS Approved mode as per NIST SP800-131A.

Therefore, the cryptographic operations with the non-approved key sizes will result the module operating in non-Approved mode implicitly.

The Approved algorithms shall not use the RSA keys that are generated by the module's non-Approved RSA key generation method.

10.2.3 Triple-DES keys

According to IG A.13, the same Triple-DES key shall not be used to encrypt more than 2^{28} 64-bit blocks of data.

10.3 Handling Self-Test Errors

When the module enters the Error state, it needs to be reinitialized to resume normal operation. Reinitialization is accomplished by calling FC_Finalize followed by FC_Initialize.

11. Mitigation of Other Attacks

The module is designed to mitigate the following attacks.

Attack	Mitigation Mechanism	Specific Limit
Timing attacks on RSA	<p>RSA blinding</p> <p>Timing attack on RSA was first demonstrated by Paul Kocher in 1996 [15], who contributed the mitigation code to our module.</p> <p>Most recently Boneh and Brumley [16] showed that RSA blinding is an effective defense against timing attacks on RSA.</p>	None.
Cache-timing attacks on the modular exponentiation operation used in RSA and DSA	<p>Cache invariant modular exponentiation</p> <p>This is a variant of a modular exponentiation implementation that Colin Percival [17] showed to defend against cache-timing attacks</p>	This mechanism requires intimate knowledge of the cache line sizes of the processor. The mechanism may be ineffective when the module is running on a processor whose cache line sizes are unknown.
Arithmetic errors in RSA signatures	<p>Double-checking RSA signatures</p> <p>Arithmetic errors in RSA signatures might leak the private key. Ferguson and Schneier [18] recommend that every RSA signature generation should verify the signature just generated.</p>	None.

Table 13: Mitigation of Other Attacks

Acronyms, Terms and Abbreviations

Term	Definition
AES	Advanced Encryption Standard
AES-NI	Intel Advanced Encryption Standard New Instructions
CBC	Cipher Block Chaining
CMVP	Cryptographic Module Validation Program
CSE	Communications Security Establishment
CSP	Critical Security Parameter
CTR	Counter Block Chaining
CVL	Component Validation List
DES	Data Encryption Standard
DSA	Digital Signature Algorithm
ECB	Electronic Code Book
DRBG	Deterministic Random Bit Generator
ECDSA	Elliptic Curve Digital Signature Algorithm
GCM	Galois/Counter Mode
HMAC	(Keyed) Hash Message Authentication Code
MAC	Message Authentication Code
KAT	Known Answer Test
KDF	Key Derivation Function
NIST	National Institute of Standards and Technology
NSS	Network Security Services
PKCS	Public-Key Cryptographic Standard
PUB	Publication
RSA	Rivest, Shamir, Addleman
SHA	Secure Hash Algorithm
TLS	Transport Layer Security

Table 14: Acronyms

References

The FIPS 140-2 standard, and information on the CMVP, can be found at <http://csrc.nist.gov/groups/STM/cmvp/index.html>. More information describing the module can be found on the Oracle web site at www.oracle.com.

This Security Policy contains non-proprietary information. All other documentation submitted for FIPS 140-2 conformance testing and validation is "Oracle - Proprietary" and is releasable only under appropriate non-disclosure agreements.

- [1] FIPS 140-2 Standard, <http://csrc.nist.gov/groups/STM/cmvp/standards.html>
- [2] FIPS 140-2 Implementation Guidance, <http://csrc.nist.gov/groups/STM/cmvp/standards.html>
- [3] FIPS 140-2 Derived Test Requirements, <http://csrc.nist.gov/groups/STM/cmvp/standards.html>
- [4] FIPS 197 Advanced Encryption Standard, <http://csrc.nist.gov/publications/PubsFIPS.html>
- [5] FIPS 180-4 Secure Hash Standard, <http://csrc.nist.gov/publications/PubsFIPS.html>
- [6] FIPS 198-1 The Keyed-Hash Message Authentication Code (HMAC), <http://csrc.nist.gov/publications/PubsFIPS.html>
- [7] FIPS 186-4 Digital Signature Standard (DSS), <http://csrc.nist.gov/publications/PubsFIPS.html>
- [8] NIST SP 800-38A, Recommendation for Block Cipher Modes of Operation: Methods and Techniques, <http://csrc.nist.gov/publications/PubsFIPS.html>
- [9] NIST SP 800-38D, Recommendation for Block Cipher Modes of Operation: Galois/Counter Mode (GCM) and GMAC, <http://csrc.nist.gov/publications/PubsFIPS.html>
- [10] NIST SP 800-38F, Recommendation for Block Cipher Modes of Operation: Methods for Key Wrapping, <http://csrc.nist.gov/publications/PubsFIPS.html>
- [11] NIST SP 800-56A, Recommendation for Pair-Wise Key Establishment Schemes using Discrete Logarithm Cryptography (Revised), <http://csrc.nist.gov/publications/PubsFIPS.html>
- [12] NIST SP 800-67 Revision 1, Recommendation for the Triple Data Encryption Algorithm (TDEA) Block Cipher, <http://csrc.nist.gov/publications/PubsFIPS.html>
- [13] NIST SP 800-90A, Recommendation for Random Number Generation Using Deterministic Random Bit Generators, <http://csrc.nist.gov/publications/PubsFIPS.html>
- [14] RSA Laboratories, "PKCS #11 v2.20: Cryptographic Token Interface Standard", 2004.
- [15] P. Kocher, "Timing Attacks on Implementations of Diffie-Hellman, RSA, DSS, and Other Systems", CRYPTO '96, Lecture Notes In Computer Science, Vol. 1109, pp. 104-113, Springer-Verlag, 1996. <http://www.cryptography.com/timingattack/>
- [16] D. Boneh and D. Brumley, "Remote Timing Attacks are Practical", <http://crypto.stanford.edu/~dabo/abstracts/ssl-timing.html>
- [17] C. Percival, "Cache Missing for Fun and Profit", <http://www.daemonology.net/papers/htt.pdf>
- [18] N. Ferguson and B. Schneier, Practical Cryptography, Sec. 16.1.4 "Checking RSA Signatures", p. 286, Wiley Publishing, Inc., 2003.