



## **F5<sup>®</sup> vCMP Cryptographic Module**

### **FIPS 140-2 Non-Proprietary Security Policy**

**Module Version:**

**14.1.0.3 EHF**

**FIPS Security Level 2**

**Document Version 1.3**

**Document Revision: June 2022**

Prepared by:  
atsec information security corporation  
9130 Jollyville Road, Suite 260  
Austin, TX 78759  
[www.atsec.com](http://www.atsec.com)

# Table of Contents

---

- 1. INTRODUCTION ..... 5**
  - 1.1. CRYPTOGRAPHIC MODULE SPECIFICATION ..... 5
    - 1.1.1. *Module Description* ..... 5
  - 1.2. FIPS 140-2 VALIDATION LEVEL ..... 6
  - 1.3. DESCRIPTION OF MODES OF OPERATION ..... 6
  - 1.4. CRYPTOGRAPHIC MODULE BOUNDARY ..... 9
    - 1.4.1. *Hardware Block Diagram* ..... 9
    - 1.4.2. *Logical Block Diagram*..... 10
- 2. CRYPTOGRAPHIC MODULE PORTS AND INTERFACES ..... 11**
- 3. ROLES, SERVICES AND AUTHENTICATION ..... 13**
  - 3.1. ROLES ..... 13
  - 3.2. AUTHENTICATION ..... 14
  - 3.3. SERVICES ..... 14
- 4. PHYSICAL SECURITY ..... 20**
  - 4.1. TAMPER LABEL PLACEMENT ..... 20
- 5. OPERATIONAL ENVIRONMENT ..... 24**
- 6. CRYPTOGRAPHIC KEY MANAGEMENT ..... 25**
  - 6.1. KEY GENERATION ..... 25
  - 6.2. KEY ESTABLISHMENT ..... 26
  - 6.3. KEY ENTRY / OUTPUT ..... 26
  - 6.4. KEY / CSP STORAGE ..... 26
  - 6.5. KEY / CSP ZEROIZATION ..... 26
  - 6.6. RANDOM NUMBER GENERATION ..... 26
- 7. SELF-TESTS ..... 28**
  - 7.1. POWER-UP TESTS ..... 28
    - 7.1.1. *Integrity Tests* ..... 28
    - 7.1.2. *Cryptographic algorithm tests* ..... 28
  - 7.2. ON-DEMAND SELF-TESTS ..... 29
  - 7.3. CONDITIONAL TESTS ..... 29
- 8. GUIDANCE ..... 31**
  - 8.1. DELIVERY AND OPERATION ..... 31
  - 8.2. CRYPTO OFFICER GUIDANCE ..... 31
    - 8.2.1. *Installing Tamper Evident Labels* ..... 31
    - 8.2.2. *Initial Configuration* ..... 31
    - 8.2.3. *Password Strength Requirement* ..... 32
    - 8.2.4. *Additional Guidance* ..... 32
    - 8.2.5. *Configuration Confirmation* ..... 33
  - 8.3. USER GUIDANCE ..... 33
- 9. MITIGATION OF OTHER ATTACKS ..... 34**

- Figure 1 :Hardware Block Diagram ..... 10
- Figure 2: Logical Block Diagram ..... 10
- Figure 3 – BIG-IP i5000/i5820-DF ..... 12
- Figure 4 – BIG-IP i7000/i7820-DF ..... 12

Figure 5 – BIG-IP i15800..... 12

Figure 6 – VIPRION B2250 front panel..... 12

Figure 7 – VIPRION B4450 front panel..... 12

Figure 8 – VIPRION B2250 in chassis (1 of 6 tamper labels shown) ..... 21

Figure 9 – VIPRION B2250 top view (5 of 6 tamper labels shown) ..... 21

Figure 10 – BIG-IP i5000 (3 of 3 tamper labels)..... 21

Figure 11 – BIG-IP i5820-DF (4 of 4 tamper labels shown) ..... 21

Figure 12 – BIG-IP i7000 (6 of 6 tamper labels shown) ..... 22

Figure 13 – BIG-IP i7820-DF (4 of 4 tamper labels shown) ..... 22

Figure 14 – BIG-IP i15800 (Front tamper labels 1-3 labels shown)..... 22

Figure 15 – BIG-IP i15800 (Back tamper labels 4 and 5 labels shown)..... 22

Figure 16 – VIPRION B4450 in chassis..... 22

Figure 17 – VIPRION B4450 front (1 of 5 tamper labels shown) ..... 22

Figure 18 – VIPRION B4450 top-view (4 of 5 tamper labels shown) ..... 23

Table 1 – Tested Platforms..... 5

Table 2 – Security Levels ..... 6

Table 3 – FIPS Approved Algorithms ..... 7

Table 3a - FIPS non-Approved but Allowed Algorithms ..... 8

Table 4 – Non-FIPS Approved Algorithms/Modes..... 9

Table 5 – Ports and Interfaces..... 11

Table 6 – FIPS 140-2 Roles ..... 14

Table 7 – Authentication of Roles..... 14

Table 8 – Management Services ..... 17

Table 9 – Crypto Services in FIPS mode of operation ..... 17

Table 10 – Services in non-FIPS mode of operation ..... 18

Table 10a – Non-Authenticated Services ..... 19

Table 11 – Inspection of Tamper Evident Labels..... 20

Table 11a – Number of Tamper Labels per hardware appliance ..... 20

Table 12 – Life cycle of CSPs..... 25

Table 13 – Self-Tests ..... 29

Table 14 – Conditional Tests ..... 30

## Copyrights and Trademarks

F5® and BIG-IP® are registered trademarks of F5, Inc..

Intel® and Xeon® are registered trademarks of Intel® Corporation.

# 1. Introduction

This document is the non-proprietary FIPS 140-2 Security Policy of F5® vCMP Cryptographic Module with the firmware version 14.1.0.3 EHF. It contains the security rules under which the module must operate and describes how this module meets the requirements as specified in FIPS PUB 140-2 (Federal Information Processing Standards Publication 140-2) for a Security Level 2 module.

## 1.1. Cryptographic Module Specification

The following section describes the cryptographic module and how it conforms to the FIPS 140-2 specification in each of the required areas.

### 1.1.1. Module Description

The F5® vCMP Cryptographic Module (hereafter referred to as “the module”) is a firmware module which is a purpose-built hypervisor built on top of F5’s market leading Application Delivery Controller (ADC) technology, and specifically designed for F5 hardware, which allows the segmentation of purpose-built, scalable resources into independent, virtual ADCs.

BIG-IP hardware and software leverages F5’s proprietary operating system, Traffic Management Operating System (TMOS). TMOS is a highly optimized system providing control over the acceleration, security, and management through purpose-built hardware and software systems. The module has been tested on the following multichip standalone devices:

Hardware <sup>1</sup>	Processor	Host OS with hypervisor
VIPRION B2250	Intel® Xeon® E5-2658	TMOS 14.1.0.3 EHF with vCMP
VIPRION B4450	Intel® Xeon® E5-2658A	TMOS 14.1.0.3 EHF with vCMP
BIG-IP i5000	Intel® Xeon® E5-1630	TMOS 14.1.0.3 EHF with vCMP
BIG-IP i5820-DF	Intel® Xeon® E5-1630	TMOS 14.1.0.3 EHF with vCMP
BIG-IP i7000	Intel® Xeon® E5-1650	TMOS 14.1.0.3 EHF with vCMP
BIG-IP i7820-DF	Intel® Xeon® E5-1650	TMOS 14.1.0.3 EHF with vCMP
BIG-IP i15800	Intel® Xeon® E5-2680	TMOS 14.1.0.3 EHF with vCMP

Table 1 - Tested Platforms

<sup>1</sup> Note: The module cannot be ported to other operational environment as the IG G.5 only applies at level 1.

## 1.2. FIPS 140-2 Validation Level

For the purpose of the FIPS 140-2 validation, the F5® vCMP Cryptographic Module is defined as a multi-chip standalone firmware cryptographic module validated at overall security level 2. The table below shows the security level claimed for each of the eleven sections that comprise the FIPS 140-2 standard:

FIPS 140-2 Section		Security Level
1	Cryptographic Module Specification	2
2	Cryptographic Module Ports and Interfaces	2
3	Roles, Services and Authentication	2
4	Finite State Model	2
5	Physical Security	2
6	Operational Environment	N/A
7	Cryptographic Key Management	2
8	EMI/EMC	2
9	Self-Tests	2
10	Design Assurance	2
11	Mitigation of Other Attacks	N/A
Overall Level		2

*Table 2 - Security Levels*

## 1.3. Description of modes of operation

The module must be installed in the FIPS validated configuration as stated in Section 8 - Guidance. In the operation mode, the module supports two modes of operation:

- in "FIPS mode" (the FIPS Approved mode of operation) only approved or allowed security functions with sufficient security strength can be used.
- in "non-FIPS mode" (the non-Approved mode of operation) only non-approved security functions can be used.

The module enters operational mode after power-up tests succeed. Once the module is operational, the mode of operation is implicitly assumed depending on the security function invoked and the security strength of the cryptographic keys. Critical Security Parameters (CSPs) used or stored in FIPS mode are not used in non-FIPS mode, and vice versa.

In the FIPS Approved Mode, the cryptographic module will provide the CAVP certified cryptographic algorithms listed in Table 3. Here the Control, or Management, plane refers to the connection from an administrator to the BIG-IP for system management. The Data Plane refers to the traffic passed between external entities and internal servers.

Algorithm	Usage	Keys/CSPs	Certificate Number(s)	
			Control Plane <sup>2</sup>	Data Plane <sup>3</sup>
AES-ECB AES-CBC AES-GCM	Encryption and Decryption	128/192/256-bit AES key	C696	N/A
AES-CBC AES-GCM	Encryption and Decryption	128/256-bit AES key	N/A	C697, C698
SP800-90A CTR_DRBG AES-256	Random Number Generation	Entropy input string, V and Key values	C696	C697, C698
FIPS 186-4 RSA Key Pair Generation	RSA Key Generation	RSA key pair with 2048/3072-bit modulus size	C696	N/A
PKCS#1 v1.5 RSA Signature Generation and Signature Verification	RSA Signature Generation and Verification	RSA private key with 2048/3072-bit modulus and SHA-1 (Sig Ver only), SHA-256 and SHA-384	C696	C697, C698
FIPS 186-4 ECC Key Pair Generation and Verification (Appendix B.4.2)	ECDSA Key Pair Generation and Verification (PKV)	ECDSA key pair for P-256 and P-384 curves	C696	C697, C698
FIPS 186-4 ECDSA Signature Generation and Signature Verification	ECDSA Signature Generation and Verification	ECDSA private key (P-256, P- 384 curves)		C697, C698
SHA-1 SHA-256 SHA-384	Message Digest	N/A	C696	C697, C698
HMAC-SHA-1 HMAC-SHA-256 HMAC-SHA-384	Message Authentication	HMAC key (>=112-bit of strength)	C696	C697, C698
TLS Version <sup>4</sup> v1.0/1.1, v1.2 with SHA-256 and SHA-384			C696	C697, C698

Table 3 - FIPS Approved<sup>5</sup> Algorithms

<sup>2</sup> For Control Plane, the platforms VIPRION B2250, BIG-IP i5000, BIG-IP i5820-DF, BIG-IP i7000, BIG-IP i7820-DF, BIG-IP i15800 and VIPRION B4450, with E5 processor share the same CAVP certificate.

<sup>3</sup> For Data Plane, the platform VIPRION B2250 with E5 processor has its own CAVP certificate. The platforms VIPRION B4450, BIG-IP i5000, BIG-IP i5820-DF, BIG-IP i7000, BIG-IP i7820-DF, and BIG-IP i15800 with E5 processor share the same CAVP certificate.

<sup>4</sup> No parts of the TLS protocol except the KDF has been reviewed or tested by the CAVP and CMVP

<sup>5</sup> Please refer to section 6.2 for the strength caveats of the key establishment schemes. Also note that not all algorithms/modes tested through CAVS are used within the module

Algorithm	Usage	Keys/CSPs	Notes
RSA PKCS	Key Wrapping	RSA key pair of 2048 or 3072-bit size	Non-Approved but Allowed
NDRNG	DRBG seed generation	seed	Non-Approved but Allowed

Table 3a- FIPS non-Approved but Allowed Algorithms

The Table 4 lists the non-FIPS Approved algorithms along with their usage:

Algorithm	Usage	Notes
AES	Symmetric Encryption and Decryption	using OFB, CFB, CTR, XTS <sup>6</sup> and KW modes
DES RC4 Triple-DES SM2, SM4		N/A
RSA	Asymmetric Encryption and Decryption	using modulus sizes less than 2048-bits or greater than 3072-bits
RSA	Asymmetric Key Generation	FIPS 186-4 less than 2048-bit modulus size
DSA		using any key size
ECDH		using all P-curves, in Control Plane implementation.
ECDSA		using public/private key pair for curves other than P-256 and P-384
RSA	Digital Signature Generation and Verification	PKCS#1 v1.5 using key sizes other than 2048 and 3072 bits
		PKCS#1 v1.5 using SHA-1, SHA-224 and SHA-512 and 2048/3072-bit key sizes Used in the SSH protocol Used in the TLS protocol with DH/ECDH key exchange
		using X9.31 standard
		using Probabilistic Signature Scheme (PSS)
DSA		using any key size and SHA variant
ECDSA		FIPS 186-4 using curves other than P-256 and P-384

<sup>6</sup> The AES-XTS mode shall only be used for the cryptographic protection of data on storage devices. The AES-XTS shall not be used for other purposes, such as the encryption of data in transit.



		FIPS 186-4 using curves P-256 and P-384 with SHA-1, SHA-224 and SHA-512
SHA-224/ SHA-512 MD5 SM3	Message Digest	N/A
HMAC-SHA-224 HMAC-SHA-512 AES-CMAC Triple-DES-CMAC	Message Authentication	N/A
Diffie-Hellman	Key Agreement Scheme	N/A
ECDH		shared secret computation using all P-curves
TLS KDF	Key Derivation function	using SHA-1/SHA-224/SHA-512
SSH KDF		using any SHA variant
SNMP KDF		
IKEv1 and IKEv2 KDF		

Table 4 - Non-FIPS Approved Algorithms/Modes

## 1.4. Cryptographic Module Boundary

The cryptographic boundary of the module is defined by the exterior surface of the appliance (red dotted line). The block diagram below shows the module, its interfaces and the delimitation of its logical boundary.

### 1.4.1. Hardware Block Diagram

The block diagram below depicts the major component blocks and the flow of status output (SO), control input (CI), data input (DI) and data output (DO). Description of the ports and interfaces can be found in Table 5.

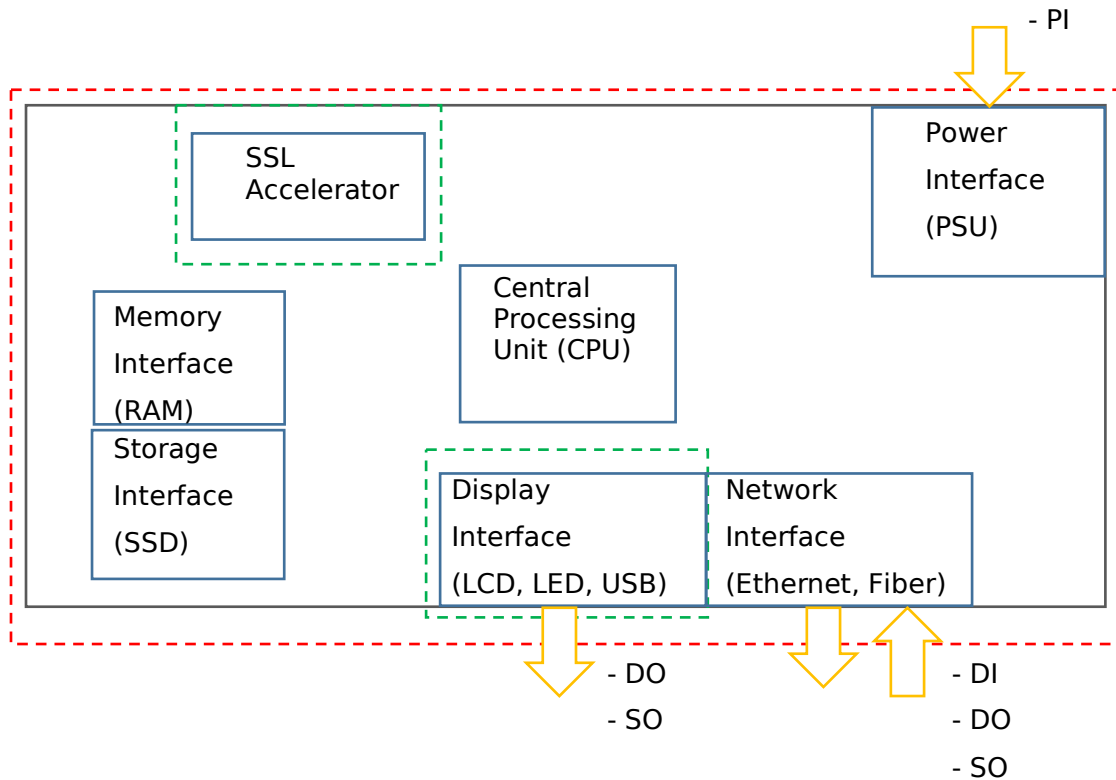


Figure 1 :Hardware Block Diagram

### 1.4.2. Logical Block Diagram

The module’s logical boundary consists of the firmware image for the module with the version 14.1.0.3 EHF that runs in the guest environment.

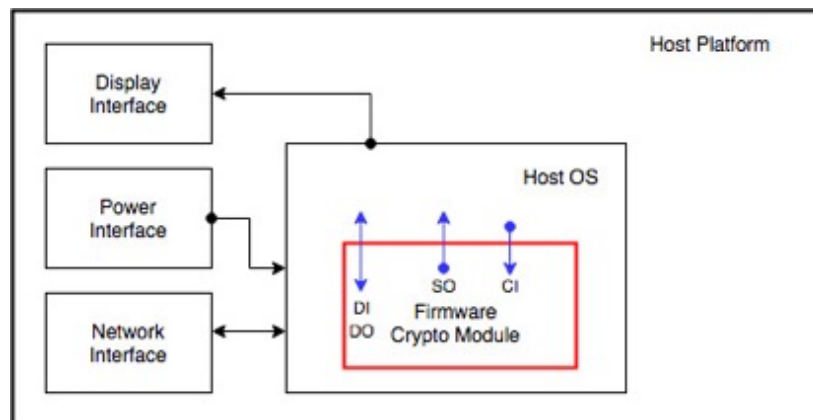


Figure 2: Logical Block Diagram

## 2. Cryptographic Module Ports and Interfaces

For the purpose of the FIPS 140-2 validation, the physical ports are interpreted to be the physical ports of the hardware platform on which it runs.

The logical interfaces are the commands through which users of the module request services. The Table 5 summarizes the physical interfaces with details of the FIPS 140-2 logical interfaces they correspond to:

Logical Interface	Physical Interface	Description
Data Input	<ul style="list-style-type: none"> <li>Network Interface</li> </ul>	Depending on module, the network interface consists of SFP, SFP+, and/or QSFP+ ports (Ethernet and/or Fiber Optic) which allow transfer speeds from 1Gbps up to 100 Gbps.
Data Output	<ul style="list-style-type: none"> <li>Network Interface</li> <li>Display Interface</li> </ul>	Depending on module, the network interface consists of SFP, SFP+, and/or QSFP+ ports (Ethernet and/or Fiber Optic) which allow transfer speeds from 1Gbps up to 100 Gbps. In addition, status logs may be output to USB found in the interface.
Control Input	<ul style="list-style-type: none"> <li>Display Interface</li> <li>Network Interface</li> </ul>	The control input found in the display interface includes the power button and reset button. The control input found in the network interface includes the commands which control module state (e.g. reset module, power-off module). Console port provides capability to remotely power-on, power-off and reset the module. <sup>8</sup>
Status Output	<ul style="list-style-type: none"> <li>Display Interface</li> <li>Network Interface</li> </ul>	Depending on module, the display interface can consist of an LCD display, LEDs, and/or output to STDOUT and the USB ports which provide module status information. In addition, command outputs that contain status information flow through the Network Interface. Console port provides capability to remotely read status information. <sup>4</sup>
Power Input	<ul style="list-style-type: none"> <li>Power Interface</li> </ul>	Two removable power supplies

Table 5 - Ports and Interfaces

Figure 3 to Figure 7 depict the various test platforms that were tested. Please use the images to familiarize yourself with the devices.



<sup>8</sup> Console access shall not be allowed in operational mode. Refer to section 8.2.4

*Figure 3 - BIG-IP i5000/i5820-DF*



*Figure 4 - BIG-IP i7000/i7820-DF*



*Figure 5 - BIG-IP i15800*



*Figure 6 - VIPRION B2250 front panel*



*Figure 7 - VIPRION B4450 front panel*

### 3. Roles, Services and Authentication

#### 3.1. Roles

The module supports the role-based authentication and the following roles are defined:

- **User role:** Performs cryptographic services (in both FIPS mode and non-FIPS mode), key zeroization, module status requests, and on-demand self-tests. The FIPS140-2 role of User is mapped to multiple BIG-IP roles which are responsible for different components of the module (e.g. auditing, certificate management, user management, etc.). The user can access the module through Web Interface described below.
- **Crypto Officer (CO) role:** Crypto officer is represented by the administrator of the BIG-IP. This entity performs module installation and initialization. This role has full access to the module and has the ability to create, delete, and manage other user roles on the module.

The module supports concurrent operators belonging to different roles: one CO and one User role, which creates two different authenticated sessions, achieving the separation between the concurrent operators.

The Web interface can be used to access the module. The Web interface consists of HTTPS over TLS interface which provides a graphical interface for system management tools. The Web Interface can be accessed from a TLS-enabled web browser.

Note: The module does not maintain authenticated sessions upon power cycling. Restarting the module requires the authentication credentials to be re-entered. When entering authentication data through the Web interface, any character entered will be obfuscated (i.e. replace the character entered with a dot on the entry box).

FIPS 140-2 Role	BIG-IP Role	Purpose of Role
Crypto Officer	Administrator	Main administrator of the of the BIG-IP module. This role has complete access to all objects in the module. Entities with this role cannot have other roles within the module.
User	Auditor	Entity who can view all configuration data on the module, including logs and archives.
	Certificate Manager	Entity who manages digital certificates and keys.
	Firewall Manager	Grants a user permission to manage all firewall rules and supporting objects. Notably, the Firewall Manager role has no permission to create, update, or delete non-network firewall configurations, including Application Security or Protocol Security policies.
	iRule Manager	Grants a user permission to create, modify, view, and delete iRules. Users with this role cannot affect the way that an iRule is deployed.
	Operator	Grants a user permission to enable or disable nodes and pool members.
	Resource Manager	Grants a user access to all objects on the module except BIG-IP user accounts. With respect to user accounts, a user with this role can view a list of all user accounts on the module but cannot view or change user account properties except for their own user account. Users with this role cannot have other user roles on the module.
	User Manager	Entity who manages User Role accounts.

Table 6 – FIPS 140-2 Roles

### 3.2. Authentication

FIPS 140-2 Role	Authentication type and data	Strength of Authentication (Single-Attempt)	Strength of Authentication (Multiple-Attempt)
Crypto Officer	Password based (Web Interface)	<p>The password must consist of minimum of 6 characters with at least one from each of the three-character classes. Character classes are defined as: digits (0-9), ASCII lowercase letters (a-z), ASCII uppercase letters (A-Z)</p> <p>Assuming a worst-case scenario that comprises 6 (six) characters that consist of a set of 4 (four) digits, 1 (one) ASCII lowercase letter and 1 (one) ASCII uppercase letter. The probability to guess every character successfully is <math>(1/10)^4 * (1/26)^1 * (1/26)^1 = 1/6,760,000</math> which is much smaller than <math>1/1,000,000</math>.</p>	<p>The maximum number of login attempts is limited to 6 after which the account is locked. This means that at worst case an attacker has the probability of guessing the password in one minute as <math>6/6,760,000</math> which is less than the requirement of <math>1/100,000</math>.</p>
User	Password based (Web Interface)	<p>The password must consist of minimum of 6 characters with at least one from each of the three-character classes. Character classes are defined as: digits (0-9), ASCII lowercase letters (a-z), ASCII uppercase letters (A-Z)</p> <p>Assuming a worst-case scenario that comprises 6 (six) characters that consist of a set of 4 (four) digits, 1 (one) ASCII lowercase letter and 1 (one) ASCII uppercase letter. The probability to guess every character successfully is <math>(1/10)^4 * (1/26)^1 * (1/26)^1 = 1/6,760,000</math> which is much smaller than <math>1/1,000,000</math>.</p>	<p>The maximum number of login attempts is limited to 6 after which the account is locked. This means that at worst case an attacker has the probability of guessing the password in one minute as <math>6/6,760,000</math> which is less than the requirement of <math>1/100,000</math>.</p>

Table 7 – Authentication of Roles

### 3.3. Services

The module provides services to users that assume one of the available roles. All services are described in detail in the user documentation.

Table 8 lists the Management Services which are only available after authentication has succeeded. Usage of any of the following services using non-approved algorithms will place the module in non-approved mode.

Service	Description	Keys/CSPs	Access Type (R <sup>9</sup> , W, Z) Read/Write/ Zeroize	Authorization	
				Crypto Officer	User
<b>User Management Services</b>					
List Users	Display list of user	None	-	✓	User Manager Resource Manager
Create User	Create additional users	password	W	✓	User Manager
View Users	View users	None	-	✓	User Manager
Delete User	Delete users from module	password	Z	✓	User Manager
Unlock User	Remove Lock from user who has exceeded login attempts	None	-	✓	User Manager
Update own password	Update own password	password	W	All Roles	
Update others password	Update password for user that is not self	password	W	✓	User Manager
Configure Password Policy	Set password policy features	None	-	✓	None
<b>Certificate Management Services</b>					
Create SSL Certificate	Generate a self-signed certificate	RSA/ECDSA private Key	R	✓	Certificate Manager
Create SSL Key	Generate SSL Certificate key file	RSA/ECDSA private Key	W	✓	Certificate Manager
Check-Cert	Examines certificate and display or logs expiration date of installed certificates	None	-	✓	Certificate Manager
List Certificates	Display certificates installed	None	-	✓	Certificate Manager
Import SSL Certificate	Import SSL certificate into module	None	-	✓	Certificate Manager
Delete SSL Certificate	Delete a certificate from the module.	None	-	✓	Certificate Manager
Export Certificate File	Export SSL certificate into module	None	-	✓	Certificate Manager

<sup>9</sup> The R access type refers to Reading of the CSP. This access type can be thought as synonymous to Execute CSP/key.

Service	Description	Keys/CSPs	Access Type (R <sup>o</sup> , W, Z) Read/Write/ Zeroize	Authorization	
				Crypto Officer	User
ssh-keyswap utility service	Use ssh-keyswap utility to create or delete ssh keys	Session encryption and authentication keys, EC Diffie-Hellman shared secret	W, Z	✓	Certificate Manager
<b>Firewall Management Services</b>					
Configure firewall settings	Configure firewall policy rules, and address-lists for use by firewall rules.	None	-	✓	Firewall Manager
Show firewall state	Display the current module-wide state of firewall rules	None	-	✓	Firewall Manager
Show statistics	Displays statistics of firewall rules on the BIG-IP system	None	-	✓	Firewall Manager
<b>Audit Management Services</b>					
View Audit Logs	Display various service logs	None	-	✓	Auditor
Export Analytics Logs	Export analytics logs	None	-	✓	Auditor
Enable/Disable audition	Enables/Disables auditing	None	-	✓	Auditor
<b>System Management Services</b>					
Configure Boot Options	Enable Quit boot, manage boot locations	None	-	✓	Resource Manager
Configure SSH access options	Enable/Disable SSH access, Configure IP address whitelist	None	-	✓	None
	Update private key	RSA/ECDSA private keys	R,W	✓	User Manager Resource Manager
Configure Firewall Users	Manage firewall rules	None	-	✓	Firewall Manager
Configure nodes and pool members	Enable/Disable nodes and pool members	None	-	✓	Operator
Configure iRules	create, modify, view, and delete iRules	None	-	✓	iRule Manager



Service	Description	Keys/CSPs	Access Type (R <sup>o</sup> , W, Z) Read/Write/ Zeroize	Authorization	
				Crypto Officer	User
Secure Erase	Full module zeroization	All CSPs in Table 12.	W, Z	✓	None

Table 8 - Management Services

Table 9 lists the crypto services available in FIPS mode of operation and the roles that can request the service, the algorithms involved, the CSPs involved and how they are accessed.

Service	Algorithms / Key Sizes	Role	Keys/CSPs	Access Type (R, W, Z) Read/ Write/ Zeroize	Interface	
TLS Services					Data Plane	Control Plane
Establish TLS session	Signature Generation and Verification: RSA or ECDSA with SHA-256/SHA-384	User CO	RSA, ECDSA signing key	R, W	Yes	Yes
	Key Exchange: RSA Key wrapping (allowed)		RSA wrapping key, TLS pre-master secret and master secret	R, W	Yes	Yes
Maintaining TLS session	Data Encryption: AES CBC, GCM Data Authentication: HMAC SHA-1/SHA-256/SHA-384	User CO	AES and HMAC Keys	R, W	Yes	Yes
Closing TLS session	N/A	User CO	session keys, secret	Z	Yes	Yes

Table 9 - Crypto Services in FIPS mode of operation

Table 10 lists all of the non-approved services available in the non-FIPS-Approved mode of operation.

Service	Role	Usage/Notes
<b>TLS Services</b>		
Establishing TLS session	User CO	Signature generation and verification using DSA or RSA/ ECDSA with SHA-1/SHA-224/SHA-512 RSA with keys less than 2048
		Key Exchange using: Diffie-Hellman RSA Key wrapping with keys less than 2048 or greater than 3072 ECDH shared secret computation with SP800-135 KDF
Maintain TLS session		Data encryption using Triple-DES, AES-CTR Data authentication using HMAC SHA-224/SHA-512
<b>SSH Services</b>		
Establish SSH session	User CO	Signature generation and verification using: DSA, Ed25519 ECDSA with SHA-1/SHA-224/ SHA-256/ SHA-384 /SHA-512 and all P-curves RSA with key size less than 2048-bit and 2048/ 3072-bits key sizes (SHA-1 and SHA-2)
		Key exchange using Diffie-Hellman, Ed25519, ECDH shared secret computation
Maintain SSH session		Key derivation SP800-135 SSH KDF
<b>Other Services</b>		
IPsec	User CO	The configuration and usage of IPsec is not approved
iControl REST access		Access to the module through REST using non-approved crypto from BouncyCastle
Configuration using SNMP		Management of the module via SNMP is not approved.

Table 10 – Services in non-FIPS mode of operation

The Table 10a lists the module’s services that can be performed without authentication.

Service	Usage/Notes
Show Status	Displays system status information over LCD screen (e.g. network info, system operational status, etc.)
Self-Tests	When the BIG-IP system has been started, the Self-Tests are performed. This includes the integrity check and Known Answer Tests. On-Demand self-tests are initiated by manually power cycling the system.

*Table 10a - Non-Authenticated Services*

## 4. Physical Security

All of the platforms listed in Table 1 – Tested Platforms are enclosed in a hard-metallic case that provides obscurity from visual inspection of internal components. Each platform is fitted with tamper evident labels to provide physical evidence of attempts to gain access inside the case. The tamper evident labels shall be installed for the module to operate in approved mode of operation. The Crypto Officer is responsible for inspecting the quality of the tamper labels on a regular basis to confirm the modules have not been tampered with. The Crypto Officer must follow instructions provided for proper placement and storage instructions. In the event that additional tamper evident labels are needed, a kit is available for purchase (P/N: F5-ADD-BIG-FIPS140). The kit comes with twenty-five (25) tamper labels. It is the responsibility of the Crypto Officer for the storage of any unused labels.

Physical Security Mechanism	Recommended Inspection Frequency	Guidance
Tamper Evident Labels	Once per month	Check the quality of the tamper evident labels for any sign of removal, replacement, tearing, etc. If any label is found to be damaged or missing, contact the system administrator immediately.

Table 11 – Inspection of Tamper Evident Labels

### 4.1. Tamper Label Placement

The details below show the location of all tamper evident labels for each hardware appliance. Label application instructions are provided in the *F5 Platforms: FIPS Kit Installation* guide delivered with each hardware appliance.

Hardware Appliance	# of Tamper Labels	Hardware Appliance	# of Tamper Labels
VIPRION B2250	6	BIG-IP i15800	5
VIPRION B4450	5	BIG-IP i7000	6
BIG-IP i5000	3	BIG-IP i7820-DF	4
BIG-IP i5820-DF	4		

Table 11a – Number of Tamper Labels per hardware appliance



Figure 8 - VIPRION B2250 in chassis (1 of 6 tamper labels shown)

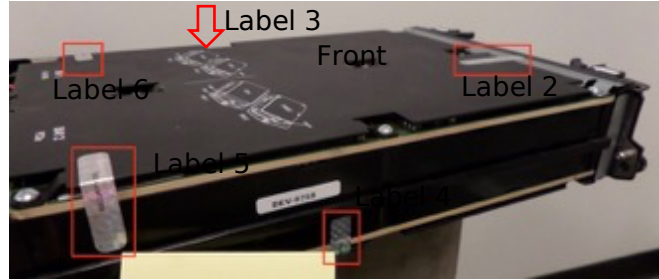


Figure 9 - VIPRION B2250 top view (5 of 6 tamper labels shown)



Figure 10 - BIG-IP i5000 (3 of 3 tamper labels)



Figure 11 - BIG-IP i5820-DF (4 of 4 tamper labels shown)



Figure 12 - BIG-IP i7000 (6 of 6 tamper labels shown)



Figure 13 - BIG-IP i7820-DF (4 of 4 tamper labels shown)

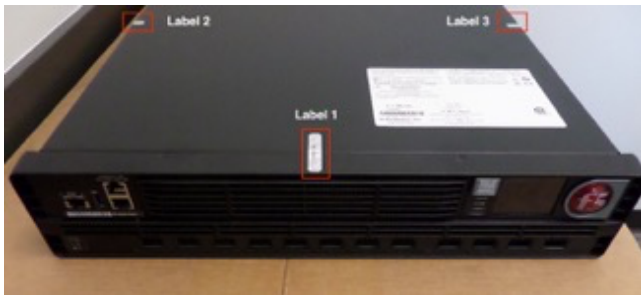


Figure 14 - BIG-IP i15800 (Front tamper labels 1-3 labels shown)



Figure 15 - BIG-IP i15800 (Back tamper labels 4 and 5 labels shown)



Figure 16 - VIPRION B4450 in chassis



Figure 17 - VIPRION B4450 front (1 of 5 tamper labels shown)

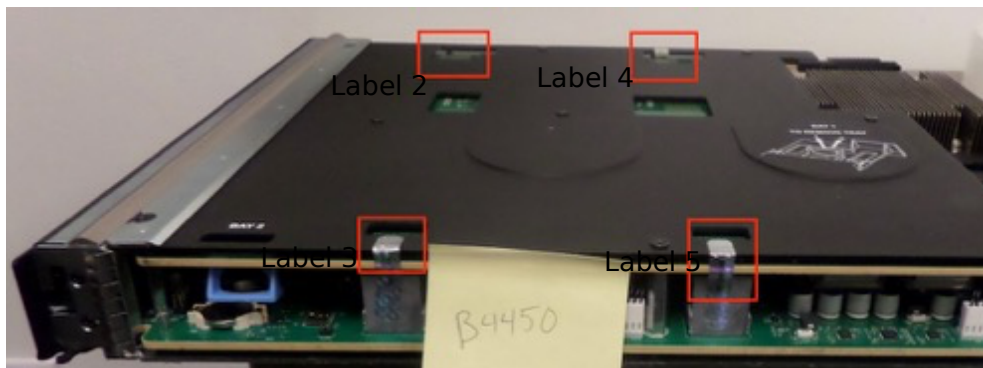


Figure 18 - VIPRION B4450 top-view (4 of 5 tamper labels shown)

## **5. Operational Environment**

The module operates in a non-modifiable operational environment per FIPS 140-2 level 2 specifications and as such the operational environment requirements do not apply.



## 6. Cryptographic Key Management

The following table summarizes the CSPs that are used by the cryptographic services implemented in the module:

Name	Generation	Storage	Zeroization
DRBG entropy input string	Obtained from NDRNG.	RAM	Zeroized by module reboot
DRBG seed, V and Key values	Derived from entropy string as defined by [SP800-90A]	RAM	
TLS RSA signing private key	Generated using FIPS 186-4 Key generation method and the random value used in the key generation is generated using SP800-90A DRBG.	Disk	Zeroized when key file is deleted or by secure erase option at boot.
TLS RSA signing public key			
TLS ECDSA signing private key			
TLS ECDSA signing public key			
TLS RSA wrapping private key		RAM	Zeroized by closing TLS session or by or rebooting the module.
TLS RSA wrapping public key			
TLS Pre-Master Secret and Master Secret	Established during the TLS handshake	RAM	Zeroized by closing TLS session or by or rebooting the module.
Derived TLS session key (AES, HMAC)	Derived from the master secret via SP800-135 TLS KDF		
User Password	Entered by the user	Disk	Zeroized by secure erase option at boot or overwritten when password is changed

Table 12 - Life cycle of CSPs

The following sections describe how CSPs, in particular cryptographic keys, are managed during its life cycle.

### 6.1. Key Generation

For generation of RSA and ECDSA keys, the module implements asymmetric key generation services compliant with [FIPS186-4] and using DRBG compliant with [SP800-90A]. A seed (i.e. the random value) used in asymmetric key generation is obtained from [SP800-90A] DRBG.

The module does not implement symmetric key generation as an explicit service. The symmetric HMAC and AES keys used by the module are derived from the TLS pre-master secret by applying SP 800-135 as part of the TLS protocol (section 6.2 of the SP 800-133r2).

In accordance with FIPS 140-2 IG D.12, the cryptographic module performs Cryptographic Key Generation (CKG) for asymmetric keys as per SP800-133 (vendor affirmed).

## 6.2. Key Establishment

The module provides RSA Key wrapping scheme which is used as part of TLS protocol with the key derivation implemented by SP 800-135 TLS KDF. The module also includes a SP 800-38F key wrapping in the context of TLS protocol where a key may be within a packet or message that is encrypted and authenticated using approved authenticated encryption mode i.e. AES GCM or a combination method which includes approved symmetric encryption algorithm i.e. AES together with approved authentication method i.e. HMAC-SHA. These schemes provide the following security strength in FIPS mode:

- RSA key wrapping provides 112 or 128-bits of encryption strength
- SP 800-38F key wrapping using an approved authenticated encryption mode i.e. AES GCM provides 128 or 256 bits of encryption strength (AES Cert. #C696)
- SP 800-38F key wrapping using an approved authenticated encryption mode i.e. AES GCM provides 128 or 256 bits of encryption strength (AES Certs. #C697 and #C698)
- SP 800-38F key wrapping using a combination of an approved AES encryption and HMAC authentication method provides between 128 and 256 bits of encryption strength (AES Cert. #C696 and HMAC Cert. #C696)
- SP 800-38F key wrapping using a combination of approved AES encryption and HMAC authentication method provides 128 or 256 bits of encryption strength (AES Certs. #C697 and #C698 and HMAC Certs. #C697 and #C698)

## 6.3. Key Entry / Output

The module does not support manual key entry or intermediate key generation key output. During the TLS handshake, the keys that are entered or output to the module over the network, includes RSA/ECDSA public keys and the TLS pre-master secret. For TLS with RSA key exchange, when module acts as a TLS client, the TLS pre-master secret is generated using DRBG and is output from the module wrapped with server's public RSA key. When module acts as a TLS server, the TLS pre-master secret encrypted with module's RSA key is input into the module.

Once the TLS session is established, the TLS traffic is protected by AES encryption.

## 6.4. Key / CSP Storage

As shown in the above table most of the keys are stored in the volatile memory in plaintext form and are destroyed when released by the appropriate zeroization calls or the module is rebooted. The keys stored in plaintext in non-volatile memory are static and will remain on the module across power cycle and are only accessible to the authenticated administrator.

## 6.5. Key / CSP Zeroization

The zeroization methods listed in the above Table, overwrites the memory occupied by keys with "zeros". Additionally, the user can enforce it by performing procedural zeroization. For keys present in volatile memory, calling reboot command will clear the RAM memory. For keys present in non-volatile memory, using secure erase option (can only be triggered by the administrator during reboot of the module) will perform single pass zero write erasing the disk contents.

## 6.6. Random Number Generation

The module employs a Deterministic Random Bit Generator (DRBG) based on [SP800-90A] for the generation of random value used in asymmetric keys, and for providing an RNG service to calling applications. The Approved DRBG provided by the module is the CTR\_DRBG with AES-256. The

DRBG is initialized during module initialization. The module performs DRBG health test according to [SP800-90A] section 11.3.

The module uses a Non-Deterministic Random Number Generator (NDRNG) to seed the DRBG. A Continuous Random Number Generation Test (CRNGT) is performed on the output of the NDRNG prior to seeding the DRBG and also on the DRBG output. The NDRNG provides at least 256- bits of entropy to the DRBG during initialization (seed) and reseeding (reseed). The NDRNG is within its physical boundary.

## 7. Self-Tests

### 7.1. Power-Up Tests

The module performs power-up tests automatically during initialization when the module is started without requiring any operator intervention; power-up tests ensure that the module’s firmware is not corrupted and that the cryptographic algorithms work as expected.

During the execution of power-up tests, services are not available and input and output are inhibited. Upon successful completion of the power-up tests, the module is initialized and enters operational mode where it is accessible for use. If the module fails any of the power-up tests, it enters into the ‘Halt Error’ state and halts the module. In this state, the module will prohibit any data outputs and cryptographic operations and will not be available for use. The module will be marked unusable and the administrator will need to reinstall the module to continue.

#### 7.1.1. Integrity Tests

The integrity of the module is verified by comparing the MD5 checksum value of the installed binaries calculated at run time with the stored value computed at build time. If the values do not match the module enters halt error state and the module will not be accessible. In order to recover from this state, the module needs to be reinstalled.

#### 7.1.2. Cryptographic algorithm tests

The module performs self-tests on all FIPS-Approved cryptographic algorithms supported in the approved mode of operation and is done on the Data plane as well as Control Plane side, using the Known Answer Test (KAT) and Pair-wise Consistency Test (PCT) as listed in the following table:

Algorithm <sup>10</sup>	Test
Control Plane Self-tests	
CTR_DRBG	KAT using AES 256-bit with and without derivation function
AES	KAT of AES encryption with GCM mode and 128-bit key KAT of AES decryption with ECB mode and 128-bit key
RSA	KAT of RSA PKCS#1 v1.5 signature generation with 2048 bit key and SHA-256 KAT of RSA PKCS#1 v1.5 signature verification with 2048 bit key and SHA-256
ECDSA	PCT of ECDSA signature generation and verification with P-256 curve
HMAC-SHA-1, HMAC-SHA-256, HMAC-SHA-384	KAT of HMAC-SHA-1 KAT of HMAC-SHA-256 KAT of HMAC-SHA-384

<sup>10</sup> The module also includes KATs for ECDH shared secret computation but it is a non-approved algorithm hence it is not listed in this table.

Algorithm <sup>10</sup>	Test
SHA-1, SHA-256, SHA-384	Covered by respective HMAC KATs
Data Plane Self-Tests	
AES	KAT of AES encryption with GCM mode and 128-bit key KAT of AES decryption with CBC mode and 128-bit key
RSA	KAT of RSA PKCS#1 v1.5 signature generation with 2048 bit key and SHA-256 KAT of RSA PKCS#1 v1.5 signature verification with 2048 bit key and SHA-256
ECDSA	PCT of ECDSA signature generation and verification with P-256 curve
CTR_DRBG	Covered by Control Plane Self-Tests. (Data Plane makes use of the same DRBG implementation provided by Control Plane)
HMAC-SHA-1, HMAC-SHA-256, HMAC-SHA-384	KAT of HMAC-SHA-1 KAT of HMAC-SHA-256 KAT of HMAC-SHA-384
SHA-1, SHA-256, SHA-384	Covered by respective HMAC KATs

Table 13 – Self-Tests

## 7.2. On-Demand self-tests

The module does not explicitly provide the Self-Test service to perform on demand self-tests. On-demand self-tests can be invoked by powering-off and powering-on the module in order to initiate the same cryptographic algorithm tests executed during power-up. During the execution of the on-demand self-tests, crypto services are not available and no data output or input is possible.

## 7.3. Conditional Tests

The module performs conditional tests on the cryptographic algorithms shown in the following table. If the module fails any of these tests, the module reboots and enters into the Halt Error state prohibiting any data output or cryptographic operations and the module will be inoperable. The module must be re-installed in order to clear the error condition.

<b>Algorithm</b>	<b>Test</b>
DRBG	Continuous random number generator test (CRNGT) on the output of the DRBG
NDRNG	Continuous random number generator test (CRNGT) on the output of the NDRNG prior to seeding the CTR_DRBG
RSA key generation	Pair-wise Consistency Test (PCT) using SHA-256
ECDSA key generation	Pair-wise Consistency Test (PCT) using SHA-256

*Table 14 - Conditional Tests*

## 8. Guidance

### 8.1. Delivery and Operation

The module is distributed as a part of a BIG-IP product which includes the hardware and an installed copy of 14.1.0.3 EHF. For FIPS compliance, the following steps defined in section 8.2 must be completed by the Crypto Officer prior to access to the module is allowed. The hardware devices are shipped directly from the hardware manufacturer/authorized subcontractor via trusted carrier and tracked by that carrier. The hardware is shipped in a sealed box that includes a packing slip with a list of components inside, and with labels outside printed with the product nomenclature, sales order number, and product serial number. Upon receipt of the hardware, the customer is required to perform the following verifications:

- Ensure that the shipping label exactly identifies the correct customer name and address as well as the hardware model.
- Inspect the packaging for tampering or other issues.
- Ensure that the external labels match the expected delivery and the shipped product.
- Ensure that the components in the box match those on the documentation shipped with the product.
- The hardware model can be verified by the model number given on the shipping label as well as on the hardware device itself.

### 8.2. Crypto Officer Guidance

#### 8.2.1. Installing Tamper Evident Labels

Before the module is installed in the production environment, tamper-evident labels must be installed in the location identified for each module in section 4.1. The following steps shall be taken when installing or replacing the tamper evident labels on the module. The instructions are also included in *F5 Platforms: FIPS Kit Installation* provided with each module.

- Use the provided alcohol wipes to clean the chassis cover and components of dirt, grease, or oil before you apply the tamper evidence seals.
- After applying the seal, run your finger over the seal multiple times using extra high pressure.
- The seals completely cure within 24 hours.

It is the responsibility of the Crypto Officer to inspect the tamper evident labels for damage or any missing labels as specified in Section 4.

#### 8.2.2. Initial Configuration

Follow the instructions in the "BIG-IP System: Initial Configuration" guide to configure the device. The following summarize the steps:

- Run the Setup wizard to license and provision the BIG-IP system.
- Activate the Base Registration Key provided with the purchase of the BIG-IP platform.
- Add the FIPS license. Installing the FIPS license for the host system is required for module activation. Guidance on Licensing the BIG-IP system can be found in <https://support.f5.com/csp/article/K7752>. A summary is provided below:
  - Before you can activate the license for the BIG-IP system, you must obtain a base registration key. The base registration key is pre-installed on new BIG-IP systems. When you power up the product and connect to the Configuration utility, the Licensing page opens and displays the registration key. After a license activation method is selected (activation method specifies how you want the system to communicate with the F5 License Server), the F5 product generates a dossier which is an encrypted list of key characteristics used to identify the platform. If the

automated activation method is selected, the BIG-IP system automatically connects to the F5 License Server and activates the license.

- If the manual method is selected, The Crypto Officer shall go to the F5 Product Licensing page at [secure.f5.com](https://secure.f5.com), paste the dossier in the “Enter Your Dossier” box which produces a license. The Crypto Officer will then copy and paste it into the “License” box in the Configuration Utility. The BIG-IP system then reloads the configuration and is ready for additional system configuration. This concludes the product licensing

### 8.2.2.1. Configure vCMP Guest

- Each vCMP guest inherits the license of the vCMP host configured above. The license allows you to deploy the maximum number of guests that the platform allows. The crypto officer must follow the “vCMP for Appliance Models: Administration” to create a vCMP guest. A summary is provided below:
- First, provision the vCMP feature as a whole. The BIG-IP system will dedicate most of the disk space to running the vCMP and creates the host portion of the vCMP system.
- Second, for each guest, the Crypto Officer logs in and provisions the BIG-IP modules. This involves the following:
- Create vCMP guests, including allocating system resources to each guest
- Create and manage VLANs
- Manage interfaces
- Configure access control to the host by other host administrators (e.g. User Manager)
- Set the password requirements and follow additional guidance as documented in Section 8.2.4 below

Once configured, initialized and POST is completed, the module enters operational state. In this state the mode of operation is implicitly assumed depending on the service invoked. See section 8.3 for details.

### 8.2.3. Password Strength Requirement

The Crypto officer must create her/his own password after assuming the role for the first time. The crypto officer must then modify the BIG-IP password policy to meet or exceed the requirements defined in Table 7 - Authentication of Roles. Instructions for this can be found in the “BIG-IP System: User Account Administration” guide.

### 8.2.4. Additional Guidance

The Crypto Officer shall verify that the following specific configuration rules are followed in order to operate the module in the FIPS validated configuration:

- All command shells other than tmsh are not allowed. For example, bash and other user-serviceable shells are excluded. Additionally note that the use of tmsh is considered non-approved because it makes use of SSH protocol that is marked as non-approved service in Table 10. Only access via GUI interface that makes use of TLS channel is considered approved.
- Management of the module via the appliance's LCD display is not allowed.
- Usage of f5-rest-node and iAppLX and provisioning of iRulesLX is not allowed.
- Only the provisioning of AFM and LTM is included.
- Remote access to the Lights Out / Always On Management capabilities of the module are not allowed.
- Serial port console access from the host platform shall not be allowed after the initial power on and communications setup of the hardware.



- High availability configuration must not be enabled.

## 8.2.5. Configuration Confirmation

Once the module is installed, licensed and configured, the Crypto Officer shall confirm that the module is installed and licensed correctly.

### 8.2.5.1. Version Confirmation

The Crypto Officer should through the Big-IP Configuration Utility (Web interface) HTTPS access, navigate within the GUI to Main -> System -> Configuration -> Device -> General and then verify that the version matches: Version: 14.1.0.3, Edition: Engineering Hotfix. Any firmware loaded into the module other than version 14.1.0.3 EHF is out of the scope of this validation and will mean that the module is not operating as a FIPS validated module.

### 8.2.5.2. License Confirmation

The FIPS validated module activation requires installation of the license referred as 'FIPS license'. The Crypto Officer should through the Big-IP Configuration Utility (Web interface) HTTPS access, navigate within the GUI to Main -> System -> License and then verify that 'FIPS 140-2' is in list of Active Modules.

## 8.3. User Guidance

The module supports two modes of operation. Table 9 - Crypto Services in FIPS mode of operation list the FIPS approved services and Table 10 - Services in non-FIPS mode of operation lists the non-FIPS approved services. Using the services in Table 4 - Non-FIPS Approved Algorithms/Modes means that the module operates in non-FIPS Approved mode for the particular session of a particular service, where the non-FIPS approved algorithm or mode was selected.

In case the module's power is lost and then restored, the key used for the AES GCM encryption or decryption shall be re-distributed. The AES GCM IV generation is in compliance with the [RFC5288] and shall only be used for the TLS protocol version 1.2 to be compliant with [FIPS140-2\_IG] IG A.5; thus, the module is compliant with [SP800-52]. The implementation of the nonce\_explicit management logic inside the module ensures that when the IV exhausts the maximum number of possible values for a given session key, the module triggers a new handshake request to establish a new key.

## **9. Mitigation of Other Attacks**

The module does not implement security mechanisms to mitigate other attacks.

## Appendix A. Glossary and Abbreviations

AES	Advanced Encryption Standard
CAVP	Cryptographic Algorithm Validation Program
CBC	Cipher Block Chaining
CFB	Cipher Feedback
CSP	Critical Security Parameter
CTR	Counter Mode
CVL	Component Validation List
DES	Data Encryption Standard
DSA	Digital Signature Algorithm
DRBG	Deterministic Random Bit Generator
ECB	Electronic Code Book
ECC	Elliptic Curve Cryptography
FIPS	Federal Information Processing Standards Publication
GCM	Galois Counter Mode
HMAC	Hash Message Authentication Code
KAS	Key Agreement Scheme
KAT	Known Answer Test
MAC	Message Authentication Code
NIST	National Institute of Science and Technology
NDRNG	Non-Deterministic Random Number Generator
OFB	Output Feedback
RNG	Random Number Generator
RSA	Rivest, Shamir, Adleman
SHA	Secure Hash Algorithm
vCMP	Virtual Clustered Multiprocessing
XTS	XEX-based Tweaked-codebook mode with cipher text stealing

## Appendix B. References

- FIPS140-2      FIPS PUB 140-2 - Security Requirements For Cryptographic Modules  
May 2001  
<http://csrc.nist.gov/publications/fips/fips140-2/fips1402.pdf>
- FIPS140-2\_IG      Implementation Guidance for FIPS PUB 140-2 and the Cryptographic Module  
Validation Program  
May 2019  
<http://csrc.nist.gov/groups/STM/cmvp/documents/fips140-2/FIPS1402IG.pdf>
- FIPS180-4      **Secure Hash Standard (SHS)**  
March 2012  
[http://csrc.nist.gov/publications/fips/fips180-4/fips\\_180-4.pdf](http://csrc.nist.gov/publications/fips/fips180-4/fips_180-4.pdf)
- FIPS186-4      **Digital Signature Standard (DSS)**  
July 2013  
<http://nvlpubs.nist.gov/nistpubs/FIPS/NIST.FIPS.186-4.pdf>
- FIPS197      **Advanced Encryption Standard**  
November 2001  
<http://csrc.nist.gov/publications/fips/fips197/fips-197.pdf>
- FIPS198-1      **The Keyed Hash Message Authentication Code (HMAC)**  
July 2008  
[http://csrc.nist.gov/publications/fips/fips198\\_1/FIPS-198\\_1\\_final.pdf](http://csrc.nist.gov/publications/fips/fips198_1/FIPS-198_1_final.pdf)
- PKCS#1      **Public Key Cryptography Standards (PKCS) #1: RSA Cryptography**  
Specifications Version 2.1  
February 2003  
<http://www.ietf.org/rfc/rfc3447.txt>
- SP800-38A      NIST Special Publication 800-38A - Recommendation for Block Cipher Modes of  
Operation Methods and Techniques  
December 2001  
<http://csrc.nist.gov/publications/nistpubs/800-38a/sp800-38a.pdf>
- SP800-38D      NIST Special Publication 800-38D - Recommendation for Block Cipher Modes of  
Operation: Galois/Counter Mode (GCM) and GMAC  
November 2007  
<http://csrc.nist.gov/publications/nistpubs/800-38D/SP-800-38D.pdf>
- SP800-56A      NIST Special Publication 800-56A - Recommendation for Pair-Wise Key  
Establishment Schemes Using Discrete Logarithm Cryptography (Revised)  
March 2007  
[http://csrc.nist.gov/publications/nistpubs/800-56A/SP800-56A\\_Revision1\\_Mar08-2007.pdf](http://csrc.nist.gov/publications/nistpubs/800-56A/SP800-56A_Revision1_Mar08-2007.pdf)
- SP800-90A      NIST Special Publication 800-90A - Recommendation for Random Number Generation  
Using Deterministic Random Bit Generators  
January 2012  
<http://csrc.nist.gov/publications/nistpubs/800-90A/SP800-90A.pdf>

SP800-131A NIST Special Publication 800-131A - Transitions: Recommendation for Transitioning the Use of Cryptographic Algorithms and Key Lengths  
November 2015  
<http://nvlpubs.nist.gov/nistpubs/SpecialPublications/NIST.SP.800-131Ar1.pdf>