



**Aviat Networks  
Eclipse  
Cryptographic Module**

**FIPS 140-2 Non-Proprietary  
Security Policy**

**Level 2 Validation**

**Document revision 040, October 2015**

Aviat Networks, Inc.  
5200 Great America Parkway  
Santa Clara, CA 95054  
408.567.7000  
[www.aviatnetworks.com](http://www.aviatnetworks.com)

Prepared for Aviat Networks by



Rycombe Consulting Limited  
<http://www.rycombe.com>  
+44 1273 476366

© 2015 Aviat Networks, Inc. This document may be reproduced only in its original entirety [without revision]. The information in this document is provided only for educational purposes and for the convenience of the customers of Aviat Networks. The information contained herein is subject to change without notice, and is provided "as is" without guarantee or warranty as to the accuracy or applicability of the information to any specific situation or circumstance.

## Contents

|       |   |    |
|-------|---|----|
| 1     | Introduction .....  | 4  |
| 1.1   | Identification .....  | 4  |
| 1.2   | Purpose.....  | 4  |
| 1.3   | References.....   | 4  |
| 1.4   | Document Organization .....   | 4  |
| 1.5   | Document Terminology.....   | 5  |
| 2     | Aviat Networks Eclipse.....   | 6  |
| 2.1   | Overview .....  | 6  |
| 2.2   | Module Specification.....   | 6  |
| 2.2.1 | Hardware and Firmware Components .....                                  | 6  |
| 2.2.2 | Cryptographic Boundary .....  | 10 |
| 2.2.3 | Scope of Validation .....   | 11 |
| 2.2.4 | Cryptographic Algorithms .....  | 11 |
| 2.2.5 | Components Excluded From the Security Requirements of the Standard..... | 13 |
| 2.3   | Physical Ports and Logical Interfaces .....                             | 14 |
| 2.4   | Roles, Services and Authentication.....                                 | 15 |
| 2.4.1 | Roles.....  | 15 |
| 2.4.2 | Services .....  | 15 |
| 2.4.3 | Authentication .....  | 18 |
| 2.5   | Physical Security.....  | 19 |
| 2.6   | Operational Environment.....  | 25 |
| 2.7   | Cryptographic Key Management .....                                      | 26 |
| 2.7.1 | Random Number Generators .....  | 26 |
| 2.7.2 | Key Generation .....  | 26 |
| 2.7.3 | Key Table.....  | 26 |
| 2.7.4 | CSP Destruction.....  | 30 |
| 2.7.5 | Access to Key Material.....   | 31 |
| 2.8   | Self-Tests .....  | 32 |
| 2.8.1 | Power-up Self-tests.....  | 33 |
| 2.8.2 | Conditional Self-tests .....  | 33 |
| 2.9   | Design Assurance .....  | 34 |
| 2.10  | Mitigation of Other Attacks.....  | 34 |
| 3     | FIPS Mode of Operation.....   | 35 |

## Figures

|  |    |
|--|----|
| Figure 1 Example INUe.....   | 7  |
| Figure 2 Module Hardware Variant Locations for INUe .....                                    | 7  |
| Figure 3 Required Baseline Components Cards.....   | 8  |
| Figure 4 Hardware Components.....  | 9  |
| Figure 5 Block Diagram of the Cryptographic Boundary .....                                   | 10 |
| Figure 6 Security Level Specification Per Individual Areas of FIPS 140-2 .....               | 11 |
| Figure 7 Approved Algorithms .....   | 12 |
| Figure 8 Module Interfaces.....  | 14 |
| Figure 9 LED Status Indicators .....   | 14 |
| Figure 10 Roles.....   | 15 |
| Figure 11 User Services .....  | 15 |
| Figure 12 Crypto Officer Services.....   | 17 |
| Figure 13 Other Services.....  | 17 |
| Figure 14 Location of Fan Air Filter in INUe .....   | 18 |
| Figure 15 INUe Enclosure.....  | 19 |
| Figure 16 Louvers .....  | 20 |
| Figure 17 Left Hand Louver.....  | 21 |
| Figure 18 Fitting the Left Hand Louver - 1 .....   | 21 |
| Figure 19 Fitting the Left Hand Louver – 2 and Position of “Top” Tamper Evident Labels ..... | 22 |
| Figure 20 Right Hand Louver.....   | 23 |
| Figure 21 Fitting the Right Hand Louver - 1 .....  | 23 |
| Figure 22 Fitting the Right Hand Louver – 2 .....  | 24 |
| Figure 23 Location of Security Labels Over Louver Panel.....                                 | 24 |
| Figure 24 Tamper Evident Label Positions.....  | 25 |
| Figure 25 Module Cryptographic Keys and CSPs .....   | 26 |
| Figure 26 Module Public Keys.....  | 27 |
| Figure 27 Key Table Part 1 .....   | 28 |
| Figure 28 Key Table Part 2 .....   | 29 |
| Figure 29 Public Key Table Part 1.....   | 30 |
| Figure 30 Public Key Table Part 2.....   | 30 |
| Figure 31 Access to Keys by Services .....   | 32 |
| Figure 32 Power-up Self-tests.....   | 33 |
| Figure 33 Conditional self-tests .....   | 34 |

# 1 Introduction

This section identifies the cryptographic module; describes the purpose of this document; provides external references for more information; and explains how the document is organized.

## 1.1 Identification

|                                |  |
|--------------------------------|--|
| <b>Module Name</b>             | Aviat Networks Eclipse Cryptographic Module  |
| <b>Module Hardware Version</b> | INUe 2RU Chassis (P/N EXE-002), Fan Card (P/N EXF-101), Node Controller Card (P/N EXN-004), FIPS Installation Kit (either customer fitted: P/N 179-530153-001 or factory fitted: P/N 179-530153-002), Replacement Labels (P/N 007-600331-001), and at least one of: [RAC 6X (P/N EXR-600-001), RAC 6XE (P/N EXR-600-002), RAC 60 (P/N EXR-660-001), or RAC 60E (P/N EXR-660-002)]. All remaining slots filled by one of the components listed in Figure 4. |
| <b>Firmware Versions</b>       | 07.07.10, 08.00.55, 08.00.70, 08.00.72, 08.00.80 and 08.00.81.   |

## 1.2 Purpose

This is the non-proprietary FIPS 140-2 Security Policy for the Aviat Networks Eclipse Cryptographic Module, also referred to as “the module” within this document. This Security Policy details the secure operation of Aviat Networks Eclipse Cryptographic Module as required in Federal Information Processing Standards Publication 140-2 (FIPS 140-2) as published by the National Institute of Standards and Technology (NIST) of the United States Department of Commerce and the Communications Security Establishment (CSE).

## 1.3 References

For more information on Aviat Networks Eclipse please visit:

<http://www.aviatnetworks.com/products/dual-hybrid-packet-microwave/>.

For more information on NIST and the Cryptographic Module Validation Program (CMVP), please visit <http://csrc.nist.gov/groups/STM/cmvp/index.html>.

## 1.4 Document Organization

This Security Policy document is one part of the FIPS 140-2 Submission Package. This document outlines the functionality provided by the module and gives high-level details on the means by which the module satisfies FIPS 140-2 requirements. With the exception of this Non-Proprietary Security Policy, the FIPS 140-2 submission documentation may be Aviat Networks proprietary or otherwise controlled and releasable only under appropriate non-disclosure agreements. For access to these documents, please contact Aviat Networks.

The various sections of this document map directly onto the sections of the FIPS 140-2 standard and describe how the module satisfies the requirements of that standard.

## 1.5 Document Terminology

| TERM                 | DESCRIPTION  |
|----------------------|--|
| <b>ACM</b>           | Adaptive Coding and Modulation   |
| <b>AES</b>           | Advanced Encryption Standard   |
| <b>API</b>           | Application Programming Interface  |
| <b>ASIC</b>          | Application Specific Integrated Circuit  |
| <b>CAVP</b>          | Cryptographic Algorithm Validation Program   |
| <b>CMVP</b>          | Cryptographic Module Validation Program  |
| <b>CSP</b>           | Critical Security Parameters   |
| <b>DAC</b>           | Digital Access Card  |
| <b>DRBG</b>          | Deterministic Random Bit Generator   |
| <b>DSA</b>           | Digital Signature Algorithm  |
| <b>FIPS</b>          | Federal Information Processing Standard  |
| <b>GUI</b>           | Graphical User Interface   |
| <b>INU</b>           | Intelligent Node Unit  |
| <b>IRU</b>           | Indoor Radio Unit  |
| <b>NCC</b>           | Node Control Card  |
| <b>NMS</b>           | Network Management System  |
| <b>NPC</b>           | Node Protection Card   |
| <b>ODU</b>           | Outdoor Unit   |
| <b>OS</b>            | Operating System   |
| <b>RAC</b>           | Radio Access Card  |
| <b>RSA</b>           | An algorithm for public-key cryptography. Named after Rivest, Shamir and Adleman who first publicly described it.  |
| <b>SHA</b>           | Secure Hash Algorithm  |
| <b>SNMP</b>          | Simple Network Management Protocol   |
| <b>SP</b>            | Security Policy  |
| <b>Storage Media</b> | Any media for which Cryptographic Module protection in the form of data encryption is required. Storage Media include internal and external hard drives, memory sticks and floppy disks. |
| <b>TCP/IP</b>        | Transmission Control Protocol/Internet Protocol  |
| <b>TDM</b>           | Time-Division Multiplexing   |
| <b>TLS</b>           | Transport Layer Security   |
| <b>XPIC</b>          | Cross Polarization Interference Cancellation   |

## 2 Aviat Networks Eclipse

This section provides the details of how the module meets the FIPS 140-2 requirements.

### 2.1 Overview

Aviat Networks' Eclipse is an all-in-one next generation dual hybrid and packet microwave radio. Eclipse provides superior networking features to address cost-optimized mobile backhaul, public, and private networking applications, along with high performance RF and Carrier Ethernet capabilities.

Aviat Eclipse delivers a "complete" set of microwave nodal networking capabilities. Eclipse delivers multi-directional integrated microwave switching within a single system, supporting up to 6 RF or up to 45 Ethernet radios in a single rack unit.

Eclipse also supports both native TDM and Ethernet services and provides fully integrated Ethernet switching and IP networking, eliminating the need for external TDM grooming or Ethernet aggregation devices.

Additionally, Eclipse can deliver greater than 2Gbps wireless transport with intelligent and fully integrated bandwidth optimization features like XPIC, ACM, and data compression.

The cryptographic module is housed within the Eclipse Intelligent Node Unit (INUe) chassis.

The Eclipse INUe supports hardware redundancy to maintain data traffic by protecting a link with a backup card that takes over in the event of hardware failure. It is possible to have up to 6 non-protected links or:

- 1 protected/diversity and 4 non-protected links
- 2 protected/diversity and 2 non-protected links
- 3 protected/diversity links

The module provides data security by encrypting the payload traffic on the microwave link between up to three radios. It also provides the Strong Encryption Suite for secure module management and uses AES encryption to secure SNMP v3 management traffic.

### 2.2 Module Specification

#### 2.2.1 Hardware and Firmware Components

The module runs on proprietary hardware. The hardware consists of a number of plug-in cards housed in a proprietary chassis in 2RU format.

The module consists of an Eclipse Node Control Card (NCC), one or more Radio access card (RAC) and a number of other plug-in cards in combination. Only the NCC and RAC cards are involved with cryptography. The remaining cards provide physical security via tamper evidence but do not provide any other security relevant functionality.



Figure 1 Example INUe

|          |        |        |         |
|----------|--------|--------|---------|
| Slot 1   | Slot 2 | Slot 3 | F       |
| Slot 4   | Slot 5 | Slot 6 | A       |
| Slot 7   | Slot 8 | Slot 9 | N       |
| NCC only |        |        | Slot 10 |
|          |        |        | S       |

Figure 2 Module Hardware Variant Locations for INUe

- Any of the Slots 1 through 10 may be covered with a blank panel. They shall not be left unpopulated and shall have tamper labels applied per Section 2.5 below.
- Slots 1, 2, 3, 4, 5, 6 are universal. Any RAC, DAC, NCM or AUX plug-in card.
- Slots 7, 8, 9 are restricted: any DAC, NCM or AUX, except DAV 155oM/eM where NMS is required.
- Slot 10 is for NPC option only
- NCC and FAN slots are dedicated – the INUe is supplied as standard with a single 2RU FAN, although it accepts two 1RU FANs.
- RAC/RAC or RAC/DAC 155oM/eM protected pairings must be installed in paired slots (Slot 1 and Slot 4, Slot 2 and Slot 5, or Slot 3 and Slot 6).
- For protected DACs or NCMs, the protection partners can be installed in Slots 1 through 9, except for the case of DAC 155oM/eM where NMS access is needed, which is restricted to Slots 1 through 6.

NCC: Node control card

FAN: Fan card (cooling)

RAC: Radio access card (supports the ODU/IRU)

DAC: Digital access card (user interfaces)

AUX: Auxiliary card (auxiliary data and alarm I/O)

NPC: Node protection card (NCC protection)

PCC: Power Converter Card

NCM: Node Convergence Module

Interface traffic options include:

- Ethernet, E1/DS1, E3/DS3, STM1/OC3
- Auxiliary data and alarm I/O

The minimum module configuration requires baseline components, an NCC card, and at least one suitable security relevant RAC card to be installed in order to support the Payload Encryption and Payload Decryption services (see Figure 3).

| ITEM                                      | PART NUMBER AND REVISION  | FIRMWARE/FPGA VERSION INFORMATION   | QUANTITY IN MODULE | CRYPTOGRAPHIC FUNCTIONALITY |
|---|---|---|--------------------|-----------------------------|
| <b>BASELINE CONFIGURATION</b>             |   |   |                    |                             |
| <b>INUe 2RU Chassis</b>                   | EXE-002   | N/A   | 1                  | Yes                         |
| <b>Node Controller Card</b>               | EXN-004   | Firmware: 07.07.10, 08.00.55, 08.00.70, 08.00.72, 08.00.80 and 08.00.81<br>FPGA_NCCV2_E1_DS1_004.bit<br>FPGA_NCCV2_STM1_006.bit | 1                  | Yes                         |
| <b>Fan Card</b>                           | EXF-101   | N/A   | 1                  | No                          |
| <b>FIPS Installation Kit</b>              | Either:<br>179-530153-001<br>(customer fitted)<br>or:<br>179-530153-002<br>(factory fitted) | N/A   | 1                  | No                          |
| <b>Replacement Labels</b>                 | 007-600331-001  | N/A   | 1                  | No                          |
| <b>And at least one of the following:</b> |   |   |                    |                             |
| <b>RAC 6X</b>                             | EXR-600-001   | FPGA_RAC6X_PDH_ACM-14.19.52.bit<br>FPGA_RAC6X_SDH-2.3.1.bit   | 0-6                | Yes                         |
| <b>RAC 6XE</b>                            | EXR-600-002   | FPGA_RAC6X_PDH_ACM-14.19.52.bit<br>FPGA_RAC6X_SDH-2.3.1.bit   | 0-6                | Yes                         |
| <b>RAC 60</b>                             | EXR-660-001   | FPGA_RAC6X_PDH_ACM-14.19.52.bit<br>FPGA_RAC6X_SDH-2.3.1.bit   | 0-6                | Yes                         |
| <b>RAC 60E</b>                            | EXR-660-002   | FPGA_RAC6X_PDH_ACM-14.19.52.bit<br>FPGA_RAC6X_SDH-2.3.1.bit   | 0-6                | Yes                         |

**Figure 3 Required Baseline Components Cards**

If a suitable card is not installed, then the Payload Encryption and Payload Decryption services are not available.



All other cards that can be installed in the 2RU chassis are interchangeable (see Figure 4). No slot shall be left unpopulated.

| ITEM                       | PART NUMBER AND REVISION | FIRMWARE/FPGA VERSION INFORMATION   | QUANTITY IN MODULE | CRYPTOGRAPHIC FUNCTIONALITY |
|----------------------------|--------------------------|---|--------------------|-----------------------------|
| <b>Aux</b>                 | EXA-001                  | FPGA_AUX_132.bit  | 0-5                | No                          |
| <b>DAC 4x</b>              | EXD-040-001              | FPGA_DAC_4E1_DS1-15.1.4.bit<br>FPGA_DAC_4E1_WAYSIDE-15.1.4.bit  | 0-5                | No                          |
| <b>DAC 155o</b>            | EXD-152-001              | FPGA_DAC_155_MUXV2-2.1.3.bit  | 0-5                | No                          |
| <b>DAC 155oM (long)</b>    | EXD-153-001              | FPGA_DAC_155_MUX_001.bit  | 0-5                | No                          |
| <b>DAC 155oM (short)</b>   | EXD-156-001              | FPGA_DAC_155_MUXV2-2.1.3.bit  | 0-5                | No                          |
| <b>DAC 16x</b>             | EXD-160-001              | FPGA_DAC_16E1_DS1-15.1.4.bit  | 0-5                | No                          |
| <b>DAC ES</b>              | EXD-171-001              | FPGA_DAC_ES_018.bit   | 0-5                | No                          |
| <b>DAC 16xV2</b>           | EXD-161-001              | FPGA_DAC16V2_E1_DS1-3.1.4.bit   | 0-5                | No                          |
| <b>DAC GE3</b>             | EXD-181-002              | FPGA_DAC_E3_DS3_NOMUX_002.bit   | 0-5                | No                          |
| <b>DAC GE3</b>             | EXD-181-001              | FPGA_DAC_E3_MUX_132.bit   | 0-5                | No                          |
| <b>DAC GE v2</b>           | EXD-180-002              | N/A   | 0-5                | No                          |
| <b>DAC GE v2 no SFP</b>    | EXD-180-102              | N/A   | 0-5                | No                          |
| <b>DAC 2x155o</b>          | EXD-252-001              | FPGA_DAC_2STM1_020.bit  | 0-5                | No                          |
| <b>DAC 3xE3M</b>           | EXD-331-001              | N/A   | 0-5                | No                          |
| <b>NCM</b>                 | EXD-400-002              | FPGA_NCM-1.1.112.bit<br>FPGA_NCM_CES-1.1.417.bit<br>FPGA_NCM_CES1-1.1.443.bit<br>FPGA_NCM_HSF-1.0.133.bit<br>FPGA_NCM_HSF_FIX-1.1.152.bit | 0-5                | No                          |
| <b>RAC 30v3</b>            | EXR-999-003              | FPGA_RAC30_E3_DS3_002.bit   | 0-6                | No                          |
| <b>RAC LL</b>              | EXR-910-001              | FPGA_RACLL_IFC-3.1.8.bit  | 0-6                | No                          |
| <b>DAC LL</b>              | EXD-180-005              | N/A   | 0-5                | No                          |
| <b>NPC, high output</b>    | EXS-002                  | N/A   | 0-1                | No                          |
| <b>NPC</b>                 | EXS-001                  | N/A   | 0-1                | No                          |
| <b>24V card</b>            | EXP-024                  | N/A   | 0-1                | No                          |
| <b>Blank panel</b>         | EXX-001                  | N/A   | 0-10               | No                          |
| <b>Fan filter kit, 2RU</b> | 131-501768-001           | N/A   | 0-1                | No                          |

Figure 4 Hardware Components

### 2.2.2 Cryptographic Boundary

The cryptographic boundary of the module is the hardware chassis. The module is a hardware module with firmware running on the NCC card within the chassis.

The processor of this platform executes all firmware. All firmware components of the module are persistently stored within the device and, while executing, are stored in the device local RAM.

Optionally, an ASIC on the RAC card provides the necessary functionality to support the Payload Encryption and Payload Decryption services.

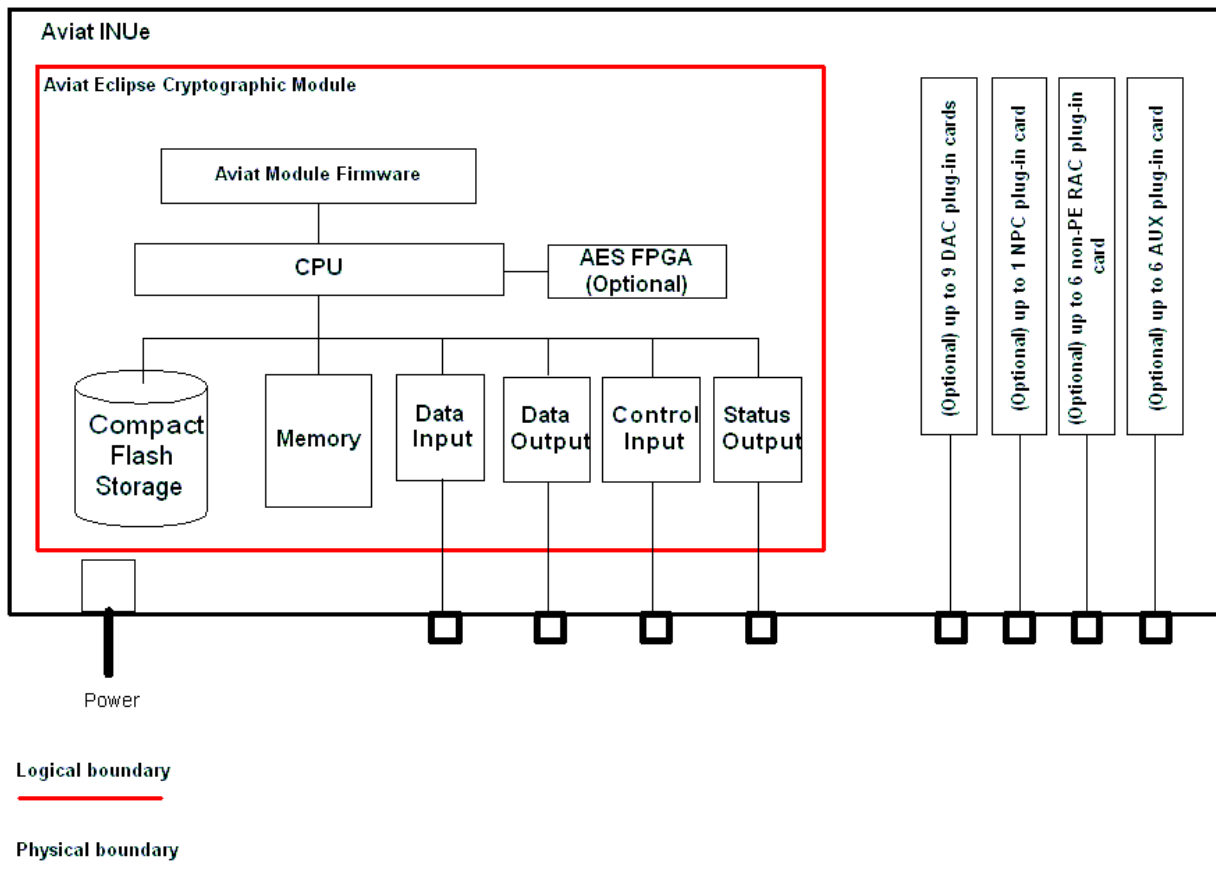


Figure 5 Block Diagram of the Cryptographic Boundary

### 2.2.3 Scope of Validation

The cryptographic module meets the overall requirements applicable to Level 2 security of FIPS 140-2, with Cryptographic Module Specification at Level 3 and Design Assurance at Level 3.

| SECURITY REQUIREMENTS SECTION      | LEVEL |
|------------------------------------|-------|
| Cryptographic Module Specification | 3     |
| Module Ports and Interfaces        | 2     |
| Roles, Services and Authentication | 2     |
| Finite State Model                 | 2     |
| Physical Security                  | 2     |
| Operational Environment            | N/A   |
| Cryptographic Key Management       | 2     |
| EMI/EMC                            | 2     |
| Self-Tests                         | 2     |
| Design Assurance                   | 3     |
| Mitigation of Other Attacks        | N/A   |

Figure 6 Security Level Specification Per Individual Areas of FIPS 140-2

### 2.2.4 Cryptographic Algorithms

#### 2.2.4.1 Approved algorithms

The following table provides details of the approved algorithms that are included within the module:

| ALGORITHM TYPE                     | ALGORITHM  | CAVP CERTIFICATE | USE   |
|------------------------------------|--|------------------|---|
| Authentication                     | HMAC-SHA-1   | #1503            | Within TLS  |
| Hashing                            | SHA-1  | #2075            | Used by SNMPv3 to obfuscate authentication messages.                          |
|                                    | SHA-256  |                  | Firmware load test  |
| Asymmetric key                     | RSA  | #1250            | Firmware load test<br>TLS cipher suite  |
| Deterministic Random Bit Generator | SP 800-90 Hash-based DRBG                                    | #323             | Key generation  |
| Symmetric key                      | AES-256 – CBC and CFB128. Encrypt and decrypt. Also AES-128- | #2260<br>#2418   | Two implementations:<br>1. Payload Encryption<br>2. Strong Security Suite and |

| ALGORITHM TYPE      | ALGORITHM                                     | CAVP CERTIFICATE | USE                           |
|---------------------|---|------------------|-------------------------------|
|                     | CCM, AES-128-CBC, AES-192-CCM and AES-256-CCM |                  | Encryption of SNMPv3 sessions |
| Symmetric key       | Three key Triple-DES                          | #1506            | Strong Security Suite         |
| SP800-135 component | Section 4.2, TLS                              | #73              | Within TLS                    |

Figure 7 Approved Algorithms

#### 2.2.4.2 Algorithms allowed in Approved mode

- RSA (key wrapping; key establishment methodology provides 112 bits of encryption strength)- used to establish AES keys via TLS.
- MD5 (only available within TLS)

The entropy used to seed the random number generator is an NDRNG that is a non-Approved algorithm used in FIPS mode. *This is the /dev/random driver in the Linux kernel. This has had to be modified to make use of bus accesses (instead of mouse and keyboard activity, which is unavailable to the module). The time delta between bus accesses using the PPC timebase register which has a granularity of 160 microseconds is used to increase randomness. OpenSSL provides a callback that is used to feed the entropy to the DRBG on demand.*

*This is reseeded once every  $2^{24}$  calls.*

*For Hash based DRBG, reseed required every  $\leq 2^{48}$  requests (SP800-90A section 10.1).*

*Data from the entropy source has been collected and analyzed using a number of tools.*

*Dieharder: <http://www.phy.duke.edu/~rgb/General/dieharder.php>*

*and ENT: <http://www.fourmilab.ch/random/>*

*ENT output:*

*Entropy = 7.999992 bits per byte.*

*Optimum compression would reduce the size of this 24154464 byte file by 0 percent.*

*Chi square distribution for 24154464 samples is 277.48, and randomly would exceed this value 15.94 percent of the times.*

*Arithmetic mean value of data bytes is 127.5082 (127.5 = random).*

*Monte Carlo value for Pi is 3.140555386 (error 0.03 percent).*

*Serial correlation coefficient is 0.000116 (totally uncorrelated = 0.0).*

### 2.2.4.3 Non-approved algorithms

The following algorithms are also included within the module but *are only available within the module services in a non-FIPS mode* of operation:

- Diffie-Hellman (key agreement; key establishment methodology provides 112 bits of encryption strength)
- DES

DES is used by two of the SSL ciphers for the management interface (Portal). Diffie-Hellman is used for Payload Encryption key exchange.

The module uses MD5 to hash firmware components to check integrity. At startup, each component is hashed, giving a 128-bit value that is then checked against a stored value. If this fails, then the integrity test fails.

### 2.2.5 Components Excluded From the Security Requirements of the Standard

The following observable, non-security relevant components are excluded from FIPS 140-2 requirements:

- The components of all cards listed in Figure 4 except the faceplates. Since tamper evident seals are applied and necessary for physical security protection, the faceplates are security relevant and cannot be excluded. All other card components are excluded from FIPS requirements because they are non-security relevant.
- Components along both left and right sides of the RAC cards with the exception of U42 on cards RAC 6X, RAC 6XE, RAC 60, and RAC 60E. (Please see Appendix A for a complete list of excluded RAC card components.)

## 2.3 Physical Ports and Logical Interfaces

The module is classified as a multi-chip standalone module for FIPS 140-2 purposes. The module's physical boundary is that of the INUe chassis.

The module provides its logical interfaces via the physical interfaces provided in the chassis. This logical interface exposes the services (described in section 2.4.2) provided by the module.

The logical interfaces provided by the module are mapped onto the FIPS 140-2 logical interfaces: data input, data output, control input, and status output as follows:

| FIPS 140-2 LOGICAL INTERFACE | MODULE MAPPING   |
|------------------------------|--|
| Data Input                   | INUe Front panel sockets. The NCC component has four NMS connectors, providing Ethernet access for Portal or ProVision ( <a href="http://www.aviatnetworks.com/products/network-managementoss/provision/">http://www.aviatnetworks.com/products/network-managementoss/provision/</a> ). Pin assignments represent industry-standard LAN cable assembly for a 10/100Base-T, RJ-45 connector. It also has a V.24 connector providing serial data access for Portal. Data enter and leave RAC adapters via a single RJ-45 Ethernet socket. There is an RF socket to connect the RAC to a radio transceiver so that the data can be sent and received on a microwave link. |
| Data Output                  | INUe Front panel sockets (see above)   |
| Control Input                | INUe Front panel sockets (see above)   |
| Status Output                | INUe Front panel sockets (see above) and LEDs  |
| Power Interface              | NCC power interface and optional NPC. Power input limits are -40.5 to -60 V DC. The power connector is a D-Sub M/F 2W2. The positive DC return pin is connected to chassis ground.   |

Figure 8 Module Interfaces

LED status indicators:

|  | NCC STATUS LED  | NCC TEST LED    | RAC ON-LINE LED | RAC STATUS LED |
|--|-----------------|-----------------|-----------------|----------------|
| FIPS Power-up self-tests in progress         | Flashing orange | Flashing orange | N/A             | Solid red      |
| Power-up self-test failure                   | Solid red       | Off             | N/A             | Solid red      |
| Self-tests pass/FIPS (Approved) mode enabled | Solid green     | Solid green     | N/A             | Solid green    |

Figure 9 LED Status Indicators

When the three indicated LEDs are green, the module is in the Approved mode of operation. The use of the Approved mode locks out the use of non-approved algorithms.

## 2.4 Roles, Services and Authentication

### 2.4.1 Roles

The Cryptographic Module implements both a Crypto Officer role and a User role. Roles are assumed explicitly using the authentication mechanisms described below. Section 2.4.2 summarizes the services available to each role.

| ROLE           | DESCRIPTION  |
|----------------|--|
| Crypto Officer | Mapping to a combination of the Eclipse’s “Crypto”, “Engineer” and “Admin” users. Crypto Officer is able to configure security settings and payload encryption and manage user accounts.   |
| User           | Mapping on to the Eclipse “Read-only” user. A User is able to view the configuration for a specific link.  |
| Maintenance    | This role supports the capability for users to add or remove plug-in cards to the module to provide extra bandwidth or different data formats. It also allows for the insertion and removal of an optional fan air filter. Crypto Officer support is required to perform Maintenance services. |

Figure 10 Roles

### 2.4.2 Services

#### 2.4.2.1 User Services

The following services may only be performed by an operator with “User” access permissions who has been successfully authenticated to the module.

| SERVICE                   | SERVICE INPUT                                 | SERVICE OUTPUT  | DESCRIPTION  |
|---------------------------|---|-----------------|--|
| RADIUS                    | Authentication request, username and password | Success/fail    | User authentication using RADIUS. Successful authentication permits the identified User access to Craft Tool User Services.    |
| Craft Tool Authentication | Authentication request, username and password | Success/fail    | User authenticated locally by module. Successful authentication permits the identified User access to Craft Tool User Services |
| View Configuration        | View Configuration Request                    | Event log entry | Provides a user with configuration information as an event log   |

Figure 11 User Services

### 2.4.2.2 Crypto Officer Services

The following services may only be performed by an operator with “Crypto Officer” access permissions who has been successfully authenticated to the module.

| SERVICE                             | SERVICE INPUT  | SERVICE OUTPUT                            | DESCRIPTION  |
|-------------------------------------|--|---|--|
| Enable Payload Encryption           | Request to switch on payload encryption for a specific link  | Success/Fail                              | Although only a Crypto Officer may configure a secure data link, a User may enable and disable encryption on a specific microwave radio link.  |
| Disable Payload Encryption          | Request to switch off payload encryption for a specific link | Success/Fail                              | Although only a Crypto Officer may configure a secure data link, a User may enable and disable encryption on a specific microwave radio link.  |
| Craft Tool Authentication           | Authentication request, username and password                | Success/fail                              | Crypto Officer authenticated locally by module. Successful authentication permits the identified Crypto Officer access to Craft Tool Services.   |
| Firmware Upgrade                    | Upgrade request and firmware image                           | Success/fail                              | Successfully upgrading the firmware loads the new image into module and reboots the module to allow the new firmware to become operational. If the firmware upgrade fails, then the new image is not loaded and the module rolls back to the original firmware and this remains operational. |
| Zeroize                             | Zeroize request  | Success/fail                              | Zeroizes all plaintext secret and private cryptographic keys and CSPs within the module, specifically those listed in section 2.7.3.   |
| Key Management (Payload Encryption) | Link ID. Service accessed via Craft tool GUI                 | Event log entry indicates success/failure | Generates a new key for the selected link.   |
| Key Management (Secure Management)  | Enable strong security via GUI                               | Event log entry indicates success/failure | Enabling strong security is a requirement of the FIPS mode of operation. Once enabled, the key management is automatic. Keys are established as required and used to secure the appropriate services.  |
| Module Configuration                | Craft tool GUI   | Confirmation of parameters and actions    | The Craft tool is used to configure the “strong security suite” within the module.   |
| SNMP v3                             | Secure SNMP session request                                  | Secure SNMP session                       | The module adds an extra layer of security to SNMP v3 by encrypting  |



| SERVICE             | SERVICE INPUT                                 | SERVICE OUTPUT  | DESCRIPTION  |
|---------------------|---|-----------------|--|
|                     |   |                 | SNMP traffic using AES. SNMPv3 keys are manually entered. There is no internal key derivation.   |
| RADIUS              | Authentication request, username and password | Success/fail    | Crypto Officer authentication using RADIUS. Successful authentication permits the identified Crypto Officer access to Craft Tool Services. |
| View Status Request | View Status Request                           | Event log entry | Provides a user with status information as an event log.   |

Figure 12 Crypto Officer Services

### 2.4.2.3 Unauthenticated Services

| SERVICE                | SERVICE INPUT          | SERVICE OUTPUT         | DESCRIPTION   |
|------------------------|------------------------|------------------------|---|
| Payload Encryption     | Plaintext payload data | Encrypted payload data | Once a microwave link is configured and keys are established, any data sent on the link will be encrypted   |
| Payload Decryption     | Encrypted payload data | Plaintext payload data | Decrypts payload data received on a secure microwave link.  |
| Perform Self-Tests     | Power-up module        | Self-test status       | Self-tests are performed automatically at startup. If the self-tests fail, the module enters an error state. If they succeed, the module becomes operational. |
| View Status indicators | N/A                    | LED indicators         | LED indicators provide information about the state of the payload encryption service and the self-test results.   |

Figure 13 Other Services

Firmware integrity checking allows an operator to perform the RSA signature generation and verification.

### 2.4.2.4 Maintenance

Maintenance consists of inserting, removing or replacing plug-in cards and the fan air filter. The Crypto Officer must perform the zeroize service and then power down the module. The module must remain

powered down during maintenance and then the Crypto Officer must power up the module and perform the zeroize service to complete the maintenance.

### Plug-in Cards

To remove a plug-in card or blank, remove its tamper evident labels, loosen its front-panel fastening screws and pull it towards you. Inserting a card may require the removal of a blank to access the card slot. To insert a plug-in card, push it into the appropriate slot. Ensure its backplane connector is correctly engaged before applying sufficient pressure to bring the plug-in panel flush with the front panel. Secure the card using its fastening screws.

### Fan Air Filter

For the INUe, a fan air filter kit is supplied, comprising a filter frame, filter element, and fastening screw. It is installed in the INUe to the right side of the FAN module, as illustrated below.

Remove the FAN module and slide the air filter into the chassis so that it locates to the right side of the FAN module backplane connector, and up against the chassis side. FAN module removal and replacement does not affect traffic.

Installation instructions are included with the fan filter kit.

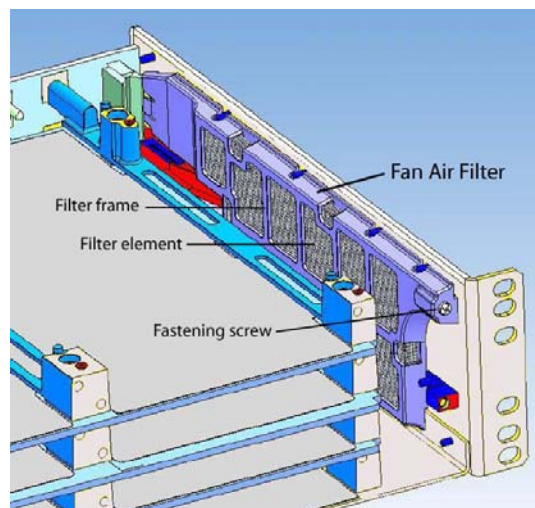


Figure 14 Location of Fan Air Filter in INUe

### Renewing Physical Security Following a Maintenance Task

The physical security measures must be checked and renewed as appropriate following any module maintenance. When replacing a tamper evident label, any residue from a previous label must be removed before a new label is applied.

#### 2.4.3 Authentication

The module uses role-based and identity-based user authentication. RADIUS may be used for user authentication and RADIUS is authenticated to the module using a shared secret.

User and Crypto Officers are authenticated by presenting a username and password to the module for authentication. This is either done locally by the module using its own list of local users and their credentials or remotely using a RADIUS server and a centrally held database of users and credentials. If the user identity and password match stored values then authentication is successful.

In order to meet the requirement that the probability shall be less than one in 1,000,000 that a random attempt will succeed or a false acceptance will occur, certain restrictions are placed upon operator passwords.

For locally defined users passwords must be between 8 and 32 characters and be comprised of at least one letter and one number. Users defined on RADIUS servers are outside of the module's control, but for the module to operate in FIPS mode, such users must have a password of similar strength and as an absolute minimum, must have at least 5 characters. Even with a 5 character lower case alphabetic password, that still gives a random chance of guessing the correct password in a single attempt of 1 in 11,881,376. Real-world passwords will normally be more complex than this. The module locks out user logon attempts for one minute after three consecutive logon failures. Assuming the weakest password and the ability of an attacker to make 3 logon attempts in a minute, this still gives the random chance of successfully guessing correctly a password given multiple attempts in a minute at 1 in 3,960,458.6, which is greater than the 1 in 100,000 required.

## 2.5 Physical Security

The module is entirely encased by a thick steel chassis. The back of the chassis is completely closed off and internally has a backplane into which plug-in cards may be inserted. The front of the chassis, where plug-in cards are inserted, must be sealed in a commissioned module. The sides of the chassis have vent holes to allow air to flow across components within the module to provide cooling and prevent overheating.

The INUe enclosure (Figure 15) has an NCC card and ten expansion slots, each of which must either contain a plug-in card or be covered by a blanking plate.



Figure 15 INUe Enclosure

The module is supplied with a set of tamper evident labels. Once a module is commissioned, the labels must be applied to the NCC, plug-in cards and blanking plates, such that for each item that borders that chassis, there is a label joining the item to the chassis. For each item that does not border the chassis, there is a label linking it to its neighbor.

Opacity: The module enclosure has vent holes at the sides. The vent holes are covered by louvers that provide no line of sight view of any internal components. Four (4) tamper evident labels are fitted to each louver.

Two (2) sizes of tamper evident labels are used in the module and must be fitted correctly to satisfy the physical security requirements for the module. The wider labels must be used for the louvers and the narrower labels must be used on the top front and on the front panel. Fitting instructions are provided below.

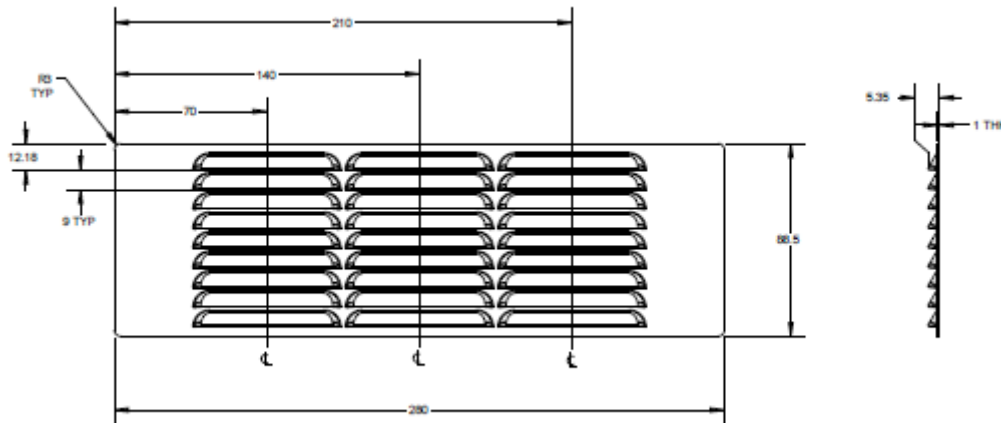


Figure 16 Louvers

The tamper evident labels and louvers/filters shall be installed for the module to operate in a FIPS Approved mode of operation.

The Crypto Officer is responsible for the application and maintenance of the physical security policy:

To fit the louvers:

All surfaces must be clean and dry prior to installation. Wipe the side of the INUe surfaces with isopropyl alcohol and let dry. Place the INUe shelf on flat surface and install the louver panels as shown below.

***Left Hand Side (as viewed from the front)***

- Locate the louver panel and remove the paper backing from the double sided pressure sensitive adhesive (PSA) foam tape.

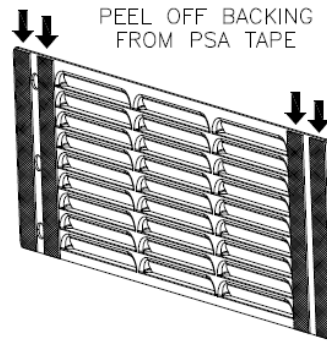


Figure 17 Left Hand Louver

- Align the front edge of the louver panel with the edge of the radius near the front mounting ear.
- Align the bottom edge of the louver panel with the bottom edge of the INUe shelf.

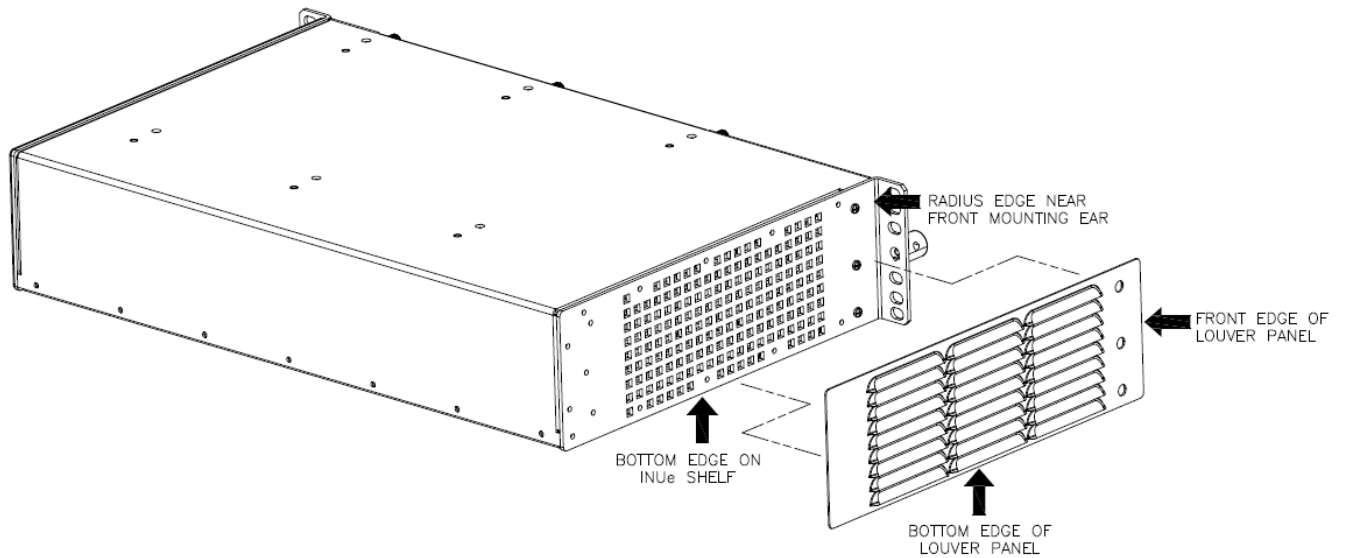
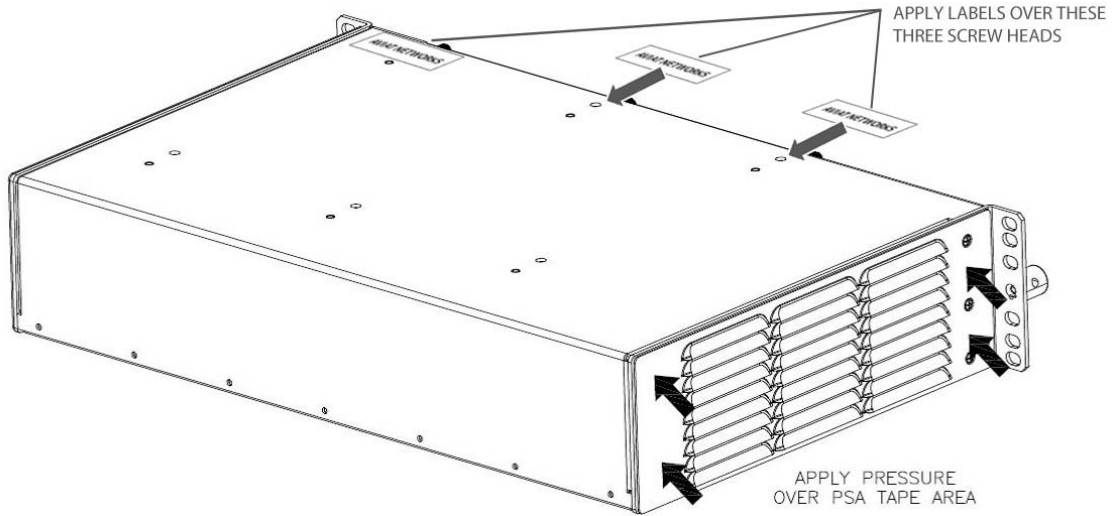


Figure 18 Fitting the Left Hand Louver - 1

- Apply strong pressure to the side of the louver panel to bond the PSA to the INUe shelf.

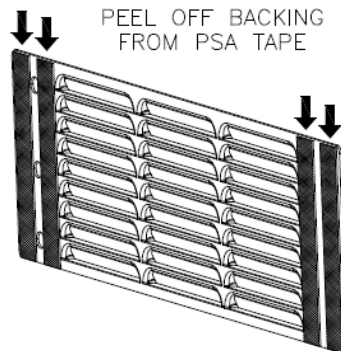


**Figure 19 Fitting the Left Hand Louver – 2 and Position of “Top” Tamper Evident Labels**

- Let the louver panel PSA cure for at least 5 minutes before proceeding to install the right hand side.

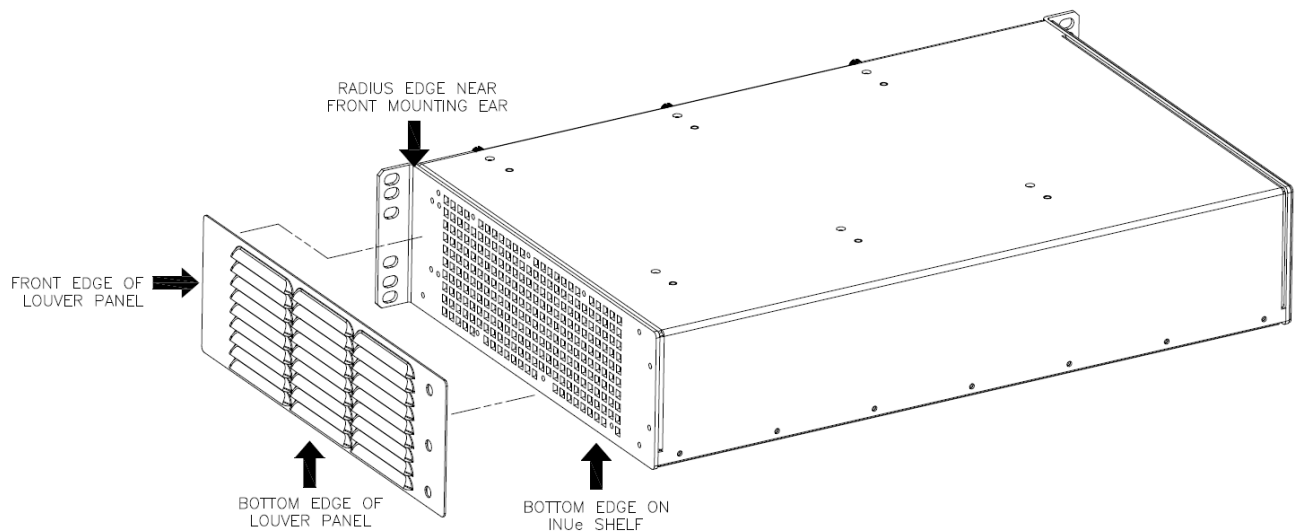
**Right Hand Side (as viewed from the front)**

- Locate the louver panel and remove the paper backing from the double sided PSA foam tape.



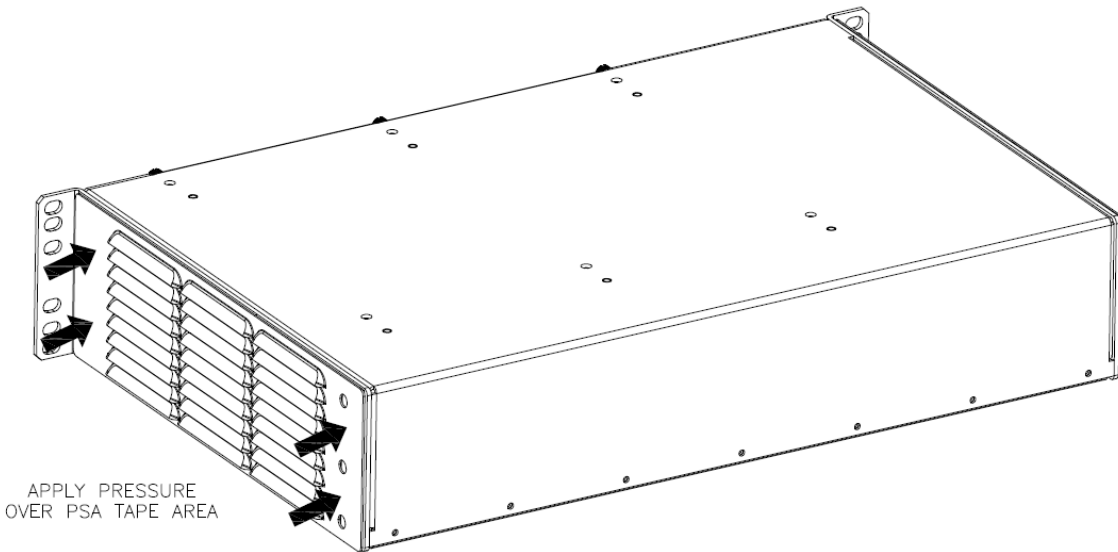
**Figure 20 Right Hand Louver**

- Align the front edge of the louver panel with the edge of the radius near the front mounting ear.
- Align the bottom edge of the louver panel with the bottom edge of the INUe shelf.



**Figure 21 Fitting the Right Hand Louver - 1**

- Apply strong pressure to the side of the louver panel to bond PSA to the INUe shelf.



**Figure 22 Fitting the Right Hand Louver – 2**

- Let the louver panel PSA cure for at least 5 minutes then proceed to installing the security labels.

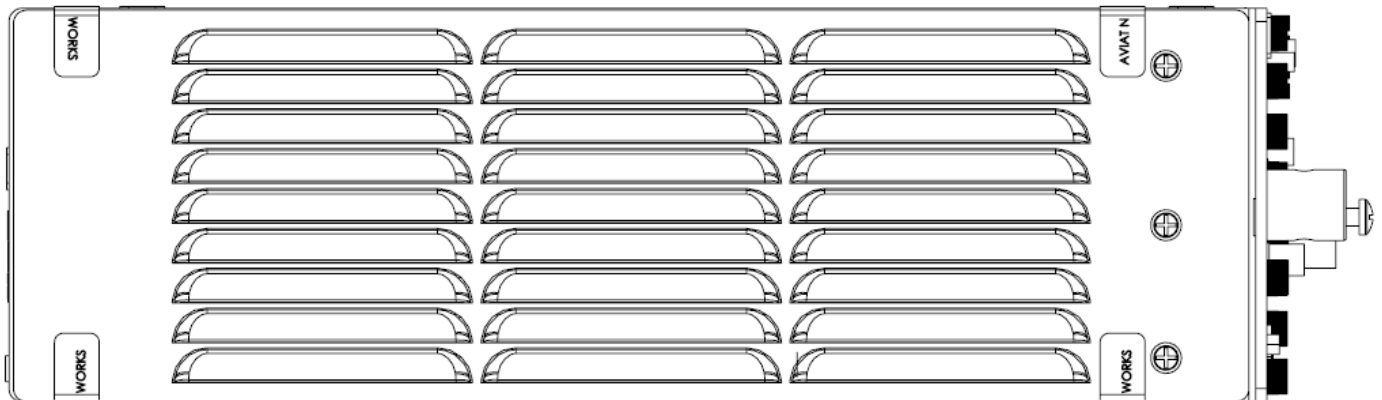
Apply security LABELS over louver panels:

***Left hand side (as viewed from the front)***

- Apply the wider security label over louver panel and across INUe chassis. Use caution to avoid touching the adhesive with fingerprints to avoid damaging the labels. Allow the label adhesive at least 60 minutes to cure.

***Right hand side (as viewed from the front)***

- Apply the wider security label over louver panel and across INUe chassis. Use caution to avoid touching the adhesive with fingerprints to avoid damaging the labels. Allow the label adhesive at least 60 minutes to cure.



**Figure 23 Location of Security Labels Over Louver Panel (Left Hand Side Shown – Right Hand Side is Mirror Image)**



Immediately before the INUe is installed into its rack/cabinet, apply the narrower tamper evident labels as shown in Figure 19 with a label over each of the three (3) top-front screw heads, and apply the four (4) wider labels per side as indicated in Figure 23.

- Clean the areas where the labels are to be applied as appropriate using alcohol-based cleaning pads or a rag moistened with isopropyl alcohol, and let dry.
- When peeling and placing the labels avoid finger contact with the label backing to prevent damage to the label. The use of tweezers applied on the edge of the label is recommended.
- Ensure the labels are not damaged when installing the INUe into its rack/cabinet.

To install the tamper evident labels on front panel:

- Verify that the front panel is contiguous
- For slots that do not contain plug-in cards, fit a blank panel (HW P/N EXX-001 per Figure 4)
- Remove excessive grease, dirt, or oil from the cover if appropriate by using alcohol-based cleaning pads before applying the tamper evident labels. The chassis temperature should be above 10° C (50° F).
- Affix (12) narrower tamper evident labels as indicated in Figure 24 below such that it is not possible to remove either a single card or a group of cards without also removing a label and leaving tamper evidence.
- Install the INUe shelf into the rack and apply security label over front of the cards in the chassis as shown. Use caution to avoid touching the adhesive with fingerprints to avoid damaging the labels. Allow the label adhesive at least 60 minutes to cure.
- The tamper evident labels should be replaced whenever components are added or removed from the module. Replacement labels can be ordered from Aviat Networks, part number 007-600331-001
- Tamper evident labels should be inspected for integrity at least once every six (6) months

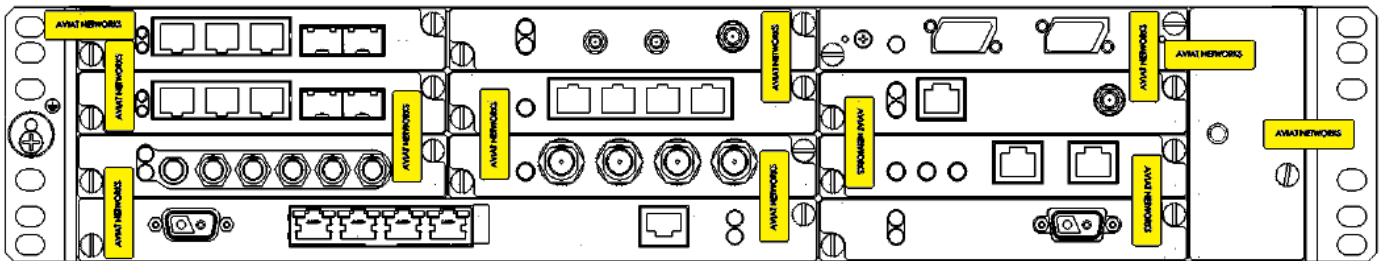


Figure 24 Tamper Evident Label Positions

## 2.6 Operational Environment

The module operational environment is derived from a version of embedded Linux. This has been adapted such that there is no general purpose operating system functionality available to an operator.

The only firmware that can be loaded is the module firmware. The module firmware can be updated using the “Firmware Upgrade” service. This requires the verification of a digital signature.

The Operating Environment of the module is a *limited operational environment* and so the Section 6 Operational Environment requirements are not applicable.

## 2.7 Cryptographic Key Management

### 2.7.1 Random Number Generators

The module contains an approved SP 800-90 Hash-based DRBG.

### 2.7.2 Key Generation

Keys generated internally are generated by the SP 800-90 DRBG seeded by system entropy. Checks are made to ensure that the quantity of the entropy remains high enough to be used to seed the DRBG. The module uses the Hash-based DRBG to generate symmetric AES keys and Asymmetric RSA key pairs.

### 2.7.3 Key Table

The following tables list all of the keys and CSPs within the module, describe their purpose, and describe how each key is generated, entered and output, stored and destroyed.

| KEY                                | PURPOSE   |
|------------------------------------|---|
| TLS Private key                    | Establish TLS tunnel for HTTPS and WMTS ports for managing remote radio.  |
| TLS tunnel key                     | Encrypt TLS session for the Craft tool and web server. Symmetrical key AES-128, AES-256 or Triple-DES   |
| RADIUS shared secret               | Used for MD5 hashing of RADIUS passwords  |
| SNMPv3 privacy password            | Used for encrypting SNMPv3 packets  |
| SNMPv3 authentication password     | Used for encrypting SNMPv3 packets  |
| Payload Encryption RSA Private key | Used to establish payload encryption TLS tunnel key   |
| Payload Encryption TLS tunnel key  | Used to encrypt the AES tunnel established using TLS key  |
| Payload encryption key             | Used for to encrypt payload. Only 128, 192 or 256 bits are used for payload encryption.   |
| Hash DRBG C and V                  | These are variables used internally by the Hash DRBG that are required by Implementation Guidance 14.5 to be listed in the Cryptographic Module Security Policy document. |
| User Password                      | Used to authenticate User to Craft Tool   |
| Crypto Officer Password            | Used to authenticate Crypto Officer to Craft Tool   |

Figure 25 Module Cryptographic Keys and CSPs

| KEY                                   | PURPOSE   |
|---------------------------------------|---|
| <p>TLS Certificate</p>                | <p>Self-generated and self-signed certificate used to establish TLS tunnel for HTTPS and WMTS ports for managing remote radio.</p> <p>Can use any of the following cipher suites to establish tunnel:</p> <p>TLS_RSA_WITH_AES_256_CBC_SHA<br/>           TLS_RSA_WITH_AES_128_CBC_SHA<br/>           TLS_RSA_WITH_Triple-DES_EDE_CBC_SHA</p>  |
| <p>Payload Encryption Certificate</p> | <p>Self-generated and self-signed certificate used to generate payload encryption tunnel key.</p> <p>The mechanism for exchanging the Payload Encryption key is to create a TLS tunnel first and then transmit the generated AES key to the remote end. For this we are using a different self-signed TLS certificate and secret key from the HTTPS and WMTS TLS tunnel. The TLS_RSA_WITH_AES_256_CBC_SHA cipher suite is used.</p> |
| <p>Integrity key</p>                  | <p>A fixed and hard coded key used in the firmware load conditional self-test</p>   |

Figure 26 Module Public Keys

| KEY                                | KEY LENGTH/STRENGTH                               | GENERATION/ESTABLISHMENT   | STORAGE LOCATION   |
|------------------------------------|---|--|--|
| TLS Private key                    | 2048 bits RSA key                                 | Generated by module  | Non-volatile memory  |
| TLS tunnel key                     | 128 or 256 bit depending on TLS cipher suite used | Key is generated by approved DRBG and then established using TLS | RAM  |
| RADIUS shared secret               | 128 bits  | Entered by Crypto Officer  | RAM, Non-volatile memory   |
| SNMPv3 privacy password            | 128 bits  | Entered by Crypto Officer  | RAM, Non-volatile memory   |
| SNMPv3 authentication password     | 128 bits  | Entered by Crypto Officer  | RAM, Non-volatile memory   |
| Payload Encryption RSA Private key | 2048 bits RSA key                                 | Generated in module  | Non-volatile memory  |
| Payload Encryption TLS tunnel key  | 256 bits Symmetric key                            | Established using TLS. Generated by module.                      | RAM  |
| Payload encryption key             | up to 256 bits                                    | Generated by module.   | RAM  |
| Hash DRBG "V" CSP                  | 440 bits  | Hash of entropy bits, nonce bits, and personalization string     | RAM  |
| Hash DRBG "C" CSP                  | 440 bits  | Hash of "V"  | RAM  |
| User Password                      | 5+ characters                                     | N/A  | Not persistently stored, held in RAM until authentication is completed |
| Crypto Officer Password            | 5+ characters                                     | N/A  | Not persistently stored, held in RAM until authentication is completed |

Figure 27 Key Table Part 1

| KEY                                | ARE KEYS SUPPLIED ENCRYPTED OR PLAINTEXT? | ENTRY/OUTPUT  | DESTRUCTION  |
|------------------------------------|---|---|--|
| TLS Private key                    | Plaintext                                 | Generated in module, not entered.                                   | Key is zeroized  |
| TLS tunnel key                     | Encrypted                                 | Established using TLS   | Key is zeroized  |
| RADIUS shared secret               | Encrypted                                 | Entered by crypto officer through Craft tool                        | Key is overwritten. When the key is updated using portal, the new key is transmitted over TLS to the INU. The INU zeroizes the existing key in the encrypted key object. The INU then stores the new key in the encrypted key object. This key is used in all future requests to the RADIUS server. Encryption of the key is done using AES-128. |
| SNMPv3 privacy password            | Plaintext                                 | Entered by crypto officer through Craft tool                        | Key is overwritten   |
| SNMPv3 authentication password     | Plaintext                                 | Entered by crypto officer through Craft tool                        | Key is overwritten   |
| Payload Encryption RSA Private key | Plaintext                                 | N/A   | Key is overwritten   |
| Payload Encryption TLS tunnel key  | Encrypted                                 | Established using TLS   | Key is zeroized  |
| Payload Encryption key             | Encrypted                                 | Exchanged with peer module using existing TLS tunnel                | Key is zeroized  |
| Hash DRBG "V" CSP                  | Plaintext                                 | N/A   | Key is zeroized  |
| Hash DRBG "C" CSP                  | Plaintext                                 | N/A   | Key is zeroized  |
| User Password                      | N/A                                       | Entered by User during Craft Tool operator authentication           | Not persistently stored. Zeroized once authentication is complete  |
| Crypto Officer Password            | N/A                                       | Entered by Crypto Officer during Craft Tool operator authentication | Not persistently stored. Zeroized once authentication is complete  |

Figure 28 Key Table Part 2

| KEY                            | KEY LENGTH/STRENGTH | GENERATION/ESTABLISHMENT | STORAGE LOCATION  |
|--------------------------------|---------------------|--------------------------|---|
| TLS Certificate                | 2048 bits RSA key   | Generated by module      | Non-volatile memory.<br>Signed by MD5 with RSA                                      |
| Payload Encryption Certificate | 2048 bits RSA key   | Derived from secret key  | RAM   |
| Integrity key                  | 2048 bit RSA key    | Fixed key                | Public integrity key will be stored within the module.<br>The private key will not. |

Figure 29 Public Key Table Part 1

| KEY                            | ARE KEYS SUPPLIED ENCRYPTED OR PLAINTEXT? | ENTRY/OUTPUT                      | DESTRUCTION           |
|--------------------------------|---|-----------------------------------|-----------------------|
| TLS Certificate                | Signed by RSA with SHA-256                | Generated in module, not entered. | Key is not destroyed. |
| Payload Encryption Certificate | Plaintext                                 | Generated in module, not entered. | Key is overwritten    |
| Integrity key                  | Plaintext                                 | Fixed                             | Key is not destroyed  |

Figure 30 Public Key Table Part 2

#### 2.7.4 CSP Destruction

All secret and private key material managed by the module can be zeroized using the key zeroization service. This is a Crypto Officer service requiring Crypto Officer authentication. CSP zeroization is performed procedurally and requires the Crypto Officer to enter zero values for the manually entered CSPs (SNMPv3 passwords and RADIUS shared secret) and also perform the key zeroization service to zeroize the other secret and private keys. A reboot of the module is required to complete the CSP zeroization and the Crypto Office should remain in control of the module until the module self-tests have completed following the reboot.

## 2.7.5 Access to Key Material

The following table shows the access that an operator has to specific keys or other critical security parameters when performing each of the services relevant to his/her role.

| KEY                                   | TLS SECRET KEY | TLS CERTIFICATE | RADIUS SHARED SECRET | SNMPV3 PRIVACY PASSWORD | SNMPV3 AUTHENTICATION PASSWORD | CA PUBLIC KEY | CA CERTIFICATE | PAYLOAD ENCRYPTION CERTIFICATE | PAYLOAD ENCRYPTION RSA SECRET KEY | PAYLOAD ENCRYPTION SHARED SECRET | TLS TUNNEL KEY | FIRMWARE INTEGRITY KEY | HASH DRBG "C" CSP | HASH DRBG "V" CSP | USER PASSWORD | CRYPTO OFFICER PASSWORD |
|---------------------------------------|----------------|-----------------|----------------------|-------------------------|--------------------------------|---------------|----------------|--------------------------------|-----------------------------------|----------------------------------|----------------|------------------------|-------------------|-------------------|---------------|-------------------------|
| <b><u>User Services</u></b>           |                |                 |                      |                         |                                |               |                |                                |                                   |                                  |                |                        |                   |                   |               |                         |
| View Configuration                    | R              | R               | R                    |                         |                                |               |                |                                |                                   |                                  | R              |                        |                   |                   |               |                         |
| Craft Tool Authentication             | R              | R               | R                    |                         |                                |               |                |                                |                                   |                                  | R              |                        |                   |                   | X             |                         |
| <b><u>Crypto Officer Services</u></b> |                |                 |                      |                         |                                |               |                |                                |                                   |                                  |                |                        |                   |                   |               |                         |
| Disable Payload Encryption            | R              | R               | R                    |                         |                                |               |                |                                |                                   |                                  | R              |                        |                   |                   |               |                         |
| Enable Payload Encryption             | R              | R               | R                    |                         |                                |               |                |                                |                                   |                                  | R              |                        |                   |                   |               |                         |
| Craft Tool authentication             | R              | R               | R                    |                         |                                |               |                |                                |                                   |                                  | R              |                        |                   |                   |               | X                       |
| Firmware Upgrade                      |                |                 |                      |                         |                                |               |                |                                |                                   |                                  |                | r                      |                   |                   |               |                         |
| Zeroize                               |                |                 | W                    | W                       | W                              |               |                | W                              | W                                 | W                                | W              |                        | W                 | W                 |               |                         |
| Key Management (Payload Encryption)   |                |                 |                      |                         |                                | R             | R              | R                              | R                                 | W                                |                |                        | X                 | X                 |               |                         |
| Key Management (Secure Management)    | R              | R               | R                    |                         |                                |               |                |                                |                                   |                                  | R              |                        |                   |                   |               |                         |
| Module Configuration                  | R              | R               | R                    |                         |                                |               |                |                                |                                   |                                  |                |                        |                   |                   |               |                         |
| SNMP v3                               |                |                 |                      | R, W                    | R, W                           |               |                |                                |                                   |                                  |                |                        |                   |                   |               |                         |

| KEY                             | TLS SECRET KEY | TLS CERTIFICATE | RADIUS SHARED SECRET | SNMPV3 PRIVACY PASSWORD | SNMPV3 AUTHENTICATION PASSWORD | CA PUBLIC KEY | CA CERTIFICATE | PAYLOAD ENCRYPTION CERTIFICATE | PAYLOAD ENCRYPTION RSA SECRET KEY | PAYLOAD ENCRYPTION SHARED SECRET | TLS TUNNEL KEY | FIRMWARE INTEGRITY KEY | HASH DRBG "C" CSP | HASH DRBG "V" CSP | USER PASSWORD | CRYPTO OFFICER PASSWORD |
|---------------------------------|----------------|-----------------|----------------------|-------------------------|--------------------------------|---------------|----------------|--------------------------------|-----------------------------------|----------------------------------|----------------|------------------------|-------------------|-------------------|---------------|-------------------------|
| RADIUS                          |                |                 | R,<br>W              |                         |                                |               |                |                                |                                   |                                  |                |                        |                   |                   |               |                         |
| View Status Request             | R              | R               | R                    |                         |                                |               |                |                                |                                   |                                  | R              |                        |                   |                   |               |                         |
| <b>Unauthenticated Services</b> |                |                 |                      |                         |                                |               |                |                                |                                   | X                                |                |                        |                   |                   |               |                         |
| Payload Encryption              |                |                 |                      |                         |                                |               |                |                                |                                   | X                                |                |                        |                   |                   |               |                         |
| Payload Decryption              |                |                 |                      |                         |                                |               |                |                                |                                   |                                  |                |                        |                   |                   |               |                         |
| Perform Self-Tests              |                |                 |                      |                         |                                |               |                |                                |                                   |                                  |                |                        |                   |                   |               |                         |
| View Status indicators          |                |                 |                      |                         |                                |               |                |                                |                                   |                                  |                |                        |                   |                   |               |                         |

Figure 31 Access to Keys by Services

Access Rights

- Blank Not Applicable
- R Read
- W Write
- X Execute

Note: Key zeroization zeroizes all keys and CSPs; this is a “write” operation in that all keys are overwritten with zeroes.

**2.8 Self-Tests**

The module implements both power-up and conditional self-tests as required by FIPS 140-2. The following two sections outline the tests that are performed.



### 2.8.1 Power-up Self-tests

| OBJECT          | TEST   |
|-----------------|--|
| SHA-1           | Known answer test  |
| AES             | Encrypt Known answer test<br>Decrypt Known answer test<br>(AES #2418)                  |
| AES             | Encrypt Known answer test AES (Cert. #2260)  |
| Triple-DES      | Encrypt Known answer test<br>Decrypt Known answer test                                 |
| RSA             | Known answer test (signature generation)<br>Known answer test (signature verification) |
| DRBG            | SP800-90 Hash-based DRBG Known answer test   |
| Module firmware | Firmware Integrity Check using MD5 hash of components                                  |
| HMAC-SHA-1      | Known answer test  |
| SHA-256         | Known answer test  |

Figure 32 Power-up Self-tests

### 2.8.2 Conditional Self-tests

| EVENT   | TEST   | CONSEQUENCE OF FAILURE   |
|---|--|--|
| Module requests a random number from the FIPS Approved SP800-90 DRBG          | A continuous random number generator test  | Random number is not generated and module enters an error state. |
| Entropy is supplied to the FIPS approved SP800-90 Hash-based DRBG             | A continuous random number generator test on the entropy NDRNG   | Entropy is not added and module enters an error state            |
| Firmware upgrade  | Firmware load test – Approved integrity technique using SHA-256 and RSA.   | Firmware upgrade fails.  |
| Manual key entry test   | Duplicate entries  | Key not loaded   |
| Asymmetric key pair generated   | RSA Pairwise Consistency test  | Key rejected and module enters an error state                    |
| RAC enters switches between a bypass mode and cryptographic mode of operation | Exclusive Bypass test – two independent actions are required to change mode (encrypted to bypass and vice versa) and test the correct operation of the services providing cryptographic processing when the switch | RAC is disabled and no data is passed.                           |



OCCURS

Figure 33 Conditional self-tests

## 2.9 Design Assurance

Aviat Networks employ industry standard best practices in the design, development, production and maintenance of the Aviat Networks Eclipse product, including the FIPS 140-2 module.

Aviat Networks has an ISO 9001 Quality Management System.

This includes the use of an industry standard configuration management system that is operated in accordance with the requirements of FIPS 140-2, such that each configuration item that forms part of the module is stored with a label corresponding to the version of the module and that the module and all of its associated documentation can be regenerated from the configuration management system with reference to the relevant version number.

Design documentation for the module is maintained to provide clear and consistent information within the document hierarchy to enable transparent traceability between corresponding areas throughout the document hierarchy, for instance, between elements of this Cryptographic Module Security Policy (CMSP) and the design documentation.

Guidance appropriate to an operator's Role is provided with the module and provides all of the necessary assistance to enable the secure operation of the module by an operator, including the Approved security functions of the module.

Delivery of the Cryptographic Module to customers from the vendor is via third party couriers. The parcels are sealed in tamper evident packaging and each parcel is tracked from vendor to customer. Once on site, the customer must follow vendor guidance to securely install and configure the module.

## 2.10 Mitigation of Other Attacks

The module does not mitigate any other attacks.

### 3 FIPS Mode of Operation

Once the module has been commissioned, the front panel of the module should be sealed, with no visible gaps and tamper evident seals applied as described in section 2.5 above.

The module is set into FIPS mode as follows:

1. Install FIPS capable NCC with CF card containing FIPS validated firmware
2. Power up NCC
3. Connect to NCC with Portal
4. Install S/W license containing Strong Security, FIPS compliance, and optional Payload Encryption
5. Set security mode to "FIPS"
6. Select "Yes" when Portal asks for confirmation
7. NCC reboots
8. Connect to NCC using Portal
9. Log in to NCC using a default Crypto Officer
10. Configure desired security settings and add local users and/or RADIUS servers as required
11. By default Payload Encryption is disabled, Bypass warning alarm raised against RAC
12. Log in as a user with Crypto Officer permissions
13. Perform other RAC and Payload Encryption configuration and enable Payload Encryption

The use of the Approved mode locks out the use of non-approved algorithms.

For more details, please see the Eclipse User Manual Addendum for FIPS 140-2.

## **Appendix A- RAC 60E/6XE Excluded Components**

None of these components process plaintext CSPs or represent a threat of the unit being compromised should they fail.

| <b>View 1</b> |                    | <b>(Along Top of RAC Card)</b> |   |
|---------------|--------------------|--------------------------------|---|
| <b>Ref</b>    | <b>Part Number</b> | <b>Part Description</b>        | <b>Circuit</b>  |
| J6            |                    | Connector (not fitted)         | FPGA 1/2 (SCH Sheet 8) - Test Header                  |
| J4            |                    | Connector (not fitted)         | Master Modem 2/3 (SCH Sheet 12) - Debug Connector     |
| R211          |                    | Resistor                       | Master Modem 2/3 (SCH Sheet 12) - Debug pull-up       |
| J5            |                    | Connector (not fitted)         | Master Modem 2/3 (SCH Sheet 12) - BDM/JTAG Connector  |
| U20           | 084-397128-001     | IC, CPLD XC9572XL-10VQ64I      | CPLD & JTAG Interface (SCH Sheet 5) - Logic           |
| U40           | 083-845385-001     | IC, BUFFER / LINE DRIVER       | CPLD & JTAG Interface (SCH Sheet 5) - JTAG Buffer     |
| J7            |                    | Connector                      | CPLD & JTAG Interface (SCH Sheet 5) - JTAG Connector  |
| C404          |                    | Capacitor                      | Master Modem 1/3 (SCH Sheet 11) - 1.2V Regulator      |
| C405          |                    | Capacitor                      | Master Modem 1/3 (SCH Sheet 11) - 1.2V Regulator      |
| U16           | 080-417105-001     | IC, REGULATOR 1.2V, 800MA      | Master Modem 1/3 (SCH Sheet 11) - 1.2V Regulator      |
| U26           | 080-417089-001     | IC, 500 MA, 3.3 V, REGULATOR   | Master Modem 1/3 (SCH Sheet 11) - 3.3V Regulator      |
| C39           |                    | Capacitor                      | Master Modem 1/3 (SCH Sheet 11) - 3.3V Regulator      |
| C35           |                    | Capacitor                      | Master Modem 1/3 (SCH Sheet 11) - 3.3V Regulator      |
| R192          |                    | Resistor                       | Master Modem 2/3 (SCH Sheet 12) - Sys Clk pull-down   |
| R195          |                    | Resistor                       | Master Modem 2/3 (SCH Sheet 12) - Sys Clk pull-up     |
| C49           |                    | Capacitor                      | Master IF Transceiver (SCH Sheet 17) - 3.3V Regulator |
| FB17          | 063-501118-001     | 6A BEAD INDUCTOR               | Master IF Transceiver (SCH Sheet 17) - 3.3V Regulator |
| U30           | 080-417089-001     | IC, 500 MA, 3.3 VDC, REGULATOR | Master IF Transceiver (SCH Sheet 17) - 3.3V Regulator |
| C360          |                    | Capacitor                      | N-Plexer / ODU INTF (SCH Sheet 20) - Tx IF Power      |
| R420          |                    | Resistor                       | N-Plexer / ODU INTF (SCH Sheet 20) - Tx IF Power      |
| R422          |                    | Resistor                       | N-Plexer / ODU INTF (SCH Sheet 20) - Tx IF Power      |
| R423          |                    | Resistor                       | N-Plexer / ODU INTF (SCH Sheet 20) - Tx IF Power      |
| R425          |                    | Resistor                       | N-Plexer / ODU INTF (SCH Sheet 20) - Tx IF Power      |
| R426          |                    | Resistor                       | N-Plexer / ODU INTF (SCH Sheet 20) - Tx IF            |

|      |                |                                 |  |
|------|----------------|---------------------------------|--|
|      |                |                                 | Power  |
| R427 |                | Resistor                        | N-Plexer / ODU INTF (SCH Sheet 20) - Tx IF Power |
| U35  | 081-306311-003 | DUAL OPAMP LM2904               | N-Plexer / ODU INTF (SCH Sheet 20) - Tx IF Power |
| R415 |                | Resistor                        | N-Plexer / ODU INTF (SCH Sheet 20) - Tx IF Power |
| R416 |                | Resistor                        | N-Plexer / ODU INTF (SCH Sheet 20) - Tx IF Power |
| R418 |                | Resistor                        | N-Plexer / ODU INTF (SCH Sheet 20) - Tx IF Power |
| R419 |                | Resistor                        | N-Plexer / ODU INTF (SCH Sheet 20) - Tx IF Power |
| R421 |                | Resistor                        | N-Plexer / ODU INTF (SCH Sheet 20) - Tx IF Power |
| R424 |                | Resistor                        | N-Plexer / ODU INTF (SCH Sheet 20) - Tx IF Power |
| C350 |                | Capacitor                       | N-Plexer / ODU INTF (SCH Sheet 20) - Tx IF Power |
| L28  | 063-312470-720 | IND,CHIP 47NH 2% 1008           | N-Plexer / ODU INTF (SCH Sheet 20) - Tx IF Power |
| C353 |                | Capacitor                       | N-Plexer / ODU INTF (SCH Sheet 20) - Tx IF Power |
| C354 |                | Capacitor                       | N-Plexer / ODU INTF (SCH Sheet 20) - Tx IF Power |
| U12  | 082-433001-001 | IC, 2.5GHZ PWR DETECT<br>AD8361 | N-Plexer / ODU INTF (SCH Sheet 20) - Tx IF Power |
| FL4  | 075-501032-001 | N-PLEXER, DC SURGE ARREST       | N-Plexer / ODU INTF (SCH Sheet 20) - N-Plexer    |

| <b>View 2</b> |                    | <b>(Along Bottom of RAC Card)</b> |  |
|---------------|--------------------|-----------------------------------|--|
| <b>Ref</b>    | <b>Part Number</b> | <b>Part Description</b>           | <b>Circuit</b>   |
| F1            | 027-386008-001     | FUSE, 5A, SMT 125VAC/DC, FAST     | Power Regulation (SCH Sheet 3) - ODU Power   |
| R7            |                    | Resistor                          | Power Regulation (SCH Sheet 3) - ODU Power   |
| R8            |                    | Resistor                          | Power Regulation (SCH Sheet 3) - ODU Power   |
| R30           |                    | Resistor                          | Power Regulation (SCH Sheet 3) - ODU Power   |
| R31           |                    | Resistor                          | Power Regulation (SCH Sheet 3) - ODU Power   |
| R32           |                    | Resistor                          | Power Regulation (SCH Sheet 3) - ODU Power   |
| R33           |                    | Resistor                          | Power Regulation (SCH Sheet 3) - ODU Power   |
| R34           |                    | Resistor                          | Power Regulation (SCH Sheet 3) - ODU Power   |
| C67           |                    | Capacitor                         | Power Regulation (SCH Sheet 3) - ODU Power   |
| U33           | 081-306311-003     | DUAL OPAMP LM2904                 | Power Regulation (SCH Sheet 3) - ODU Power<br>Amux and Telemetry (SCH Sheet 6) - 48V Monitor |
| R121          |                    | Resistor                          | Amux and Telemetry (SCH Sheet 6) - 48V Monitor   |
| R10           |                    | Resistor                          | Amux and Telemetry (SCH Sheet 6) - 48V Monitor   |
| R123          |                    | Resistor                          | Amux and Telemetry (SCH Sheet 6) - 48V Monitor   |
| CR8           | 077-313988-001     | D'L SWIT'G 70V/.25A BAV99<br>S023 | Amux and Telemetry (SCH Sheet 6) - 48V Monitor   |

|      |                |                               |  |
|------|----------------|-------------------------------|--|
| C27  |                | Capacitor                     | Power Regulation (SCH Sheet 3) - 1.2V Regulator                                |
| C394 |                | Capacitor                     | Power Regulation (SCH Sheet 3) - 1.2V Regulator                                |
| C396 |                | Capacitor                     | Power Regulation (SCH Sheet 3) - 1.2V Regulator                                |
| C398 |                | Capacitor                     | Power Regulation (SCH Sheet 3) - 1.2V Regulator                                |
| C399 |                | Capacitor                     | Power Regulation (SCH Sheet 3) - 1.2V Regulator                                |
| FL2  | 075-316592-003 | FILTER 6800PF 110V/10A SMT    | Power Regulation (SCH Sheet 3) - 1.2V Regulator                                |
| U18  | 080-417118-001 | IC, 8A 4MHZ STEP-DOWN REG     | Power Regulation (SCH Sheet 3) - 1.2V Regulator                                |
| C393 |                | Capacitor                     | Power Regulation (SCH Sheet 3) - 1.2V Regulator                                |
| C401 |                | Capacitor                     | Power Regulation (SCH Sheet 3) - 1.2V Regulator                                |
| U15  | 083-845422-002 | IC, QAM XPIC MODEM, PVG610X   | Slave Modem (SCH Sheets 14 & 15) - Modem                                       |
| U3   | 081-302321-001 | DUAL OPAMP LMC6482            | Master IF Transceiver (SCH Sheet 17) - AGC<br>Slave RX IF (SCH Sheet 18) - AGC |
| U34  |                | DUAL OPAMP                    | Slave RX IF (SCH Sheet 18) - VCM<br>Slave RX IF (SCH Sheet 18) - XPOL Alarm    |
| C414 |                | Capacitor                     | Slave RX IF (SCH Sheet 18) - AGC   |
| C415 |                | Capacitor                     | Slave RX IF (SCH Sheet 18) - AGC   |
| R15  |                | Resistor                      | Power Regulation (SCH Sheet 3) - ODU Power                                     |
| R16  |                | Resistor                      | Power Regulation (SCH Sheet 3) - ODU Power                                     |
| R17  |                | Resistor                      | Power Regulation (SCH Sheet 3) - ODU Power                                     |
| R18  |                | Resistor                      | Power Regulation (SCH Sheet 3) - ODU Power                                     |
| R37  |                | Resistor                      | Power Regulation (SCH Sheet 3) - ODU Power                                     |
| Q3   | 078-362091-002 | XSTR GP PNP (2N)5401          | Power Regulation (SCH Sheet 3) - ODU Power                                     |
| Q11  | 078-381091-001 | XSTR GP NPN (2N)5550          | Power Regulation (SCH Sheet 3) - ODU Power                                     |
| R38  |                | Resistor                      | Power Regulation (SCH Sheet 3) - ODU Power                                     |
| R39  |                | Resistor                      | Power Regulation (SCH Sheet 3) - ODU Power                                     |
| R40  |                | Resistor                      | Power Regulation (SCH Sheet 3) - ODU Power                                     |
| R41  |                | Resistor                      | Power Regulation (SCH Sheet 3) - ODU Power                                     |
| C4   |                | Capacitor                     | Power Regulation (SCH Sheet 3) - ODU Power                                     |
| C63  |                | Capacitor                     | Power Regulation (SCH Sheet 3) - ODU Power                                     |
| C402 |                | Capacitor                     | Power Regulation (SCH Sheet 3) - ODU Power                                     |
| U8   | 081-399558-001 | IC, -48V/2.5A HOT SWAP CNTRLR | Power Regulation (SCH Sheet 3) - ODU Power                                     |
| R14  |                | Resistor                      | Power Regulation (SCH Sheet 3) - ODU Power                                     |
| R44  |                | Resistor                      | Power Regulation (SCH Sheet 3) - ODU Power                                     |
| R45  |                | Resistor                      | Power Regulation (SCH Sheet 3) - ODU Power                                     |
| R46  |                | Resistor                      | Power Regulation (SCH Sheet 3) - ODU Power                                     |
| Q2   | 078-396196-001 | XSTR FET N-CH IRF540NS, D2PAK | Power Regulation (SCH Sheet 3) - ODU Power                                     |