

SA23YR48B /

SB23YR48B /

SA23YR80B /

SB23YR80B

Security Target - Public Version

Common Criteria for IT security
evaluation

SMD_Sx23YRxx_ST_09_002 Rev 02.01

November 2009



BLANK



1 Introduction

1.1 Security Target reference

- 1 Document identification: SA23YR48B / SB23YR48B / SA23YR80B / SB23YR80B SECURITY TARGET - PUBLIC VERSION.
- 2 Version number: Rev 02.01, issued November 2009.
- 3 Registration: registered at ST Microelectronics under number SMD_SBx23YRxx_ST_09_002_V02.01.

1.2 Purpose

- 4 This document presents **the Security Target - Public version (ST)** of the **SA23YR48B / SB23YR48B / SA23YR80B / SB23YR80B**, Security Integrated Circuits (IC), with Dedicated Software (DSW) and an embedded cryptographic library, designed on the **ST23 platform of STMicroelectronics**.
- 5 This document is a sanitized version of the Security Target used for the evaluation. It is classified as public information.
- 6 The precise reference of the Target of Evaluation (TOE) and the security IC features are given in [Section 3: TOE description](#).
- 7 A glossary of terms and abbreviations used in this document is given in [Appendix A: Glossary](#)

Contents

- 1 Introduction 3**
 - 1.1 Security Target reference 3
 - 1.2 Purpose 3
- 2 Context 9**
- 3 TOE description 10**
 - 3.1 TOE overview 10
 - 3.2 TOE life cycle 12
 - 3.3 TOE environment 13
 - 3.3.1 TOE Development Environment 13
 - 3.3.2 TOE production environment 14
 - 3.3.3 TOE operational environment 14
- 4 Conformance claims 15**
 - 4.1 Common Criteria conformance claims 15
 - 4.2 PP Claims 15
 - 4.2.1 PP Reference 15
 - 4.2.2 PP Refinements 15
 - 4.2.3 PP Additions 15
 - 4.2.4 PP Claims rationale 15
- 5 Security problem definition 17**
 - 5.1 Description of assets 17
 - 5.2 Threats 18
 - 5.3 Organisational security policies 19
 - 5.4 Assumptions 20
- 6 Security objectives 21**
 - 6.1 Security objectives for the TOE 21
 - 6.2 Security objectives for the environment 22
 - 6.3 Security objectives rationale 22
 - 6.3.1 TOE threat "Memory Access Violation" 23

6.3.2	Organisational security policy "Additional Specific Security Functionality"	24
7	Security requirements	25
7.1	Security functional requirements for the TOE	25
7.1.1	Limited fault tolerance (FRU_FLT.2)	26
7.1.2	Failure with preservation of secure state (FPT_FLS.1)	26
7.1.3	Limited capabilities (FMT_LIM.1)	27
7.1.4	Limited availability (FMT_LIM.2)	27
7.1.5	Audit storage (FAU_SAS.1)	27
7.1.6	Resistance to physical attack (FPT_PHP.3)	27
7.1.7	Basic internal transfer protection (FDP_ITT.1)	27
7.1.8	Basic internal TSF data transfer protection (FPT_ITT.1)	27
7.1.9	Subset information flow control (FDP_IFC.1)	28
7.1.10	Random number generation (FCS_RNG.1)	28
7.1.11	Cryptographic operation (FCS_COP.1)	28
7.1.12	Cryptographic key generation (FCS_CKM.1)	29
7.1.13	Static attribute initialisation (FMT_MSA.3)	30
7.1.14	Management of security attributes (FMT_MSA.1)	30
7.1.15	Complete access control (FDP_ACC.2)	30
7.1.16	Security attribute based access control (FDP_ACF.1)	30
7.2	TOE security assurance requirements	31
7.3	Refinement of the security assurance requirements	32
7.3.1	Refinement regarding functional specification (ADV_FSP)	33
7.3.2	Refinement regarding security policy model (ADV_SPM)	33
7.3.3	Refinement regarding test coverage (ATE_COV)	34
7.4	Security Requirements rationale	34
7.4.1	Rationale for the Security Functional Requirements	34
7.4.2	Additional security objectives are suitably addressed	35
7.4.3	Additional security requirements are consistent	36
7.4.4	Dependencies of Security Functional Requirements	36
7.4.5	Rationale for the Assurance Requirements	37
8	TOE summary specification	39
8.1	Statement of TOE security functionality	39
8.1.1	TSF_INIT_A: Hardware initialisation & TOE attribute initialisation	39
8.1.2	TSF_CONFIG_A: TOE configuration switching and control	39

8.1.3	TSF_INT_A: TOE logical integrity	39
8.1.4	TSF_TEST_A: Test of the TOE	39
8.1.5	TSF_FWL_A: Memory Firewall	40
8.1.6	TSF_PHT_A: Physical tampering protection	40
8.1.7	TSF_ADMINIS_A: Security violation administrator	40
8.1.8	TSF_OBS_A: Unobservability	41
8.1.9	TSF_SKCS_A: Symmetric Key Cryptography Support	41
8.1.10	TSF_AKCS_A: Asymmetric Key Cryptography Support	42
8.1.11	TSF_ALEAS_A: Unpredictable Number Generation Support	42
8.2	TOE summary specification rationale	42
8.2.1	TSF rationale	42
9	References	44
Appendix A	Glossary	46
A.1	Terms	46
A.2	Abbreviations.	48
10	Revision history	50

List of tables

Table 1.	Products of the TOE	10
Table 2.	Composite product life cycle phases	13
Table 3.	Summary of security environment	18
Table 4.	Summary of security objectives	21
Table 5.	Security Objectives versus Assumptions, Threats or Policies	23
Table 6.	Summary of functional security requirements for the TOE	25
Table 7.	FCS_COP.1 iterations (cryptographic operations)	28
Table 8.	FCS_CKM.1 iterations (cryptographic key generation)	29
Table 9.	TOE security assurance requirements	31
Table 10.	Impact of EAL6 selection on BSI-PP-0035 refinements	32
Table 11.	Dependencies of security functional requirements	36
Table 12.	Mapping of TSF services and SFRs	43
Table 13.	List of abbreviations	48
Table 14.	Document revision history	50

List of figures

Figure 1. SA23YR48B / SB23YR48B / SA23YR80B / SB23YR80B block diagram. 12

2 Context

- 8 The Target of Evaluation (TOE) referred to in [Section 3: TOE description](#), is evaluated under the French IT Security Evaluation and Certification Scheme and is developed by the Smartcard Division of STMicroelectronics (ST).
- 9 The Target of Evaluation (TOE) comprises the SA23YR48B, the SB23YR48B, the SA23YR80B, and the SB23YR80B. These products are directly derived from the ST23YR48B / ST23YR80B by the addition of a public key cryptographic library named respectively Neslib 3.0 SA / SB.
- 10 The assurance level of the performed Common Criteria (CC) IT Security Evaluation is EAL 6 augmented.
- 11 The intent of this Security Target is to specify the Security Functional Requirements (SFRs) and Security Assurance Requirements (SARs) applicable to the SA23YR48B / SB23YR48B / SA23YR80B / SB23YR80B security IC, and to summarise its chosen TSF services and assurance measures.
- 12 This ST claims to be an instantiation of the "[Security IC Platform Protection Profile](#)" (PP) registered and certified under the reference [BSI-PP-0035](#) in the German IT Security Evaluation and Certification Scheme, **with the following augmentations:**
- Addition #1: "Support of Cipher Schemes" from [AUG](#)
 - Addition #4: "Area based Memory Access Control" from [AUG](#)
- The original text of this PP is typeset as [indicated here](#), its augmentations from [AUG](#) as [indicated here](#), when they are reproduced in this document.
- 13 Extensions introduced in this ST to the SFRs of the Protection Profile (PP) are **exclusively** drawn from the Common Criteria part 2 standard SFRs.
- 14 This ST makes various refinements to the above mentioned PP and [AUG](#). They are all properly identified in the text typeset as **indicated here**. The original text of the PP is repeated as scarcely as possible in this document for reading convenience. All PP identifiers have been however prefixed by their respective origin label: **BSI** for [BSI-PP-0035](#), **AUG1** for Addition #1 of [AUG](#) and **AUG4** for Addition #4 of [AUG](#).

3 TOE description

3.1 TOE overview

15 The Target of Evaluation (TOE) comprises four products: the SA23YR48B, SB23YR48B, SA23YR80B, and SB23YR80B.

All 4 products share the same hardware design, and the same maskset. The different derivatives differ only on the available memory size, and on the associated cryptographic library, as detailed here below:

Table 1. Products of the TOE

Product name	EEPROM size	Crypto library
SA23YR48B	48 KBytes	Neslib SA 3.0
SB23YR48B	48 KBytes	Neslib SB 3.0
SA23YR80B	80 KBytes	Neslib SA 3.0
SB23YR80B	80 KBytes	Neslib SB 3.0

16 In this Security Target, the terms:

- “TOE” or “Sx23YRxx” mean all 4 products,
- “Sx23YR48” means the subset of products SA23YR48B / SB23YR48B,
- “Sx23YR80” means the subset of products SA23YR80B / SB23YR80B,
- “SA23YRxx” means the subset of products SA23YR48B / SA23YR80B,
- “SB23YRxx” means the subset of products SB23YR48B / SB23YR80B.

17 The rest of this document applies to all 4 products, except when a particular mention to one of the products is added. For easier reading, the restrictions corresponding to a particular product are typeset as [indicated here](#).

18 The Sx23YR48 are directly derived from the ST23YR48B by the addition of a public key cryptographic library named Neslib 3.0 SA for the SA23YR48B, Neslib 3.0 SB for the SB23YR48B.

19 The Sx23YR80 are directly derived from the ST23YR80B by the addition of a public key cryptographic library named Neslib 3.0 SA for the SA23YR80B, Neslib 3.0 SB for the SB23YR80B.

20 Such as the ST23YR48B and ST23YR80B, the TOE is a dual contact/contactless Smartcard IC based on the 8/16-bit ST23 CPU core, with 48 Kbytes EEPROM for the Sx23YR48, 80 Kbytes EEPROM for the Sx23YR80, an internally generated clock, an MPU, an internal True Random Number Generator (TRNG) and accelerators dedicated to cryptographic algorithms.

21 Operations are synchronized with an internally generated clock issued by the Clock Generator module. The internal speed of the device is fully software programmable. High performance can be reached by using high speed internal clock frequency (up to 29 MHz). The CPU interfaces with the on-chip RAM, ROM and EEPROM memories via an internal bus offering 16 MBytes of linear addressing space, protected by the memory protection unit (MPU) without performance loss.

- 22 An RF interface including an RF Universal Asynchronous Receiver Transmitter (RF UART) enables contactless communication up to 848 Kbits/s compatible with the ISO 14443-B standard.
- 23 The CPU includes the Arithmetic Logic Unit (ALU) and the control logic.
 This device includes a flexible memory protection unit (MPU), which enables a fully dynamic memory segmentation and protection without downgrading the CPU performance. The MPU enables the software to control the addressable space and registers available to any given program, thanks to a flexible and software-friendly interface. As a result, the MPU allows the software developers to enforce a wide range of memory protection policies.
 The E-DES (Enhanced DES) module supports efficiently the Data Encryption Standard (DES [2]) with built-in countermeasures against side channel attacks. Additionally, an extra feature allows fast implementation of CBC and CBC-MAC modes [10] [9].
 The NESCRYPT (NExt Step CRYPTo-processor) is the latest generation of ST cryptographic accelerator providing native modular arithmetic for both GF(p) and GF(2ⁿ) with a very high level of performance. NESCRYPT also includes dedicated instructions to accelerate SHA-1 and SHA-2 family hash functions. NESCRYPT allows efficient and secure implementation of almost all known public key cryptosystems with a high level of performance ([4], [8], [12], [18],[19], [20], [21]).
 As randomness is a key stone in many applications, the SA23YR48B / SB23YR48B / SA23YR80B / SB23YR80B feature a highly reliable True Random Number Generator (TRNG), compliant with P2 Class of AIS-31 [1] and directly accessible through dedicated registers.
- 24 In a few words, the SA23YR48B / SB23YR48B / SA23YR80B / SB23YR80B offer a unique combination of high performances and very powerful features for high level security:
- Die integrity,
 - Monitoring of environmental parameters,
 - Protection mechanisms against faults,
 - Hardware Security Enhanced DES accelerator,
 - AIS-31 class P2 compliant True Random Number Generator,
 - ISO 3309 CRC calculation block,
 - Memory Protection Unit,
 - NExt Step CRYPTography accelerator (NESCRYPT).
- 25 The TOE includes in the ST protected ROM a Dedicated Software which provides full test capabilities (operating system for test, called “OST”), not accessible by the Security IC Embedded SoftWare (SICESW), after delivery.
- 26 The SA23YRxx comprises a specific application in User ROM: this applicative Embedded Software is a cryptographic library called Neslib SA. Neslib SA is a cutting edge cryptographic library in terms of security and performance.
 Neslib SA provides the most commonly used operations in public key algorithms and protocols:
- an asymmetric key cryptographic support module, supporting secure modular arithmetic with large integers, with specialized functions for Rivest, Shamir & Adleman Standard cryptographic algorithm (RSA [20]),
 - an asymmetric key cryptographic support module that provides secure hash functions (SHA-1, SHA-224 and SHA-256 [4]).

27 The SB23YRxx comprises a specific application in User ROM: this applicative Embedded Software is a cryptographic library called Neslib SB. Neslib SB is a cutting edge cryptographic library in terms of security and performance.

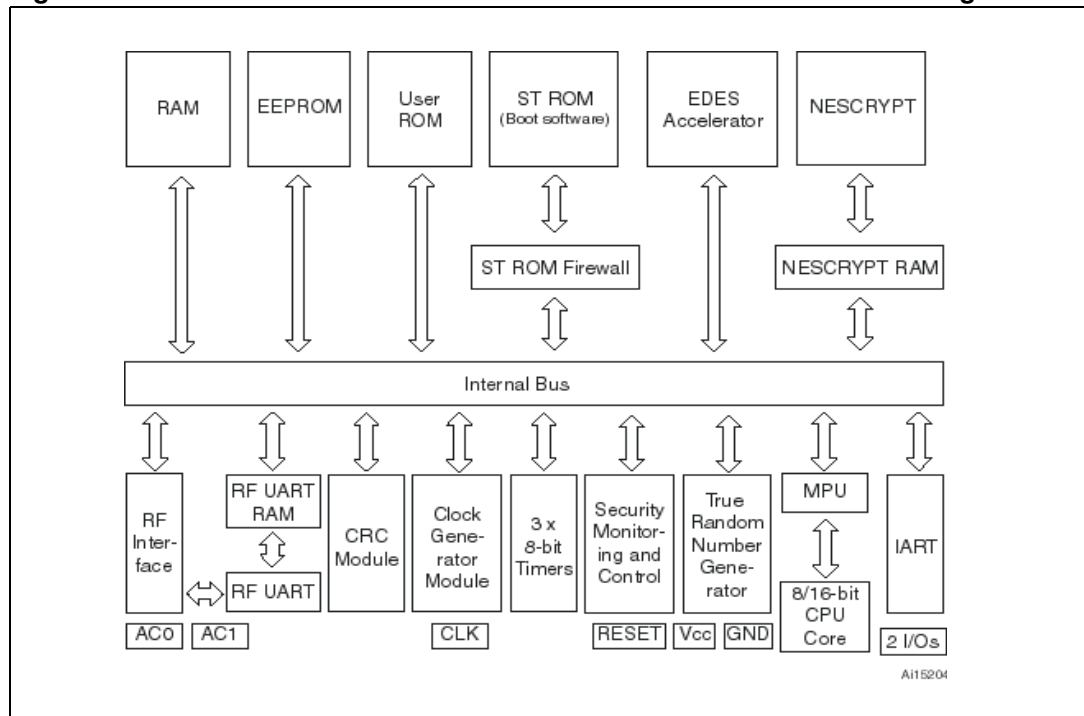
Neslib SB provides the most useful operations in public key algorithms and protocols:

- an asymmetric key cryptographic support module, supporting secure modular arithmetic with large integers, with specialized functions for Rivest, Shamir & Adleman Standard cryptographic algorithm (RSA [20]),
- a symmetric key cryptographic support module whose base algorithm is the Advanced Encryption Standard cryptographic algorithm (AES [7]),
- an asymmetric key cryptographic support module that provides very efficient basic functions to build up protocols using Elliptic Curves Cryptography on prime fields GF(p) [18],
- an asymmetric key cryptographic support module that provides secure hash functions (SHA-1, SHA-224 and SHA-256 [4]).

28 In addition, the ROM of the tested samples contains an operating system called “Card Manager” that allows the evaluators to use a set of commands with the I/O, and to load in EEPROM (or in RAM) test softwares.

29 *Figure 1* provides an overview of the SA23YR48B / SB23YR48B / SA23YR80B / SB23YR80B.

Figure 1. SA23YR48B / SB23YR48B / SA23YR80B / SB23YR80B block diagram



3.2 TOE life cycle

30 This Security Target is fully conform to the claimed PP. In the following, just a summary and some useful explanations are given. For complete details on the TOE life cycle, please refer to the *Security IC Platform Protection Profile (BSI-PP-0035)*, section 1.2.3.

- 31 The composite product life cycle is decomposed into 7 phases. Each of these phases has the very same boundaries as those defined in the claimed protection profile.
- 32 The life cycle phases are summarized in [Table 2](#).
- 33 The limit of the evaluation corresponds to phases 2 and 3, including the delivery and verification procedures of phase 1, and the TOE delivery to the IC packaging manufacturer ; procedures corresponding to phases 1, 4, 5, 6 and 7 are outside the scope of this evaluation.
- 34 The TOE Manufacturer, as defined in [[BSI-PP-0035](#)], is STMicroelectronics.
- 35 In the following, the term "TOE delivery" is uniquely used to indicate after phase 3 (or before phase 4). The TOE is delivered after phase 3, in USER configuration.

Table 2. Composite product life cycle phases

Phase	Name	Description	Responsible party
1	IC embedded software development	Security IC embedded software development	IC embedded software developer
2	IC development	IC design IC dedicated software development	IC developer: ST
3	IC manufacturing	integration and photomask fabrication IC production IC testing preparation pre-personalisation	IC manufacturer: ST
4	IC packaging	security IC packaging (and testing) pre-personalisation if necessary	IC packaging manufacturer
5	Composite product integration	composite product finishing process composite product preparation composite product shipping	Composite product integrator
6	Personalisation	composite product personalisation composite product testing	Personaliser
7	Operational usage	composite product usage by its issuers and consumers	End-consumer

3.3 TOE environment

- 36 Considering the TOE, three types of environments are defined:
 - Development environment corresponding to phase 2,
 - Production environment corresponding to phase 3,
 - Operational environment, including phase 1 and from phase 4 to phase 7.

3.3.1 TOE Development Environment

- 37 To ensure security, the environment in which the development takes place is secured with controllable accesses having traceability. Furthermore, all authorised personnel involved

- fully understand the importance and the strict implementation of defined security procedures.
- 38 The development begins with the TOE's specification. All parties in contact with sensitive information are required to abide by Non-Disclosure Agreements.
- 39 Design and development of the IC then follows, together with the dedicated and engineering software and tools development. The engineers use secure computer systems (preventing unauthorised access) to make their developments, simulations, verifications and generation of the TOE's databases. Sensitive documents, files and tools, databases on tapes, and printed circuit layout information are stored in appropriate locked cupboards/safe. Of paramount importance also is the disposal of unwanted data (complete electronic erasures) and documents (e.g. shredding).
- 40 The development centres involved in the development of the TOE are the following: **ST ROUSSET** and **ST ANG MO KIO**, for the design activities, **ST ROUSSET**, for the engineering activities, **ST ROUSSET** and **ST ZAVENTEM** for the software development activities.
- 41 Reticules and photomasks are generated from the verified IC databases; the former are used in the silicon Wafer-fab processing. As reticules and photomasks are generated off-site, they are transported and worked on in a secure environment with accountability and traceability of all (good and bad) products. During the transfer of sensitive data electronically, procedures are established to ensure that the data arrive only at the destination and are not accessible at intermediate stages (e.g. stored on a buffer server where system administrators make backup copies).
- 42 The authorized sub-contractors involved in the TOE mask manufacturing can be **DNP JAPAN** and **DPE ITALY**.

3.3.2 TOE production environment

- 43 As high volumes of product commonly go through such environments, adequate control procedures are necessary to account for all product at all stages of production.
- 44 Production starts within the Wafer-fab; here the silicon wafers undergo the diffusion processing. Computer tracking at wafer level throughout the process is commonplace. The wafers are then taken into the test area. Testing of each TOE occurs to assure conformance with the device specification. The wafers are then delivered for assembly onto the composite products.
- 45 The authorized front-end plant involved in the manufacturing of the TOE is **ST ROUSSET**.
- 46 The authorized EWS plant involved in the testing of the TOE is **ST ROUSSET**.

3.3.3 TOE operational environment

- 47 A TOE operational environment is the environment of phases 1, then 4 to 7.
- 48 At phases 1, 4, 5 and 6, the TOE operational environment is a controlled environment.
- 49 End-user environments (phase 7): composite products are used in a wide range of applications to assure authorised conditional access. Examples of such are pay-TV, banking cards, portable communication SIM cards, health cards, transportation cards, identity and passport cards. The end-user environment therefore covers a wide range of very different functions, thus making it difficult to avoid and monitor any abuse of the TOE.

4 Conformance claims

4.1 Common Criteria conformance claims

- 50 The SA23YR48B / SB23YR48B / SA23YR80B / SB23YR80B Security Target claims to be conformant to the Common Criteria version 3.1.
- 51 Furthermore it claims to be CC Part 2 ([CCMB-2007-09-002](#)) extended and CC Part 3 ([CCMB-2007-09-003](#)) conformant. The extended Security Functional Requirements are those defined in the [Security IC Platform Protection Profile \(BSI-PP-0035\)](#).
- 52 The assurance level for the SA23YR48B / SB23YR48B / SA23YR80B / SB23YR80B Security Target is **EAL 6** augmented by ALC_FLR.1.

4.2 PP Claims

4.2.1 PP Reference

- 53 The SA23YR48B / SB23YR48B / SA23YR80B / SB23YR80B Security Target claims strict conformance to the [Security IC Platform Protection Profile \(BSI-PP-0035\)](#), as required by this Protection Profile.

4.2.2 PP Refinements

- 54 The main refinements operated on the [BSI-PP-0035](#) are:
- Addition #1: “Support of Cipher Schemes” from [AUG](#),
 - Addition #4: “Area based Memory Access Control” from [AUG](#),
 - Refinement of assurance requirements.
- 55 All refinements are indicated with type setting text **as indicated here**, original text from the [BSI-PP-0035](#) being typeset [as indicated here](#). Text originating in [AUG](#) is typeset [as indicated here](#).

4.2.3 PP Additions

- 56 The security environment additions relative to the PP are summarized in [Table 3](#).
- 57 The additional security objectives relative to the PP are summarized in [Table 4](#).
- 58 A simplified presentation of the TOE Security Policy (TSP) is added.
- 59 The additional SFRs for the TOE relative to the PP are summarized in [Table 6](#).
- 60 The additional SARs relative to the PP are summarized in [Table 9](#).

4.2.4 PP Claims rationale

- 61 The differences between this Security Target security objectives and requirements and those of [BSI-PP-0035](#), to which conformance is claimed, have been identified and justified in [Section 6](#) and in [Section 7](#). They have been recalled in the previous section.
- 62 In the following, the statements of the security problem definition, the security objectives, and the security requirements are consistent with those of the [BSI-PP-0035](#).

- 63 The security problem definition presented in [Section 5](#), clearly shows the additions to the security problem statement of the PP.
- 64 The security objectives rationale presented in [Section 6.3](#) clearly identifies modifications and additions made to the rationale presented in the [BSI-PP-0035](#).
- 65 Similarly, the security requirements rationale presented in [Section 7.4](#) has been updated with respect to the protection profile.
- 66 All PP requirements have been shown to be satisfied in the extended set of requirements whose completeness, consistency and soundness has been argued in the rationale sections of the present document.

5 Security problem definition

67 This section describes the security aspects of the environment in which the TOE is intended to be used and addresses the description of the assets to be protected, the threats, the organisational security policies and the assumptions.

68 This Security Target being fully conform to the claimed PP, in the following, just a summary and some useful explanations are given. For complete details on the security problem definition please refer to the [Security IC Platform Protection Profile \(BSI-PP-0035\)](#), section 3.

69 A summary of all these security aspects and their respective conditions is provided in [Table 3](#).

5.1 Description of assets

70 The assets (related to standard functionality) to be protected are:

- the User Data,
- the Security IC Embedded Software, stored and in operation,
- the security services provided by the TOE for the Security IC Embedded Software.

71 The user (consumer) of the TOE places value upon the assets related to high-level security concerns:

- SC1 integrity of User Data and of the Security IC Embedded Software (while being executed/processed and while being stored in the TOE's memories),
- SC2 confidentiality of User Data and of the Security IC Embedded Software (while being processed and while being stored in the TOE's memories)
- SC3 correct operation of the security services provided by the TOE for the Security IC Embedded Software.

72 According to the Protection Profile there is the following high-level security concern related to security service:

- SC4 deficiency of random numbers.

73 To be able to protect these assets the TOE shall protect its security functionality. Therefore critical information about the TOE shall be protected. Critical information includes:

- logical design data, physical design data, IC Dedicated Software, and configuration data,
- Initialisation Data and Pre-personalisation Data, specific development aids, test and characterisation related data, material for software development support, and photomasks.

Such information and the ability to perform manipulations assist in threatening the above assets.

- 74 The information and material produced and/or processed by **ST** in the TOE development and production environment (Phases 2 to 3) can be grouped as follows:
- logical design data,
 - physical design data,
 - IC Dedicated Software, Security IC Embedded Software, Initialisation Data and pre-personalisation Data,
 - specific development aids,
 - test and characterisation related data,
 - material for software development support, and
 - photomasks and products in any form
- as long as they are generated, stored, or processed by **ST**.

Table 3. Summary of security environment

	Label	Title
TOE threats	BSI.T.Leak-Inherent	Inherent Information Leakage
	BSI.T.Phys-Probing	Physical Probing
	BSI.T.Malfunction	Malfunction due to Environmental Stress
	BSI.T.Phys-Manipulation	Physical Manipulation
	BSI.T.Leak-Forced	Forced Information Leakage
	BSI.T.Abuse-Func	Abuse of Functionality
	BSI.T.RND	Deficiency of Random Numbers
	AUG4.T.Mem-Access	Memory Access Violation
OSPs	BSI.P.Process-TOE	Protection during TOE Development and Production
	AUG1.P.Add-Functions	Additional Specific Security Functionality (Cipher Scheme Support)
Assumptions	BSI.A.Process-Sec-IC	Protection during Packaging, Finishing and Personalisation
	BSI.A.Plat-Appl	Usage of Hardware Platform
	BSI.A.Resp-Appl	Treatment of User Data

5.2 Threats

75 The threats are described in the [BSI-PP-0035](#), section 3.2. Only those originating in [AUG](#) are detailed in the following section.

- BSI.T.Leak-Inherent Inherent Information Leakage
- BSI.T.Phys-Probing Physical Probing
- BSI.T.Malfunction Malfunction due to Environmental Stress
- BSI.T.Phys-Manipulation Physical Manipulation
- BSI.T.Leak-Forced Forced Information Leakage
- BSI.T.Abuse-Func Abuse of Functionality

BSI.T.RND	Deficiency of Random Numbers
AUG4.T.Mem-Access	<p>Memory Access Violation:</p> <p>Parts of the Security IC Embedded Software may cause security violations by accidentally or deliberately accessing restricted data (which may include code). Any restrictions are defined by the security policy of the specific application context and must be implemented by the Security IC Embedded Software.</p> <p>Clarification: This threat does not address the proper definition and management of the security rules implemented by the Security IC Embedded Software, this being a software design and correctness issue. This threat addresses the reliability of the abstract machine targeted by the software implementation. To avert the threat, the set of access rules provided by this TOE should be undefeated if operated according to the provided guidance. The threat is not realized if the Security IC Embedded Software is designed or implemented to grant access to restricted information. It is realized if an implemented access denial is granted under unexpected conditions or if the execution machinery does not effectively control a controlled access.</p> <p>Here the attacker is expected to (i) take advantage of flaws in the design and/or the implementation of the TOE memory access rules (refer to BSI.T.Abuse-Func but for functions available after TOE delivery), (ii) introduce flaws by forcing operational conditions (refer to BSI.T.Malfunction) and/or by physical manipulation (refer to BSI.T.Phys-Manipulation). This attacker is expected to have a high level potential of attack.</p>

5.3 Organisational security policies

- 76 The TOE provides specific security functionality that can be used by the **Security IC** Embedded Software. In the following specific security functionality is listed which is not derived from threats identified for the TOE's environment because it can only be decided in the context of the **Security IC** application, against which threats the **Security IC** Embedded Software will use the specific security functionality.
- 77 ST applies the Protection policy during TOE Development and Production ([BSI.P.Process-TOE](#)) as specified below.
- 78 **ST** applies the Additional Specific Security Functionality policy ([AUG1.P.Add-Functions](#)) as specified below.
- 79 No other Organisational Security Policy (OSP) has been defined in this ST since their specifications depend heavily on the applications in which the TOE will be integrated. The Security Targets for the applications embedded in this TOE should further define them.

BSI.P.Process-TOE	<p>Protection during TOE Development and Production:</p> <p>An accurate identification is established for the TOE. This requires that each instantiation of the TOE carries this unique identification.</p>
-------------------	--

- AUG1.P.Add-Functions Additional Specific Security Functionality:
The TOE shall provide the following specific security functionality to the Security IC Embedded Software:
- Data Encryption Standard (DES),
 - Triple Data Encryption Standard (3DES),
 - Advanced Encryption Standard (AES), *for SB23YRxx only,*
 - *Elliptic Curves Cryptography on GF(p), for SB23YRxx only,*
 - *Secure Hashing (SHA-1, SHA-224, SHA-256),*
 - Rivest-Shamir-Adleman (RSA),
 - **Prime Number Generation.**
- Note that DES is no longer recommended as an encryption function in the context of smart card applications. Hence, Security IC Embedded Software may need to use triple DES to achieve a suitable strength.

5.4 Assumptions

80 The assumptions are described in the [BSI-PP-0035](#), section 3.4.

- BSI.A.Process-Sec-IC Protection during Packaging, Finishing and Personalisation
BSI.A.Plat-Appl Usage of Hardware Platform
BSI.A.Resp-Appl Treatment of User Data

6 Security objectives

- 81 The security objectives of the TOE cover principally the following aspects:
- integrity and confidentiality of assets,
 - protection of the TOE and associated documentation during development and production phases,
 - provide random numbers,
 - provide cryptographic support and access control functionality.
- 82 A summary of all security objectives is provided in [Table 4](#). Note that the origin of each objective is clearly identified in the prefix of its label.
- 83 Most of these security aspects can therefore be easily found in the protection profile. Only those originating in [AUG](#) are detailed in the following sections.

Table 4. Summary of security objectives

	Label	Title
TOE	BSI.O.Leak-Inherent	Protection against Inherent Information Leakage
	BSI.O.Phys-Probing	Protection against Physical Probing
	BSI.O.Malfunction	Protection against Malfunctions
	BSI.O.Phys-Manipulation	Protection against Physical Manipulation
	BSI.O.Leak-Forced	Protection against Forced Information Leakage
	BSI.O.Abuse-Func	Protection against Abuse of Functionality
	BSI.O.Identification	TOE Identification
	BSI.O.RND	Random Numbers
	AUG1.O.Add-Functions	Additional Specific Security Functionality
	AUG4.O.Mem Access	Dynamic Area based Memory Access Control
Environments	BSI.OE.Plat-Appl	Usage of Hardware Platform
	BSI.OE.Resp-Appl	Treatment of User Data
	BSI.OE.Process-Sec-IC	Protection during composite product manufacturing

6.1 Security objectives for the TOE

- BSI.O.Leak-Inherent Protection against Inherent Information Leakage
- BSI.O.Phys-Probing Protection against Physical Probing
- BSI.O.Malfunction Protection against Malfunctions
- BSI.O.Phys-Manipulation Protection against Physical Manipulation
- BSI.O.Leak-Forced Protection against Forced Information Leakage
- BSI.O.Abuse-Func Protection against Abuse of Functionality

BSI.O.Identification	TOE Identification
BSI.O.RND	Random Numbers
AUG1.O.Add-Functions	<p>Additional Specific Security Functionality:</p> <p>The TOE must provide the following specific security functionality to the Security IC Embedded Software:</p> <ul style="list-style-type: none"> – Data Encryption Standard (DES), – Triple Data Encryption Standard (3DES), – Advanced Encryption Standard (AES), <i>for SB23YRxx only,</i> – Elliptic Curves Cryptography on GF(p), for SB23YRxx only, – Secure Hashing (SHA-1, SHA-224, SHA-256), – Rivest-Shamir-Adleman (RSA), – Prime Number Generation.
AUG4.O.Mem Access	<p>Dynamic Area based Memory Access Control:</p> <p>The TOE must provide the Security IC Embedded Software with the capability to define dynamic memory segmentation and protection. The TOE must then enforce the defined access rules so that access of software to memory areas is controlled as required, for example, in a multi-application environment.</p>

6.2 Security objectives for the environment

84 Security Objectives for the Security IC Embedded Software development environment (phase 1):

BSI.OE.Plat-Appl	Usage of Hardware Platform
BSI.OE.Resp-Appl	Treatment of User Data

85 Security Objectives for the operational Environment (phase 4 up to 6):

BSI.OE.Process-Sec-IC	Protection during composite product manufacturing
-----------------------	---

6.3 Security objectives rationale

86 The main line of this rationale is that the inclusion of all the security objectives of the **BSI-PP-0035** protection profile, together with those in **AUG**, guarantees that all the security environment aspects identified in **Section 5** are addressed by the security objectives stated in this chapter.

87 Thus, it is necessary to show that:

- security environment aspects from **AUG** are addressed by security objectives stated in this chapter,
- security objectives from **AUG** are suitable (i.e. they address security environment aspects),
- security objectives from **AUG** are consistent with the other security objectives stated in this chapter (i.e. no contradictions).

- 88 The selected augmentations from [AUG](#) introduce the following security environment aspects:
 - TOE threat "**Memory Access Violation**, ([AUG4.T.Mem-Access](#))",
 - organisational security policy "**Additional Specific Security Functionality**, ([AUG1.P.Add-Functions](#))".
- 89 As required by CC Part 1 ([CCMB-2006-09-001](#)), no assumption nor objective for the environment has been added to those of the [BSI-PP-0035](#) Protection Profile to which strict conformance is claimed.
- 90 The justification of the additional policy and the additional threat provided in the next subsections shows that they do not contradict to the rationale already given in the protection profile [BSI-PP-0035](#) for the assumptions, policy and threats defined there.

Table 5. Security Objectives versus Assumptions, Threats or Policies

Assumption, Threat or Organisational Security Policy	Security Objective	Notes
BSI.A.Plat-Appl	BSI.OE.Plat-Appl	Phase 1
BSI.A.Resp-Appl	BSI.OE.Resp-Appl	Phase 1
BSI.P.Process-TOE	BSI.O.Identification	Phase 2-3
BSI.A.Process-Sec-IC	BSI.OE.Process-Sec-IC	Phase 4-6
BSI.T.Leak-Inherent	BSI.O.Leak-Inherent	
BSI.T.Phys-Probing	BSI.O.Phys-Probing	
BSI.T.Malfunction	BSI.O.Malfunction	
BSI.T.Phys-Manipulation	BSI.O.Phys-Manipulation	
BSI.T.Leak-Forced	BSI.O.Leak-Forced	
BSI.T.Abuse-Func	BSI.O.Abuse-Func	
BSI.T.RND	BSI.O.RND	
AUG1.P.Add-Functions	AUG1.O.Add-Functions	
AUG4.T.Mem-Access	AUG4.O.Mem Access	

6.3.1 TOE threat "Memory Access Violation"

- 91 The justification related to the threat "Memory Access Violation, ([AUG4.T.Mem-Access](#))" is as follows:
- 92 According to [AUG4.O.Mem Access](#) the TOE must enforce the **dynamic memory segmentation and protection** so that access of software to memory areas is controlled. Any restrictions are to be defined by the **Security IC** Embedded Software. Thereby security violations caused by accidental or deliberate access to restricted data (which may include code) can be prevented (refer to [AUG4.T.Mem-Access](#)). The threat [AUG4.T.Mem-Access](#) is therefore removed if the objective is met.
- 93 The added objective for the TOE [AUG4.O.Mem Access](#) does not introduce any contradiction in the security objectives for the TOE.

6.3.2 Organisational security policy "Additional Specific Security Functionality"

94 The justification related to the organisational security policy "Additional Specific Security Functionality, (*AUG1.P.Add-Functions*)" is as follows:

95 Since *AUG1.O.Add-Functions* requires the TOE to implement exactly the same specific security functionality as required by *AUG1.P.Add-Functions*, **and in the very same conditions**, the organisational security policy is covered by the objective.

96 Nevertheless the security objectives *BSI.O.Leak-Inherent*, *BSI.O.Phys-Probing*, , *BSI.O.Malfunction*, *BSI.O.Phys-Manipulation* and *BSI.O.Leak-Forced* define how to implement the specific security functionality required by *AUG1.P.Add-Functions*. (Note that these objectives support that the specific security functionality is provided in a secure way as expected from *AUG1.P.Add-Functions*.) Especially *BSI.O.Leak-Inherent* and *BSI.O.Leak-Forced* refer to the protection of confidential data (User Data or TSF data) in general. User Data are also processed by the specific security functionality required by *AUG1.P.Add-Functions*.

97 The added objective for the TOE *AUG1.O.Add-Functions* does not introduce any contradiction in the security objectives for the TOE.

7 Security requirements

98 This chapter on security requirements contains a section on security functional requirements (SFRs) for the TOE ([Section 7.1](#)), a section on security assurance requirements (SARs) for the TOE ([Section 7.2](#)), a section on the refinements of these SARs ([Section 7.3](#)) as required by the "[BSI-PP-0035](#)" Protection Profile. This chapter includes a section with the security requirements rationale ([Section 7.4](#)).

7.1 Security functional requirements for the TOE

99 Security Functional Requirements (SFRs) from the "[BSI-PP-0035](#)" Protection Profile (PP) are drawn from [CCMB-2007-09-002](#), except the following SFRs, that are **extensions** to [CCMB-2007-09-002](#):

- **FCS_RNG** Generation of random numbers,
- **FMT_LIM** Limited capabilities and availability,
- **FAU_SAS** Audit data storage.

The reader can find their certified definitions in the text of the "[BSI-PP-0035](#)" Protection Profile.

100 All extensions to the SFRs of the "[BSI-PP-0035](#)" Protection Profiles (PPs) are **exclusively** drawn from [CCMB-2007-09-002](#).

101 All iterations, assignments, selections, or refinements on SFRs have been performed according to section C.4 of [CCMB-2006-09-001](#). They are easily identified in the following text as they appear **as indicated here**. Note that in order to improve readability, iterations are sometimes expressed within tables.

102 In order to ease the definition and the understanding of these security functional requirements, a simplified presentation of the TOE Security Policy (TSP) is given in the following section.

103 The selected security functional requirements for the TOE, their respective origin and type are summarized in [Table 6](#).

Table 6. Summary of functional security requirements for the TOE

Label	Title	Addressing	Origin	Type
FRU_FLT.2	Limited fault tolerance	Malfunction	BSI-PP-0035	CCMB-2007-09-002
FPT_FLS.1	Failure with preservation of secure state			
FMT_LIM.1	Limited capabilities	Abuse of functionality	BSI-PP-0035	Extended
FMT_LIM.2	Limited availability			
FAU_SAS.1	Audit storage	Lack of TOE identification	BSI-PP-0035 Operated	

Table 6. Summary of functional security requirements for the TOE (continued)

Label	Title	Addressing	Origin	Type
FPT_PHP.3	Resistance to physical attack	Physical manipulation & probing	<i>BSI-PP-0035</i>	<i>CCMB-2007-09-002</i>
FDP_ITT.1	Basic internal transfer protection	Leakage		
FPT_ITT.1	Basic internal TSF data transfer protection			
FDP_IFC.1	Subset information flow control			
FCS_RNG.1	Random number generation	Weak cryptographic quality of random numbers	<i>BSI-PP-0035</i> Operated	Extended
FCS_COP.1	Cryptographic operation	Cipher scheme support	<i>AUG</i> #1 Operated	<i>CCMB-2007-09-002</i>
FCS_CKM.1	Cryptographic key generation		Security Target Operated	
FDP_ACC.2	Complete access control	Memory access violation	Security Target Operated	
FDP_ACF.1	Security attribute based access control			
FMT_MSA.3	Static attribute initialisation	Correct operation	<i>AUG</i> #4 Operated	
FMT_MSA.1	Management of security attribute			

7.1.1 Limited fault tolerance (FRU_FLT.2)

104 The TSF shall ensure the operation of all the TOE’s capabilities when the following failures occur: ***exposure to operating conditions which are not detected according to the requirement Failure with preservation of secure state (FPT_FLS.1).***

7.1.2 Failure with preservation of secure state (FPT_FLS.1)

105 The TSF shall preserve a secure state when the following types of failures occur: ***exposure to operating conditions which may not be tolerated according to the requirement Limited fault tolerance (FRU_FLT.2) and where therefore a malfunction could occur.***

106 Refinement:
 The term “failure” above also covers “circumstances”. The TOE prevents failures for the “circumstances” defined above.
 Regarding application note 15 of *BSI-PP-0035*, the TOE provides information on the operating conditions monitored during Security IC Embedded Software execution and after a warm reset. No audit requirement is however selected in this Security Target.



7.1.3 Limited capabilities (FMT_LIM.1)

107 The TSF shall be designed and implemented in a manner that limits their capabilities so that in conjunction with “Limited availability (FMT_LIM.2)” the following policy is enforced: Limited capability and availability Policy.

7.1.4 Limited availability (FMT_LIM.2)

108 The TSF shall be designed and implemented in a manner that limits their availability so that in conjunction with “Limited capabilities (FMT_LIM.1)” the following policy is enforced: Limited capability and availability Policy.

109 SFP_1: Limited capability and availability Policy

Deploying Test Features after TOE Delivery does not allow User Data to be disclosed or manipulated, TSF data to be disclosed or manipulated, software to be reconstructed and no substantial information about construction of TSF to be gathered which may enable other attacks.

7.1.5 Audit storage (FAU_SAS.1)

110 The TSF shall provide *the test process before TOE Delivery* with the capability to store the *Initialisation Data and/or Pre-personalisation Data and/or supplements of the Security IC Embedded Software* in the *NVM*.

7.1.6 Resistance to physical attack (FPT_PHP.3)

111 The TSF shall resist *physical manipulation and physical probing*, to the *TSF* by responding automatically such that the SFRs are always enforced.

112 Refinement:

The TSF will implement appropriate mechanisms to continuously counter physical manipulation and physical probing. Due to the nature of these attacks (especially manipulation) the TSF can by no means detect attacks on all of its elements. Therefore, permanent protection against these attacks is required ensuring that security functional requirements are enforced. Hence, “automatic response” means here (i) assuming that there might be an attack at any time and (ii) countermeasures are provided at any time.

7.1.7 Basic internal transfer protection (FDP_ITT.1)

113 The TSF shall enforce the *Data Processing Policy* to prevent the *disclosure* of user data when it is transmitted between physically-separated parts of the TOE.

7.1.8 Basic internal TSF data transfer protection (FPT_ITT.1)

114 The TSF shall protect TSF data from *disclosure* when it is transmitted between separate parts of the TOE.

115 Refinement:

The different memories, the CPU and other functional units of the TOE (e.g. a cryptographic co-processor) are seen as separated parts of the TOE.

This requirement is equivalent to FDP_ITT.1 above but refers to TSF data instead of User Data. Therefore, it should be understood as to refer to the same *Data Processing Policy* defined under FDP_IFC.1 below.

7.1.9 Subset information flow control (FDP_IFC.1)

116 The TSF shall enforce the **Data Processing Policy** on **all confidential data when they are processed or transferred by the TSF or by the Security IC Embedded Software**.

117 SFP_2: Data Processing Policy

User Data and TSF data shall not be accessible from the TOE except when the Security IC Embedded Software decides to communicate the User Data via an external interface. The protection shall be applied to confidential data only but without the distinction of attributes controlled by the Security IC Embedded Software.

7.1.10 Random number generation (FCS_RNG.1)

118 The TSF shall provide a **physical** random number generator that implements a **total failure test of the random source**.

119 The TSF shall provide random numbers that meet **P2 class of BSI-AIS31**.

7.1.11 Cryptographic operation (FCS_COP.1)

120 **Depending on the product in Table 7**, the TSF shall perform **the operations in Table 7** in accordance with a specified cryptographic algorithm **in Table 7** and cryptographic key sizes **of Table 7** that meet the **standards in Table 7**.

Table 7. FCS_COP.1 iterations (cryptographic operations)

Products	Iteration label	[assignment: list of cryptographic operations]	[assignment: cryptographic algorithm]	[assignment: cryptographic key sizes]	[assignment: list of standards]
Sx23YRxx (TOE)	DES / 3DES operation	encryption decryption - in Cipher Block Chaining (CBC) mode - in Electronic Code Book (ECB) mode - in CBC-MAC operating modes	Data Encryption Standard (DES)	56 effective bits	FIPS PUB 46-3 ISO/IEC 9797-1 ISO/IEC 10116
			Triple Data Encryption Standard (3DES)	112 effective bits	
Sx23YRxx (TOE)	RSA operation	RSA recovery (encryption) RSA signature (decryption) without the Chinese Remainder Theorem RSA signature (decryption) with the Chinese Remainder Theorem	Rivest, Shamir & Adleman's	up to 4096 bits	PKCS #1 V2.1
SB23YRxx	AES operation	cipher operation inverse cipher operation	Advanced Encryption Standard	128, 192 and 256 bits	FIPS PUB 197

Table 7. FCS_COP.1 iterations (cryptographic operations) (continued)

Products	Iteration label	[assignment: list of cryptographic operations]	[assignment: cryptographic algorithm]	[assignment: cryptographic key sizes]	[assignment: list of standards]
SB23YRxx	Elliptic Curves Cryptography operation	general point addition, point expansion point compression, public scalar multiplication private scalar multiplication	Elliptic Curves Cryptography on GF(p)	up to 640 bits	IEEE 1363-2000, chapter 7 IEEE 1363a-2004
Sx23YRxx (TOE)	SHA-1 operation	SHA-1 (secure hash function)	revised Secure Hash Algorithm (SHA-1)	assignment pointless because algorithm has no key	FIPS PUB 180-1 FIPS PUB 180-2 ISO/IEC 10118-3:1998
Sx23YRxx (TOE)	SHA-224 operation	SHA-224 (secure hash function)	revised Secure Hash Algorithm (SHA-224)	assignment pointless because algorithm has no key	FIPS PUB 180-1 FIPS PUB 180-2 ISO/IEC 10118-3:1998
Sx23YRxx (TOE)	SHA-256 operation	SHA-256 (secure hash function)	revised Secure Hash Algorithm (SHA-256)	assignment pointless because algorithm has no key	FIPS PUB 180-1 FIPS PUB 180-2 ISO/IEC 10118-3:1998

7.1.12 Cryptographic key generation (FCS_CKM.1)

121 The TSF shall generate cryptographic keys in accordance with a specified cryptographic key generation algorithm, *in Table 8*, and specified cryptographic key sizes *of Table 8* that meet the following **standards in Table 8**.

Table 8. FCS_CKM.1 iterations (cryptographic key generation)

Iteration label	[assignment: cryptographic key generation algorithm]	[assignment: cryptographic key sizes]	[assignment: list of standards]
Prime generation	prime generation algorithm	up to 2048 bits	FIPS PUB 140-2 FIPS PUB 186
Protected prime generation	prime generation algorithm, protected against side channel attacks	up to 2048 bits	FIPS PUB 140-2 FIPS PUB 186

Table 8. FCS_CKM.1 iterations (cryptographic key generation) (continued)

Iteration label	[assignment: cryptographic key generation algorithm]	[assignment: cryptographic key sizes]	[assignment: list of standards]
RSA key generation	RSA public and private keys computation algorithm	up to 4096 bits	<i>FIPS PUB 140-2</i> <i>ISO/IEC 9796-2</i> <i>PKCS #1 V2.1</i>
Protected RSA key generation	RSA public and private keys computation algorithm, protected against side channel attacks	up to 4096 bits	<i>FIPS PUB 140-2</i> <i>ISO/IEC 9796-2</i> <i>PKCS #1 V2.1</i>

7.1.13 Static attribute initialisation (FMT_MSA.3)

122 The TSF shall enforce the **Dynamic Memory Access Control Policy** to provide **minimally protective^(a)** default values for security attributes that are used to enforce the SFP.

123 The TSF shall allow **none** to specify alternative initial values to override the default values when an object or information is created.

Application note:

The security attributes are the set of access rights currently defined. They are dynamically attached to the subjects and objects locations, i.e. each logical address.

7.1.14 Management of security attributes (FMT_MSA.1)

124 The TSF shall enforce the **Dynamic Memory Access Control Policy** to restrict the ability to **modify** the current set of access rights security attributes to **software running in supervisor level**.

7.1.15 Complete access control (FDP_ACC.2)

125 The TSF shall enforce the **Dynamic Memory Access Control Policy** on **all subjects (software), all objects (data including code stored in memories)** and all operations among subjects and objects covered by the SFP.

126 The TSF shall ensure that all operations between any subject controlled by the TSF and any object controlled by the TSF are covered by an access control SFP.

7.1.16 Security attribute based access control (FDP_ACF.1)

127 The TSF shall enforce the **Dynamic Memory Access Control Policy** to objects based on the **software clearance level, the object location, the operation to be performed, and the current set of access rights**.

128 The TSF shall enforce the following rules to determine if an operation among controlled subjects and controlled objects is allowed: **the operation is allowed if and only if the**

a. See the Datasheet referenced in [Section 9](#) for actual values.

software clearance level, the object location and the operation matches an entry in the current set of access rights.

129 The TSF shall explicitly authorise access of subjects to objects based on the following additional rules: **none**.

130 The TSF shall explicitly deny access of subjects to objects based on the following additional rules: **none**.

Note: *It should be noted that this level of policy detail is not needed at the application level. The composite Security Target writer should describe the SICESW access control and information flow control policies instead. Within the SICESW High Level Design description, the chosen setting of IC security attributes would be shown to implement the described policies relying on the IC SFP presented here.*

131 The following SFP **Dynamic Memory Access Control Policy** is defined for the requirement "Security attribute based access control (FDP_ACF.1)":

132 SFP_3: *Dynamic Memory Access Control Policy*

133 The TSF must control read, write, execute accesses of software to data (including code stored in memory areas), based on their respective clearance levels and on the current set of access rights.

7.2 TOE security assurance requirements

134 Security Assurance Requirements for the TOE for the evaluation of the TOE are those taken from the Evaluation Assurance Level 6 (EAL6) and augmented by taking the following component:

- ALC_FLR.1.

135 Regarding application note 21 of [BSI-PP-0035](#), the continuously increasing maturity level of evaluations of Security ICs justifies the selection of a higher-level assurance package.

136 The set of security assurance requirements (SARs) is presented in [Table 9](#), indicating the origin of the requirement.

Table 9. TOE security assurance requirements

Label	Title	Origin
ADV_ARC.1	Security architecture description	EAL6/ BSI-PP-0035
ADV_FSP.5	Complete semi-formal functional specification with additional error information	EAL6
ADV_IMP.2	Complete mapping of the implementation representation of the TSF	EAL6
ADV_INT.3	Minimally complex internals	EAL6
ADV_SPM.1	Formal TOE security policy model	EAL6
ADV_TDS.5	Complete semiformal modular design	EAL6
AGD_OPE.1	Operational user guidance	EAL6/ BSI-PP-0035
AGD_PRE.1	Preparative procedures	EAL6/ BSI-PP-0035
ALC_CMC.5	Advanced support	EAL6

Table 9. TOE security assurance requirements (continued)

Label	Title	Origin
ALC_CMS.5	Development tools CM coverage	EAL6
ALC_DEL.1	Delivery procedures	EAL6/ BSI-PP-0035
ALC_DVS.2	Sufficiency of security measures	EAL6/ BSI-PP-0035
ALC_FLR.1	Basic flaw remediation	Security Target
ALC_LCD.1	Developer defined life-cycle model	EAL6/ BSI-PP-0035
ALC_TAT.3	Compliance with implementation standards - all parts	EAL6
ATE_COV.3	Rigorous analysis of coverage	EAL6
ATE_DPT.3	Testing: modular design	EAL6
ATE_FUN.2	Ordered functional testing	EAL6
ATE_IND.2	Independent testing - sample	EAL6/ BSI-PP-0035
AVA_VAN.5	Advanced methodical vulnerability analysis	EAL6/ BSI-PP-0035

7.3 Refinement of the security assurance requirements

- 137 As [BSI-PP-0035](#) defines refinements for selected SARs, these refinements are also claimed in this Security Target.
- 138 The main customizing is that the IC Dedicated Software is an operational part of the TOE after delivery, although it is not available to the user.
- 139 Regarding application note 22 of [BSI-PP-0035](#), the refinements for all the assurance families have been reviewed for the hierarchically higher-level assurance components selected in this Security Target, and a refinement on ADV_SPM has been added.
- 140 The text of the impacted refinements of [BSI-PP-0035](#) is reproduced in the next sections.
- 141 For reader's ease, an impact summary is provided in [Table 10](#).

Table 10. Impact of EAL6 selection on [BSI-PP-0035](#) refinements

Assurance Family	BSI-PP-0035 Level	ST Level	Impact on refinement
ADO_DEL	1	1	None
ALC_DVS	2	2	None
ALC_CMS	4	5	None, refinement is still valid
ALC_CMC	4	5	None, refinement is still valid
ADV_ARC	1	1	None
ADV_FSP	4	5	Presentation style changes, IC Dedicated Software is included
ADV_IMP	1	2	None, refinement is still valid
ADV_SPM	-	1	New refinement added (see below)
ATE_COV	2	3	IC Dedicated Software is included

Table 10. Impact of EAL6 selection on *BSI-PP-0035* refinements (continued)

Assurance Family	<i>BSI-PP-0035</i> Level	ST Level	Impact on refinement
AGD_OPE	1	1	None
AGD_PRE	1	1	None
AVA_VAN	5	5	None

7.3.1 Refinement regarding functional specification (ADV_FSP)

- 142 ~~Although the IC Dedicated Test Software is a part of the TOE, the test functions of the IC Dedicated Test Software are not described in the Functional Specification because the IC Dedicated Test Software is considered as a test tool delivered with the TOE but not providing security functions for the operational phase of the TOE. **The IC Dedicated Software provides security functionalities as soon as the TOE becomes operational (boot software). These are properly identified in the delivered documentation.**~~
- 143 ~~The Functional Specification **refers to datasheet to** trace security features that do not provide any external interface but that contribute to fulfil the SFRs e.g. like physical protection. Thereby they are part of the complete instantiation of the SFRs.~~
- 144 ~~The Functional Specification **refers to design specifications to detail the** mechanisms against physical attacks **described** in a more general way only, but detailed enough to be able to support Test Coverage Analysis also for those mechanisms where inspection of the layout is of relevance or tests beside the TSFI may be needed.~~
- 145 ~~The Functional Specification **refers to data sheet to** specify operating conditions of the TOE. These conditions include but are not limited to the frequency of the clock, the power supply, and the temperature.~~
- 146 ~~All functions and mechanisms which control access to the functions provided by the IC Dedicated Test Software (refer to the security functional requirement (FMT_LIM.2)) **are part of the** Functional Specification. Details will be given in the document for ADV_ARC, ~~refer to Section 6.2.1.5.~~ In addition, all these functions and mechanisms **are** subsequently be refined according to all relevant requirements of the Common Criteria assurance class ADV because these functions and mechanisms are active after TOE Delivery and need to be part of the assurance aspects Tests (class ATE) and Vulnerability Assessment (class AVA). Therefore, all necessary information **is** provided to allow tests and vulnerability assessment.~~
- 147 ~~Since the selected higher-level assurance component requires a security functional specification presented in a "semi-formal style" (ADV_FSP.5.2C) the changes affect the style of description, the *BSI-PP-0035* refinements can be applied with changes covering the IC Dedicated Test Software and are valid for ADV_FSP.5.~~

7.3.2 Refinement regarding security policy model (ADV_SPM)

- 148 ~~The CC V3.1 explains how a security policy model contributes to the documentation of the security functionality of the TOE and requires the developer to indicate the policies that are formally modelled by means of the assignment designed in the part 3 assurance component ADV_SPM.1.~~
- 149 ~~The TOE documentation complies to the additional requirements included in [NOTE 12.1].~~

Formal TOE security policy model (ADV_SPM.1)

- 150 The developer **provides** a formal security policy model for the [SFP_3: Dynamic Memory Access Control Policy](#).
- 151 ~~For each policy covered by the formal security policy model, The model shall~~ identifies the relevant portions of the statement of SFRs that make up that policy.
- 152 The developer shall provides a **semi**-formal proof of correspondence between the model and ~~any~~ **the semi**-formal functional specification.
- 153 The developer shall provides a demonstration of correspondence between the model and the functional specification.

7.3.3 Refinement regarding test coverage (ATE_COV)

- 154 The TOE **is** tested under different operating conditions within the specified ranges. These conditions include but are not limited to the frequency of the clock, the power supply, and the temperature. This means that “Fault tolerance (FRU_FLT.2)” **is** proven for the complete TSF. The tests ~~must~~ also cover functions which may be affected by “ageing” (such as EEPROM writing).
- 155 The existence and effectiveness of measures against physical attacks (as specified by the functional requirement FPT_PHP.3) cannot be tested in a straightforward way. Instead **STMicroelectronics provides** evidence that the TOE actually has the particular physical characteristics (especially layout design principles). This **is** done by checking the layout (implementation or actual) in an appropriate way. The required evidence pertains to the existence of mechanisms against physical attacks (unless being obvious).
- 156 ~~The IC Dedicated Test Software is seen as a “test tool” being delivered as part of the TOE. However, the Test Features do not provide security functionality. Therefore, Test Features need not to be covered by the Test Coverage Analysis but all functions and mechanisms which limit the capability of the functions (cf. FMT_LIM.1) and control access to the functions (cf. FMT_LIM.2) provided by the IC Dedicated Test Software must be part of the Test Coverage Analysis. The IC Dedicated Software provides security functionalities as soon as the TOE becomes operational (boot software). These are part of the Test Coverage Analysis.~~

7.4 Security Requirements rationale

7.4.1 Rationale for the Security Functional Requirements

- 157 Just as for the security objectives rationale of [Section 6.3](#), the main line of this rationale is that the inclusion of all the security requirements of the [BSI-PP-0035](#) protection profile, together with those in [AUG](#), guarantees that all the security objectives identified in [Section 6](#) are suitably addressed by the security requirements stated in this chapter, and that the latter together form an internally consistent whole.
- 158 As origins of security objectives have been carefully kept in their labelling, and origins of security requirements have been carefully identified in [Table 6](#) and [Table 9](#), it can be verified that the justifications provided by the [BSI-PP-0035](#) protection profile and [AUG](#) can just be carried forward to their union.

- 159 From [Table 4](#), it is straightforward to identify two additional security objectives for the TOE ([AUG1.O.Add-Functions](#) and [AUG4.O.Mem Access](#)), all tracing back to [AUG](#). This rationale must show that security requirements suitably address these too.
- 160 Furthermore, a more careful observation of the requirements listed in [Table 6](#) and [Table 9](#) shows that:
- there are additional security requirements introduced by this Security Target ([FCS_CKM.1](#) and various assurance requirements of EAL6),
 - there are security requirements introduced from [AUG](#) ([FCS_COP.1](#), [FDP_ACC.2](#), [FDP_ACF.1](#), [FMT_MSA.3](#) and [FMT_MSA.1](#)).
- 161 Though it remains to show that:
- security objectives from [AUG](#) are addressed by security requirements stated in this chapter,
 - additional security requirements from this Security Target and from [AUG](#) are mutually supportive to the security requirements from the [BSI-PP-0035](#) protection profile, and they do not introduce internal contradictions,
 - all dependencies are still satisfied.
- 162 The justification that the additional security objectives are suitably addressed, that the additional security requirements are mutually supportive and that, together with those already in [BSI-PP-0035](#), they form an internally consistent whole, is provided in the next subsections.

7.4.2 Additional security objectives are suitably addressed

Security objective “Dynamic Area based Memory Access Control ([AUG4.O.Mem Access](#))”

- 163 The justification related to the security objective “**Dynamic Area based Memory Access Control** ([AUG4.O.Mem Access](#))” is as follows:
- 164 The security functional requirements “**Complete access control** ([FDP_ACC.2](#))” and “**Security attribute based access control** ([FDP_ACF.1](#))”, with the related Security Function Policy (SFP) “**Dynamic Memory Access Control Policy**” exactly require to implement a **Dynamic** area based memory access control as demanded by [AUG4.O.Mem Access](#). Therefore, [FDP_ACC.2](#) and [FDP_ACF.1](#) with **their SFP are** suitable to meet the security objective.
- 165 The security functional requirement “**Static attribute initialisation** ([FMT_MSA.3](#))” requires that the TOE provides default values for security attributes. The ability to update the security attributes is restricted to privileged subject(s) **as further detailed in the security functional requirement** “**Management of security attributes** ([FMT_MSA.1](#))”. These management functions ensure that the required access control can be realised using the functions provided by the TOE.

Security objective “Additional Specific Security Functionality ([AUG1.O.Add-Functions](#))”

- 166 The justification related to the security objective “Additional Specific Security Functionality ([AUG1.O.Add-Functions](#))” is as follows:
- 167 The security functional requirements “**Cryptographic operation** ([FCS_COP.1](#))” and “**Cryptographic key generation** ([FCS_CKM.1](#))” exactly require those functions to be

implemented that are demanded by [AUG1.O.Add-Functions](#). Therefore, [FCS_COP.1](#) is suitable to meet the security objective, **together with [FCS_CKM.1](#)**.

7.4.3 Additional security requirements are consistent

"Cryptographic operation ([FCS_COP.1](#)) & key generation ([FCS_CKM.1](#))"

168 These security requirements have already been argued in [Section : Security objective "Additional Specific Security Functionality \(AUG1.O.Add-Functions\)"](#) above.

**"Static attribute initialisation ([FMT_MSA.3](#)),
Management of security attributes ([FMT_MSA.1](#)),
Complete access control ([FDP_ACC.2](#)),
Security attribute based access control ([FDP_ACF.1](#))"**

169 These security requirements have already been argued in [Section : Security objective "Dynamic Area based Memory Access Control \(AUG4.O.Mem Access\)"](#) above.

7.4.4 Dependencies of Security Functional Requirements

170 All dependencies of Security Functional Requirements have been fulfilled in this Security Target except :

- those justified in the [BSI-PP-0035](#) protection profile security requirements rationale,
- those justified in [AUG](#) security requirements rationale (except on [FMT_MSA.2](#), see discussion below),
- the dependency of [FMT_MSA.1](#) on [FMT_SMF.1](#) (see discussion below).

171 Details are provided in [Table 11](#) below.

Table 11. Dependencies of security functional requirements

Label	Dependencies	Fulfilled by security requirements in this Security Target	Dependency already in BSI-PP-0035 or in AUG
FRU_FLT.2	FPT_FLS.1	Yes	Yes, BSI-PP-0035
FPT_FLS.1	None	No dependency	Yes, BSI-PP-0035
FMT_LIM.1	FMT_LIM.2	Yes	Yes, BSI-PP-0035
FMT_LIM.2	FMT_LIM.1	Yes	Yes, BSI-PP-0035
FAU_SAS.1	None	No dependency	Yes, BSI-PP-0035
FPT_PHP.3	None	No dependency	Yes, BSI-PP-0035
FDP_ITT.1	FDP_ACC.1 or FDP_IFC.1	Yes	Yes, BSI-PP-0035
FPT_ITT.1	None	No dependency	Yes, BSI-PP-0035
FDP_IFC.1	FDP_IFF.1	No, see BSI-PP-0035	Yes, BSI-PP-0035
FCS_RNG.1	None	No dependency	Yes, BSI-PP-0035

Table 11. Dependencies of security functional requirements (continued)

Label	Dependencies	Fulfilled by security requirements in this Security Target	Dependency already in <i>BSI-PP-0035</i> or in <i>AUG</i>
FCS_COP.1	[FDP_ITC.1 or FDP_ITC.2 or FCS_CKM.1]	Yes	Yes, <i>AUG #1</i> (adapted to CC V3.1 R2, see discussion below)
	FCS_CKM.4	Yes (by the environment)	
FCS_CKM.1	[FDP_CKM.2 or FCS_COP.1]	Yes	No , <i>CCMB-2007-09-002</i>
	FCS_CKM.4	Yes (by the environment)	
FDP_ACC.2	FDP_ACF.1	Yes	No , <i>CCMB-2007-09-002</i>
FDP_ACF.1	FDP_ACC.1	Yes	Yes, <i>AUG #4</i>
	FMT_MSA.3	Yes	
FMT_MSA.3	FMT_MSA.1	Yes	Yes, <i>AUG #4</i>
	FMT_SMR.1	No, see <i>AUG #4</i>	
FMT_MSA.1	[FDP_ACC.1 or FDP_IFC.1]	Yes	Yes, <i>AUG #4</i>
	FMT_SMF.1	No, see discussion below	No , <i>CCMB-2007-09-002</i>
	FMT_SMR.1	No, see <i>AUG #4</i>	Yes, <i>AUG #4</i>

172 Part 2 of the Common Criteria defines the dependency of "*Management of security attributes (FMT_MSA.1)*" on "Specification of management functions (FMT_SMF.1)". In this particular ST, the specification of FMT_SMF.1 is useless. As stated in the **Dynamic Memory Access Control Policy** and in *FMT_MSA.1*, there is no specific function for the management of the memory access rights, it is just part of the Management of the security attributes.

173 *AUG #1* defines the dependency of "*Cryptographic operation (FCS_COP.1)*" on "Secure security attributes (FMT_MSA.2)". This dependency is not anymore defined in the Part 2 of the Common Criteria V3.1 Revision 2. Thus, it has not been retained in this Security Target.

7.4.5 Rationale for the Assurance Requirements

Security assurance requirements added to reach EAL6 (*Table 9*)

174 Regarding application note 21 of *BSI-PP-0035*, this Security Target chooses EAL6 because developers and users require a high level of independently assured security in a planned development and require a rigorous development approach without incurring unreasonable costs attributable to specialist security engineering techniques.

175 EAL6 represents a meaningful increase in assurance from EAL4 by requiring semiformal design descriptions, a more structured (and hence analyzable) architecture, and improved mechanisms and/or procedures that provide confidence that the TOE will not be tampered during development.

176 The assurance components in an evaluation assurance level (EAL) are chosen in a way that they build a mutually supportive and complete set of components. The requirements chosen for augmentation do not add any dependencies, which are not already fulfilled for the

corresponding requirements contained in EAL6. Therefore, these components add additional assurance to EAL6, but the mutual support of the requirements and the internal consistency is still guaranteed.

177 Note that detailed and updated refinements for assurance requirements are given in [Section 7.3](#).

Dependencies of assurance requirements

178 Dependencies of security assurance requirements are fulfilled by the EAL6 package selection.

179 Augmentation to this package are identified in paragraph [134](#) and do not introduce dependencies not already satisfied by the EAL6 package.

8 TOE summary specification

180 This section demonstrates how the TOE meets each Security Functional Requirement.

181 The following TSS relies on the refinement of the TSF security elements, as detailed in the TOE Functional Specification referenced in the [SB23YR80 Lafite Documentation Report](#) (see [Section 9](#), paragraph [222](#)).

8.1 Statement of TOE security functionality

182 The following TSF services are an abstraction of the TOE Functional Specification.

8.1.1 TSF_INIT_A: Hardware initialisation & TOE attribute initialisation

183 In TEST and USER configurations, this functionality ensures the following:

- the TOE starts running in a secure state,
- the TOE is securely initialised,
- the reset operation is correctly managed.

8.1.2 TSF_CONFIG_A: TOE configuration switching and control

184 In TEST and USER configurations, this functionality ensures the switching and the control of TOE configuration.

185 This functionality ensures that the TOE is either in TEST or USER configuration.

186 The only authorised TOE configuration modification is TEST to USER configuration, by the TEST administrator.

187 This functionality is responsible for the TOE configuration detection and notification to the other resources of the TOE.

8.1.3 TSF_INT_A: TOE logical integrity

188 In TEST and USER configurations, this functionality is responsible for:

- correcting single bit fails upon a read operation on each NVM byte,
- verifying valid CPU usage,
- checking integrity loss when accessing NVM, ROM or RAM,
- providing a sign engine to check code and/or data integrity loss,
- monitoring various manifestations of fault injection attempts,
- providing a security timeout feature (watchdog timer),
- providing the SICESW with the traceability information of the TOE.

189 This functionality is responsible for reporting to TSF_ADMINIS_A all detected errors resulting from the above operations.

8.1.4 TSF_TEST_A: Test of the TOE

190 This functionality is responsible for restricting access of the TOE TEST functionality to the TEST process in TEST configuration.

- 191 In TEST configuration, this functionality ensures that the only allowed TOE user is an authorized TEST process.
- 192 In TEST configuration, this functionality ensures the test of TOE functionality with respect to the IC specification, including the TSF. This functionality is therefore responsible of the hardware functional integrity (CPU, RAM, ROM, NVM, Bus...).
- 193 In TEST configuration, this functionality provides commands to store data and/or pre-personalisation data and/or supplements of the Security IC Embedded Software (personalisation).
- 194 In USER configuration, this functionality ensures that the critical TOE TEST functionality is disabled.

8.1.5 TSF_FWL_A: Memory Firewall

- 195 In TEST and USER configurations, this security functionality monitors:
- access from memory locations to other locations for ROM, RAM and NVM,
 - register access.
- 196 The TOE memories segmentation and protection can be dynamically defined, by the TOE user, thanks to the Memory Protection Unit (MPU), in order to implement various access control policies.
- 197 A default-TOE memories segmentation and protection is initially defined by ST.
- 198 In TEST and USER configurations, this security functionality relies on the MPU to ensure that only the Supervisor programs can change the TOE memories segmentation and protection in ROM, RAM and NVM.
- 199 This security functionality is responsible for the notification of violation attempts to TSF_ADMINIS_A.

8.1.6 TSF_PHT_A: Physical tampering protection

- 200 In TEST and USER configurations, this functionality ensures the following:
- the TOE detects clock and voltage supply operating changes by the environment,
 - the TOE detects attempts to violate its physical integrity, and glitch attacks,
 - the TOE is always clocked with shape and timing within specified operating conditions.
- 201 This functionality is responsible for the notification of physical tampering attempts and clock and voltage supply operating changes by the environment to TSF_ADMINIS_A.

8.1.7 TSF_ADMINIS_A: Security violation administrator

- 202 In TEST and USER configurations, this functionality ensures the management of security violations attempts.

- 203 The main security violations attempts which are managed are:
- incorrect CPU usage,
 - integrity loss in NVM, ROM or RAM,
 - code signature alarm,
 - fault injection attempt,
 - watchdog timeout.
 - access attempt to unavailable or reserved memory areas,
 - MPU errors,
 - clock and voltage supply operating changes by the environment,
 - TOE physical integrity abuse.

8.1.8 TSF_OBS_A: Unobservability

- 204 In USER configuration, this functionality addresses the *Basic internal transfer protection (FDP_ITT.1)*, the *Basic internal TSF data transfer protection (FPT_ITT.1)* and the *Subset information flow control (FDP_IFC.1)* security functional requirements expressed in this document.
- 205 This functionality provides additional support mechanisms to the SICESW developer contributing to avoid information leakage.

8.1.9 TSF_SKCS_A: Symmetric Key Cryptography Support

- 206 In USER configuration, this functionality implements the following standard symmetric key cryptography algorithms:
- Data Encryption Standard (DES) with 64 bits long keys (56 effective bits).
- This functionality supports the following standard modes of operation, both for encryption and for decryption:
- DES by itself (fast DES),
 - Triple DES.
- Each of these modes of operation can be chained in the standard Cipher Block Chaining mode (CBC).
- 207 For the SB23YRxx only, in User configuration, this security functionality implements the following standard symmetric key cryptography algorithms:
- Advanced Encryption Standard (AES) with 128, 192 and 256 bits long keys, 128 bits long blocks, providing cipher, inverse cipher and key expansion operations.

8.1.10 TSF_AKCS_A: Asymmetric Key Cryptography Support

- 208 In USER configuration, this functionality implements the following standard asymmetric key cryptography algorithms:
- RSA verification (encryption) with an RSA modulo up to 4096 bits,
 - RSA signature (decryption) using or not using the Chinese Remainder Theorem (CRT), with an RSA modulo up to 4096 bits,
 - RSA private and public keys computation with an RSA modulo up to 4096 bits,
 - RSA private and public keys computation with an RSA modulo up to 4096 bits, with additional protection against side channel attacks,
 - Prime number generation up to 3200 bits, with Rabin-Miller primality tests,
 - Prime number generation up to 3200 bits, with Rabin-Miller primality tests, with additional protection against side channel attacks.
- 209 In USER configuration, this functionality implements the following standard hash function:
- SHA-1 hash function chaining blocks of 512 bits to get a 160-bit result,
 - SHA-224 hash function chaining blocks of 512 bits to get a 224-bit result,
 - SHA-256 hash function chaining blocks of 512 bits to get a 256-bit result.
- 210 For the [SB23YRxx](#) only, in USER configuration, this security function provides to the SICESW developer the following very efficient basic functions for Elliptic Curves Cryptography over prime fields:
- general point addition,
 - point expansion and compression,
 - public scalar multiplication,
 - private scalar multiplication.

8.1.11 TSF_ALEAS_A: Unpredictable Number Generation Support

- 211 In all configurations, this functionality provides 8-bit true random numbers.
- 212 In USER configuration, this functionality supports the mitigation of information leakage.
- 213 This functionality can be qualified with the test metrics required by the [BSI-AIS31](#) standard for a P2 class device.

8.2 TOE summary specification rationale

- 214 This section shows that the TSF and assurance measures are suitable to meet the TOE security requirements.

8.2.1 TSF rationale

- 215 This section demonstrates that the combination of the specified TSF work together so as to satisfy the TOE security functional requirements.
- 216 Each of the security functional requirements is addressed by at least one or a combination of TSF services.
- 217 The complete rationale has been presented and evaluated in the [SB23YR80 Security Target](#).

218 For confidentiality reasons, this rationale is not fully reproduced here.

219 [Table 12](#) below summarises which TOE security functional requirements (SFRs) are addressed by each TSF service (TSFs).

Table 12. Mapping of TSF services and SFRs

SFRs	TSFs										
	TSF_INIT_A (8.1.1)	TSF_CONFIG_A (8.1.2)	TSF_INT_A (8.1.3)	TSF_TEST_A (8.1.4)	TSF_FWL_A (8.1.5)	TSF_PHT_A (8.1.6)	TSF_ADMINIS_A (8.1.7)	TSF_OBS_A (8.1.8)	TSF_ALEAS_A (8.1.11)	TSF_SKCS_A (8.1.9)	TSF_AKCS_A (8.1.10)
FAU_SAS.1 (7.1.5)			X	X							
FRU_FLT.2 (7.1.1)			X			X					
FPT_FLS.1 (7.1.2)	X		X		X	X	X				
FMT_LIM.1 (7.1.3)		X		X							
FMT_LIM.2 (7.1.4)		X		X							
FPT_PHP.3 (7.1.6)	X					X	X				
FDP_ITT.1 (7.1.7)						X		X	X	X	X
FPT_ITT.1 (7.1.8)						X		X	X	X	X
FDP_IFC.1 (7.1.9)						X		X	X	X	X
FCS_RNG.1 (7.1.10)									X		
FDP_ACC.2 (7.1.15)					X						
FDP_ACF.1 (7.1.16)					X						
FMT_MSA.3 (7.1.13)					X						
FMT_MSA.1 (7.1.14)					X						
FCS_COP.1 (7.1.11)										X	X
FCS_CKM.1 (7.1.12)											X

9 References

220 Protection Profile reference

Component description	Reference	Revision
Security IC Platform Protection Profile	BSI-PP-0035	1.0

221 Security Target references

Component description	Reference
SB23YR48 Security Target	SMD_SB23YR48_ST_09_001
SB23YR80 Security Target	SMD_SB23YR80_ST_08_001

222 Target of Evaluation referenced documents

223 For security reasons, all these documents are classified and their applicable revisions are referenced in the SB23YR80 Documentation Report.

Component description	Reference
SB23YR80 Lafite Documentation Report	SMD_SB23YR80_DR_09_001

224 Standards references

Ref	Identifier	Description
[1]	BSI-AIS31	A proposal for Functionality classes and evaluation methodology for true (physical) random number generators, W. Killmann & W. Schindler BSI, Version 3.1, 25-09-2001
[2]	FIPS PUB 46-3	FIPS PUB 46-3, Data encryption standard (DES), National Institute of Standards and Technology, U.S. Department of Commerce, 1999
[3]	FIPS PUB 140-2	FIPS PUB 140-2, Security Requirements for Cryptographic Modules, National Institute of Standards and Technology, U.S. Department of Commerce, 1999
[4]	FIPS PUB 180-1	FIPS PUB 180-1 Secure Hash Standard, National Institute of Standards and Technology, U.S. Department of Commerce, 1995
[5]	FIPS PUB 180-2	FIPS PUB 180-2 Secure Hash Standard with Change Notice 1 dated February 25, 2004, National Institute of Standards and Technology, U.S.A., 2004
[6]	FIPS PUB 186	FIPS PUB 186 Digital Signature Standard (DSS), National Institute of Standards and Technology, U.S.A., 1994
[7]	FIPS PUB 197	FIPS PUB 197, Advanced Encryption Standard (AES), National Institute of Standards and Technology, U.S. Department of Commerce, November 2001

Ref	Identifier	Description
[8]	ISO/IEC 9796-2	ISO/IEC 9796, Information technology - Security techniques - Digital signature scheme giving message recovery - Part 2: Integer factorization based mechanisms, ISO, 2002
[9]	ISO/IEC 9797-1	ISO/IEC 9797, Information technology - Security techniques - Message Authentication Codes (MACs) - Part 1: Mechanisms using a block cipher, ISO, 1999
[10]	ISO/IEC 10116	ISO/IEC 10116, Information technology - Security techniques - Modes of operation of an n-bit block cipher algorithm, ISO, 1997
[11]	ISO/IEC 10118-3:1998	ISO/IEC 10118-3:1998, Information technology - Security techniques - Hash functions - Part 3: Dedicated hash functions
[12]	ISO/IEC 14888	ISO/IEC 14888, Information technology - Security techniques - Digital signatures with appendix - Part 1: General (1998), Part 2: Identity-based mechanisms (1999), Part 3: Certificate based mechanisms (2006), ISO
[13]	CCMB-2006-09-001	Common Criteria for Information Technology Security Evaluation - Part 1: Introduction and general model, September 2006, version 3.1
[14]	CCMB-2007-09-002	Common Criteria for Information Technology Security Evaluation - Part 2: Security functional components, September 2007, version 3.1 Revision 2
[15]	CCMB-2007-09-003	Common Criteria for Information Technology Security Evaluation - Part 3: Security assurance components, September 2007, version 3.1 Revision 2
[16]	AUG	Smartcard Integrated Circuit Platform Augmentations, Atmel, Hitachi Europe, Infineon Technologies, Philips Semiconductors, Version 1.0, March 2002.
[17]	MIT/LCS/TR-212	On digital signatures and public key cryptosystems, Rivest, Shamir & Adleman Technical report MIT/LCS/TR-212, MIT Laboratory for computer sciences, January 1979
[18]	IEEE 1363-2000	IEEE 1363-2000, Standard Specifications for Public Key Cryptography, IEEE, 2000
[19]	IEEE 1363a-2004	IEEE 1363a-2004, Standard Specifications for Public Key Cryptography - Amendment 1: Additional techniques, IEEE, 2004
[20]	PKCS #1 V2.1	PKCS #1 V2.1 RSA Cryptography Standard, RSA Laboratories, June 2002
[21]	MOV 97	Alfred J. Menezes, Paul C. van Oorschot and Scott A. Vanstone, Handbook of Applied Cryptography, CRC Press, 1997
[22]	NOTE 12.1	Note d'application: Modélisation formelle des politiques de sécurité d'une cible d'évaluation NOTE/12.1, N°587/SGDN/DCSSI/SDR DCSSI, 25-03-2008

Appendix A Glossary

A.1 Terms

Authorised user

A user who may, in accordance with the TSP, perform an operation.

Composite product

Security IC product which includes the Security Integrated Circuit (i.e. the TOE) and the Embedded Software and is evaluated as composite target of evaluation.

End-consumer

User of the Composite Product in Phase 7.

Integrated Circuit (IC)

Electronic component(s) designed to perform processing and/or memory functions.

IC Dedicated Software

IC proprietary software embedded in a Security IC (also known as IC firmware) and developed by **ST**. Such software is required for testing purpose (IC Dedicated Test Software) but may provide additional services to facilitate usage of the hardware and/or to provide additional services (IC Dedicated Support Software).

IC Dedicated Test Software

That part of the IC Dedicated Software which is used to test the TOE before TOE Delivery but which does not provide any functionality thereafter.

IC developer

Institution (or its agent) responsible for the IC development.

IC manufacturer

Institution (or its agent) responsible for the IC manufacturing, testing, and pre-personalization.

IC packaging manufacturer

Institution (or its agent) responsible for the IC packaging and testing.

Initialisation data

Initialisation Data defined by the TOE Manufacturer to identify the TOE and to keep track of the Security IC's production and further life-cycle phases are considered as belonging to the TSF data. These data are for instance used for traceability and for TOE identification (identification data)

Object

An entity within the TSC that contains or receives information and upon which subjects perform operations.

Packaged IC

Security IC embedded in a physical package such as micromodules, DIPs, SOICs or TQFPs.

Pre-personalization data

Any data supplied by the Card Manufacturer that is injected into the non-volatile memory by the Integrated Circuits manufacturer (Phase 3). These data are for instance used for traceability and/or to secure shipment between phases.

Secret

Information that must be known only to authorised users and/or the TSF in order to enforce a specific SFP.

Security IC

Composition of the TOE, the Security IC Embedded Software, User Data, and the package.

Security IC Embedded SoftWare (SICESW)

Software embedded in the Security IC and not developed by the IC designer. The Security IC Embedded Software is designed in Phase 1 and embedded into the Security IC in Phase 3.

Security IC embedded software (SICESW) developer

Institution (or its agent) responsible for the security IC embedded software development and the specification of IC pre-personalization requirements, if any.

Security attribute

Information associated with subjects, users and/or objects that is used for the enforcement of the TSP.

Sensitive information

Any information identified as a security relevant element of the TOE such as:

- the application data of the TOE (such as IC pre-personalization requirements, IC and system specific data),
- the security IC embedded software,
- the IC dedicated software,
- the IC specification, design, development tools and technology.

Smartcard

A card according to ISO 7816 requirements which has a non volatile memory and a processing unit embedded within it.

Subject

An entity within the TSC that causes operations to be performed.

Test features

All features and functions (implemented by the IC Dedicated Software and/or hardware) which are designed to be used before TOE Delivery only and delivered as part of the TOE.

TOE Delivery

The period when the TOE is delivered which is after Phase 3 (or before Phase 4) *in this Security target*.

TSF data

Data created by and for the TOE, that might affect the operation of the TOE.

User

Any entity (human user or external IT entity) outside the TOE that interacts with the TOE.

User data

All data managed by the Smartcard Embedded Software in the application context. User data comprise all data in the final Smartcard IC except the TSF data.

A.2 Abbreviations

Table 13. List of abbreviations

Term	Meaning
AIS	Application notes and Interpretation of the Scheme (BSI)
ALU	Arithmetical and Logical Unit.
BSI	Bundesamt für Sicherheit in der Informationstechnik.
CBC	Cipher Block Chaining.
CBC-MAC	Cipher Block Chaining Message Authentication Code.
CC	Common Criteria Version 3.1.
CPU	Central Processing Unit.
CRC	Cyclic Redundancy Check.
DCSSI	Direction Centrale de la Sécurité des Systèmes d'Information
DES	Data Encryption Standard.
DIP	Dual-In-Line Package.
EAL	Evaluation Assurance Level.
ECB	Electronic Code Book.
EDES	Enhanced DES.
EEPROM	Electrically Erasable Programmable Read Only Memory.
FIPS	Federal Information Processing Standard.
I/O	Input / Output.
IC	Integrated Circuit.
ISO	International Standards Organisation.
IT	Information Technology.
MPU	Memory Protection Unit.
NESCRYPT	Next Step Cryptography Accelerator.
NIST	National Institute of Standards and Technology.
NVM	Non Volatile Memory.
OSP	Organisational Security Policy.
OST	Operating System for Test.
PP	Protection Profile.
PUB	Publication Series.
RAM	Random Access Memory.
RF	Radio Frequency.
RF UART	Radio Frequency Universal Asynchronous Receiver Transmitter.
ROM	Read Only Memory.
RSA	Rivest, Shamir & Adleman.

Table 13. List of abbreviations (continued)

Term	Meaning
SAR	Security Assurance Requirement.
SFP	Security Function Policy.
SFR	Security Functional Requirement.
SICESW	Security IC Embedded SoftWare.
SOIC	Small Outline IC.
ST	Context dependent : STMicroelectronics or Security Target .
TOE	Target of Evaluation .
TQFP	Thin Quad Flat Package.
TRNG	True Random Number Generator.
TSC	TSF Scope of Control .
TSF	TOE Security Functionality .
TSFI	TSF Interface.
TSP	TOE Security Policy.
TSS	TOE Summary Specification.

10 Revision history

Table 14. Document revision history

Date	Revision	Changes
28-Sep-2009	01.00	Initial release.
12-Oct-2009	01.01	Reference corrected.
12-Oct-2009	02.00	Revision 3.0 of the Neslib.
16-Nov-2009	02.01	Revision B of the products.

Please Read Carefully:

Information in this document is provided solely in connection with ST products. STMicroelectronics NV and its subsidiaries ("ST") reserve the right to make changes, corrections, modifications or improvements, to this document, and the products and services described herein at any time, without notice.

All ST products are sold pursuant to ST's terms and conditions of sale.

Purchasers are solely responsible for the choice, selection and use of the ST products and services described herein, and ST assumes no liability whatsoever relating to the choice, selection or use of the ST products and services described herein.

No license, express or implied, by estoppel or otherwise, to any intellectual property rights is granted under this document. If any part of this document refers to any third party products or services it shall not be deemed a license grant by ST for the use of such third party products or services, or any intellectual property contained therein or considered as a warranty covering the use in any manner whatsoever of such third party products or services or any intellectual property contained therein.

UNLESS OTHERWISE SET FORTH IN ST'S TERMS AND CONDITIONS OF SALE ST DISCLAIMS ANY EXPRESS OR IMPLIED WARRANTY WITH RESPECT TO THE USE AND/OR SALE OF ST PRODUCTS INCLUDING WITHOUT LIMITATION IMPLIED WARRANTIES OF MERCHANTABILITY, FITNESS FOR A PARTICULAR PURPOSE (AND THEIR EQUIVALENTS UNDER THE LAWS OF ANY JURISDICTION), OR INFRINGEMENT OF ANY PATENT, COPYRIGHT OR OTHER INTELLECTUAL PROPERTY RIGHT.

UNLESS EXPRESSLY APPROVED IN WRITING BY AN AUTHORIZED ST REPRESENTATIVE, ST PRODUCTS ARE NOT RECOMMENDED, AUTHORIZED OR WARRANTED FOR USE IN MILITARY, AIR CRAFT, SPACE, LIFE SAVING, OR LIFE SUSTAINING APPLICATIONS, NOR IN PRODUCTS OR SYSTEMS WHERE FAILURE OR MALFUNCTION MAY RESULT IN PERSONAL INJURY, DEATH, OR SEVERE PROPERTY OR ENVIRONMENTAL DAMAGE. ST PRODUCTS WHICH ARE NOT SPECIFIED AS "AUTOMOTIVE GRADE" MAY ONLY BE USED IN AUTOMOTIVE APPLICATIONS AT USER'S OWN RISK.

Resale of ST products with provisions different from the statements and/or technical features set forth in this document shall immediately void any warranty granted by ST for the ST product or service described herein and shall not create or extend in any manner whatsoever, any liability of ST.

ST and the ST logo are trademarks or registered trademarks of ST in various countries.

Information in this document supersedes and replaces all information previously supplied.

The ST logo is a registered trademark of STMicroelectronics. All other names are the property of their respective owners.

© 2009 STMicroelectronics - All rights reserved

STMicroelectronics group of companies

Australia - Belgium - Brazil - Canada - China - Czech Republic - Finland - France - Germany - Hong Kong - India - Israel - Italy - Japan - Malaysia - Malta - Morocco - Singapore - Spain - Sweden - Switzerland - United Kingdom - United States of America

www.st.com

