

Reference: 2023-9-INF-4307- v1  
Target: Limitada al expediente  
Date: 04.06.2024

Created by: CERT10  
Revised by: CALIDAD  
Approved by: TECNICO

## CERTIFICATION REPORT

---

Dossier #	<b>2023-9</b>
TOE	<b>Strong Customer Authentication for Apple Pay, on MacBook Air 2022 with M2 running macOS Ventura 13.3.1</b>
Applicant	<b>94-2404110 - Apple Inc.</b>
References	[EXT-8404] Certification request [EXT-8927] Evaluation technical report

---

Certification report of the product Strong Customer Authentication for Apple Pay, on MacBook Air 2022 with M2 running macOS Ventura 13.3.1, as requested in [EXT-8404] dated 27/02/2023, and evaluated by Applus Laboratories, as detailed in the Evaluation Technical Report [EXT-8927] received on 26/01/2024.

## CONTENTS

EXECUTIVE SUMMARY .....	3
TOE SUMMARY.....	3
SECURITY ASSURANCE REQUIREMENTS .....	4
SECURITY FUNCTIONAL REQUIREMENTS.....	4
IDENTIFICATION .....	6
SECURITY POLICIES.....	6
ASSUMPTIONS AND OPERATIONAL ENVIRONMENT .....	7
CLARIFICATIONS ON NON-COVERED THREATS.....	7
OPERATIONAL ENVIRONMENT FUNCTIONALITY .....	7
ARCHITECTURE.....	7
LOGICAL ARCHITECTURE.....	8
PHYSICAL ARCHITECTURE.....	8
Subsystems of the TOE.....	9
DOCUMENTS.....	10
PRODUCT TESTING.....	11
EVALUATED CONFIGURATION .....	12
EVALUATION RESULTS .....	13
COMMENTS & RECOMMENDATIONS FROM THE EVALUATION TEAM.....	14
CERTIFIER RECOMMENDATIONS .....	14
GLOSSARY.....	14
BIBLIOGRAPHY .....	14
SECURITY TARGET .....	15
RECOGNITION AGREEMENTS.....	16
European Recognition of ITSEC/CC – Certificates (SOGIS-MRA).....	16
International Recognition of CC – Certificates (CCRA).....	16

## EXECUTIVE SUMMARY

This document constitutes the Certification Report for the certification file of the product Strong Customer Authentication for Apple Pay, on MacBook Air 2022 with M2 running macOS Ventura 13.3.1.

The TOE is a combination of Hardware and Software components that implement Strong Customer Authentication and Dynamic Linking for Apple Pay on mobile devices.

**Developer/manufacturer:** Apple Inc.

**Sponsor:** Apple Inc.

**Certification Body:** Centro Criptológico Nacional (CCN) del Centro Nacional de Inteligencia (CNI).

**ITSEF:** Applus Laboratories.

**Protection Profile:** None.

**Evaluation Level:** Common Criteria 3.1 R5, EAL2 + ADV\_FSP.3 and ALC\_FLR.3.

**Evaluation end date:** 09/04/2024

**Expiration Date**<sup>1</sup>: 15/05/2029

All the assurance components required by the evaluation level EAL2 (augmented with ADV\_FSP.3 + ALC\_FLR.3) have been assigned a “PASS” verdict. Consequently, the laboratory Applus Laboratories assigns the “PASS” VERDICT to the whole evaluation due all the evaluator actions are satisfied for the EAL2 + ADV\_FSP.3 + ALC\_FLR.3, as defined by the Common Criteria 3.1 R5 and the CEM 3.1 R5.

Considering the obtained evidences during the instruction of the certification request of the product Strong Customer Authentication for Apple Pay, on MacBook Air 2022 with M2 running macOS Ventura 13.3.1, a positive resolution is proposed.

## TOE SUMMARY

The TOE platform includes the components implementing Strong Customer Authentication (SCA) and Dynamic Linking for Apple Pay.

User authentication is managed by the Secure Enclave. The Secure Enclave is a dedicated secure subsystem integrated into Apple systems on chip (SoCs). The Secure Enclave is isolated from the

---

<sup>1</sup> This date refers to the expiration date of the certificate recognition within the scope of the mutual recognition arrangements signed by this Certification Body.

main processor to provide an extra layer of security and is designed to keep sensitive user data secure even when the Application Processor kernel becomes compromised.

macOS also allows the Apple Pay services and other security functions of the TOE to operate.

The Secure Element (outside of the TOE) is the secure component holding the Apple Pay secrets and processes the Apple Pay transactions.

## **SECURITY ASSURANCE REQUIREMENTS**

The product was evaluated with all the evidence required to fulfil the evaluation level EAL2 and the evidences required by the additional component ADV\_FSP.3 + ALC\_FLR.3 to the table, according to Common Criteria v3.1 R5.

ASSURANCE CLASS	ASSURANCE COMPONENT
ASE	ASE_CCL.1
	ASE_ECD.1
	ASE_INT.1
	ASE_OBJ.2
	ASE_REQ.2
	ASE_SPD.1
	ASE_TSS.1
ADV	ADV_ARC.1
	ADV_FSP.3
	ADV_TDS.1
AGD	AGD_OPE.1
	AGD_PRE.1
ALC	ALC_CMC.2
	ALC_CMS.2
	ALC_DEL.1
	ALC_FLR.3
ATE	ATE_COV.1
	ATE_FUN.1
	ATE_IND.2
AVA	AVA_VAN.2

## **SECURITY FUNCTIONAL REQUIREMENTS**

The product security functionality satisfies the following functional requirements, according to the Common Criteria v3.1 R5:

SECURITY FUNCTIONAL REQUIREMENT
FIA_UID.2

FIA_UAU.2
FIA_UAU.5
FIA_AFL.1/Biometric
FIA_AFL.1/Recovery
FIA_AFL.1/Delay
FIA_UAU.6
FDP_DAU.1
FIA_ATD.1
FIA_SOS.2
FDP_ACC.2/Authentication_SFP
FDP_ACF.1/Authentication_SFP
FDP_ITT.1
FDP_ETC.2/Transaction
FDP_ACC.2/Payment_SFP
FDP_ACF.1/Payment_SFP
FDP_ACC.2/Card_Perso_SFP
FDP_ACF.1/Card_Perso_SFP
FDP_ETC.2/Card_Perso_SFP
FPT_ITC.1
FDP_ITC.1
FTP_ITC.1/SE
FDP_UCT.1/SE
FDP_UIT.1/SE
FPT_RPL.1/SE
FTP_ITC.1/Watch
FDP_UCT.1/Watch

FDP_UIT.1/Watch
FPT_RPL.1/Watch
FPR_UNO.1
FDP_RIP.1
FDP_SDI.1
FMT_SMR.1
FMT_SMF.1
FMT_MSA.3
FMT_MSA.1
FMT_MTD.1
FMT_MTD.3

## IDENTIFICATION

**Product:** Strong Customer Authentication for Apple Pay, on MacBook Air 2022 with M2 running macOS Ventura 13.3.1

**Security Target:** Strong Customer Authentication for Apple Pay, on MacBook Air 2022 with M2 running macOS Ventura 13.3.1, Security Target (version: 1.11, November 16, 2023).

**Protection Profile:** None.

**Evaluation Level:** Common Criteria 3.1 R5, EAL2 + ADV\_FSP.3 and ALC\_FLR.3.

## SECURITY POLICIES

The use of the product Strong Customer Authentication for Apple Pay, on MacBook Air 2022 with M2 running macOS Ventura 13.3.1 shall implement a set of security policies assuring the fulfilment of different standards and security demands.

The detail of these policies is documented in the Security Target, section 4.6 (“Organizational Security Policies”).

## **ASSUMPTIONS AND OPERATIONAL ENVIRONMENT**

The following assumptions are constraints to the conditions used to assure the security properties and functionalities compiled by the security target. These assumptions have been applied during the evaluation in order to determine if the identified vulnerabilities can be exploited.

In order to assure the secure use of the TOE, it is necessary to start from these assumptions for its operational environment. If this is not possible and any of them could not be assumed, it would not be possible to assure the secure operation of the TOE.

The detail of these assumptions is documented in the Security Target, section 4.3 (“Assumptions”).

## **CLARIFICATIONS ON NON-COVERED THREATS**

The following threats do not suppose a risk for the product Strong Customer Authentication for Apple Pay, on MacBook Air 2022 with M2 running macOS Ventura 13.3.1, although the agents implementing attacks have the attack potential according to the Basic attack potential level of EAL2 + ADV\_FSP.3 + ALC\_FLR.3 and always fulfilling the usage assumptions and the proper security policies satisfaction.

For any other threat not included in this list, the evaluation results of the product security properties and the associated certificate, do not guarantee any resistance.

The threats covered by the security properties of the TOE are those defined in the Security Target, section 4.5 (“Threats”).

## **OPERATIONAL ENVIRONMENT FUNCTIONALITY**

The product requires the cooperation from its operational environment to fulfil some of the objectives of the defined security problem.

The security objectives declared for the TOE operational environment are those defined in the Protection Profile and they are documented in the Security Target, section 5.2 (“Security Objectives for the environment”).

## **ARCHITECTURE**

The TOE platform includes the components implementing Strong Customer Authentication (SCA) and Dynamic Linking for Apple Pay.

User authentication is managed by the Secure Enclave. The Secure Enclave is a dedicated secure subsystem integrated into Apple systems on chip (SoCs). The Secure Enclave is isolated from the main processor to provide an extra layer of security and is designed to keep sensitive user data secure even when the Application Processor kernel becomes compromised.

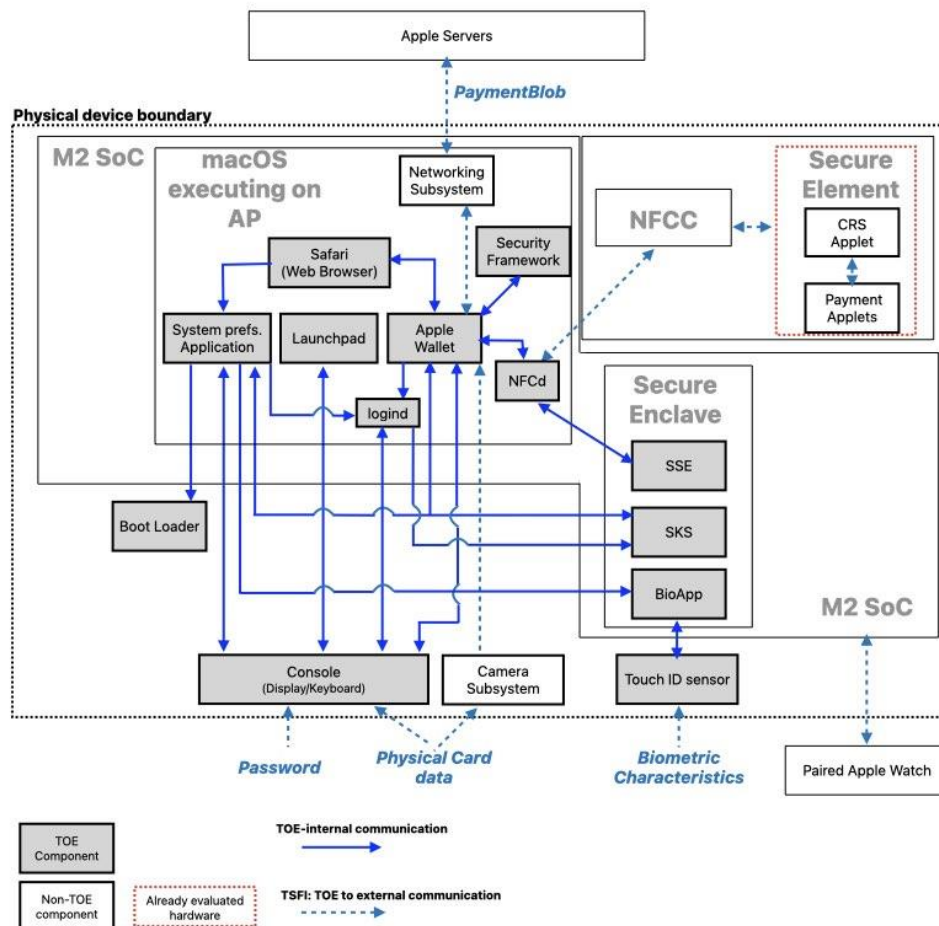
## LOGICAL ARCHITECTURE

TOE security features contains a summary of the logical security features provided by the TOE. The main security features of the TOE are:

- User authentication and management
- Secure channel between the Secure Enclave and the Biometric sensor
- Secure channel between the Secure Enclave and the Secure Element
- Secure channel between the Secure Enclave and the Apple Watch
- Card Data management
- Apple Pay payment transaction processing and management
- Operating System update
- iCloud logout and disk erasure”

## PHYSICAL ARCHITECTURE

The physical architecture is depicted in the following figure





## Subsystems of the TOE

The subsystems of the TOE consist of:

- **Secure Enclave:** The software components of the TOE residing in the Secure Enclave. This subsystem includes several applications executing on the Secure Enclave operating system.
  - BioApp is an application which provides functionality for processing biometric data and generating biometric templates.
  - The SKS (Secure Key Store) is a hardware cryptographic module. The module is embedded in-side the Secure Enclave and packaged within the Application Processor.
  - The SSE (Secure Enclave-Secure Element) manages the pairing between the Secure Enclave and the Secure Element, allowing the Secure Element to process only genuine and authorized Apple Pay transactions. The SSE application maintains sensitive pairing material, allowing Secure Element and Secure Enclave to perform a mutual authentication before exchanging data.
- **Apple Wallet:** The Apple Wallet subsystem is an application executing as part of macOS that handles the enrollment of applications and governs the payment operation.
- **macOS components executing on Application Processor (AP):**
  - logind: The component of macOS that provides the user interface to handle user password authentication
  - Launchpad: The component of macOS that handles I/O with the Console, and thereby provides the functionality for the macOS user interface
  - NFCd: This daemon facilitates the communication between Apple Wallet and the Secure Element
  - Safari browser: Web browser included with the OS. Provides the user interface to conduct payment transactions
  - Security Framework: This is an API provided by the OS to provide cryptographic support that can be used to protect information, establish trust, and control access to software.
  - System Preferences application: This application allows the user to modify various system set-tings.
- **Device components:**
  - Touch ID sensor: This is the hardware component and associated drivers that allow fingerprints data to be captured and passed to BioApp for enrollment and matching

- Boot-loader: This subsystem consists of code that is executed during the boot sequence of the device. The boot-loader is responsible for ensuring that the device boots using software with assured integrity
- Console: Hardware and associated drivers that handles user input via the keyboard, and displays output via the screen. The keyboard and screen hardware are also part of the TOE.

All other macOS components are outside of the TOE, including the Secure Element together with the NFCC hardware, and the XNU macOS kernel. The macOS subsystem components are individual applications.

## DOCUMENTS

The product includes the following documents that shall be distributed and made available together to the users of the evaluated version.

- Strong Customer Authentication for Apple Pay on MacBook Air 2022 with M2 running macOS Ventura 13.3.1: Security Target, version 1.11
- Strong Customer Authentication for Apple Pay on MacBook Air 2022 with M2 running macOS Ventura 13.3.1: Guidance, version 1.6
- Apple Pay Support, <https://support.apple.com/apple-pay>, version 1.0
- Apple Platform Security, <https://support.apple.com/guide/security/welcome/web>, version 1.15
- Check Your Service and Support Coverage (review your Apple warranty status), <https://checkcoverage.apple.com>, version 1.0
- Set up your MacBook Air for new Mac users, <https://support.apple.com/en-us/guide/macbook-air/apd3a3bbed27/2023/mac/13.4>, version 1.0
- Set up your MacBook Air, <https://support.apple.com/guide/macbook-air/set-up-your-mac-apd831707cb3/mac>, version 1.0
- Use Disk Utility to erase a Mac with Apple silicon, <https://support.apple.com/HT212030>, version 1.0
- Identify your MacBook Air model, <https://support.apple.com/HT201862>, version 1.0
- Find out which macOS your Mac is using, <https://support.apple.com/HT201260>, version 1.0
- Apple macOS Software License Agreement for macOS Monterey B. Apple Pay Supplemental Terms and Conditions, <https://www.apple.com/legal/sla/docs/macOSVentura.pdf>, version 1.0

- How to update the software on your Mac, <https://support.apple.com/HT201541>, version 1.0
- Erase all content and settings on Mac, <https://support.apple.com/HT212749>, version 1.0
- Change or reset the password of a macOS user account, <https://support.apple.com/HT202860>, version 1.0
- If you can't reset your Mac login password, <https://support.apple.com/HT212190>, version 1.0
- Reset your Mac login password, <https://support.apple.com/guide/mac-help/mh35902/mac>, version 1.0
- Personal Safety User Guide for Apple devices Set a unique passcode or password on devices, <https://support.apple.com/en-gb/guide/personal-safety/ipsd0a253dd5/1.0/web/1.0>, version 1.0
- Registration form for Apple security-announce mailing list, <https://lists.apple.com/mailman/listinfo/security-announce/>, version 1.0
- Get help with security issues, <https://support.apple.com/HT201221>, version 1.0
- Report a security or privacy vulnerability, <https://support.apple.com/HT201220>, version 1.0
- Apple Security Update, <https://support.apple.com/HT201222>, version 1.0
- Find the model and serial number of your Mac, <https://support.apple.com/en-us/HT201581>, version 1.0
- About System Integrity Protection on your Mac – Apple Support, <https://support.apple.com/HT204899>, version 1.0
- Use Touch ID on your Mac, <https://support.apple.com/guide/mac-help/touch-id-mchl16fbf90a/mac>, version 1.0
- About Touch ID advanced technology, <https://support.apple.com/en-us/HT204587>, version 1.0
- If Touch ID isn't working on your Mac, <https://support.apple.com/HT212225>, version 1.0
- Unlock your Mac with your Apple Watch, <https://support.apple.com/HT206995>, version 1.0

## PRODUCT TESTING

The developer has executed test for all the security functions. All the tests have been performed by the developer in its premises, with a satisfactory result. During the evaluation process it has been verified each unit test checking that the security functionality that covers is been identified and also that the kind of test is appropriate to the function that is intended to test. All the tests have been

executed using the testing scenario appropriate to the established architecture in the security target. It has also been checked that the obtained results during the tests fit or correspond to the previously estimated results. To verify the results of the developer tests, the evaluator has repeated the 78.5% of the developer functional tests.

In addition, the lab has devised a test for each of the security function of the product verifying that the obtained results are consistent with the results obtained by the developer. It has been checked that the obtained results conform to the expected results and in the cases where a deviation in respect to the expected results was present, the evaluator has confirmed that this variation neither represents any security problem nor a decrease in the functional capacity of the product. Through the tests performed by the Laboratory it is concluded that 65.78% of the SFRs and all the TSFIs defined in the Functional Specification has been tested.

## PENETRATION TESTING

Based on the list of potential vulnerabilities applicable to the TOE in its operational environment, the evaluation team has devised attack scenarios for penetration tests. Within these activities all aspects of the security architecture which were not covered by functional testing have been considered. The overall test result is that no deviations were found between the expected and the actual test results. No attack scenario with the attack potential Basic has been successful in the TOE's operational environment as defined in the security target when all security measures required by the developer in the security guidance defined in DOCUMENTS section are applied.

## EVALUATED CONFIGURATION

The TOE consists of a range of hardware and software components as listed below, which are all developed by Apple.

TOE component	Version	Description
<b>Apple Pay App (Wallet)</b>	App part of macOS Ventura 13.3.1	Authentication policy on data and services In-app transaction data management
<b>Application Processor<sup>2</sup> (AP)</b>	M2	Authentication policy on data and services Transaction data management
<b>Biometric Sensor (Touch ID)</b>	Touch ID sensor within the keyboard of the MacBook Air 2022 with M2	Sensor for fingerprint capture
<b>Boot Loader</b>	macOS Ventura 13.3.1	Allows the device to start and boot the operating system

<sup>2</sup> Only the parts of the AP related to the TSF are included within the TOE scope. The GPU of the AP is not relevant to the TSF and is therefore not part of the TOE.

TOE component	Version	Description
<b>Secure Enclave</b> <ul style="list-style-type: none"> <li>• SSE</li> <li>• SKS</li> <li>• BioApp</li> </ul>	sepOS part of macOS Ventura 13.3.1	Authentication Setup: <ul style="list-style-type: none"> <li>• Enrollment of the authentication material</li> <li>• User authentication verification</li> </ul> Authentication Prover: <ul style="list-style-type: none"> <li>• Password verification</li> <li>• Biometrics matching</li> <li>• Authentication policy on data</li> </ul>
		Manages the pairing between the Secure Enclave and the Secure Element
		Hardware Cryptographic module
		Provides functionality for processing biometric data and generating biometric templates.
<b>macOS Platform</b>	Device operating system platform (macOS Ventura 13.3.1) executing on Application Processor (AP) with the following Apple Pay services that are included in the TOE:	
<ul style="list-style-type: none"> <li>• <b>Security Framework</b></li> </ul>	macOS Ventura 13.3.1	Provides functionality to protect information, establish trust, and control access to software.
<ul style="list-style-type: none"> <li>• <b>Logind</b></li> </ul>	macOS Ventura 13.3.1	Provides functionality for managing user logins and sessions
<ul style="list-style-type: none"> <li>• <b>NFCd</b></li> </ul>	macOS Ventura 13.3.1	Provides communication layer between the TOE and the Secure Element
<ul style="list-style-type: none"> <li>• <b>Safari</b></li> </ul>	Version 16.4 (18615.1.26.11.23)	Browser
<ul style="list-style-type: none"> <li>• <b>System Preferences</b></li> </ul>	macOS Ventura 13.3.1	Allows the user to indicate their preferred system preferences for the device, operating system and applications.
<ul style="list-style-type: none"> <li>• <b>Launchpad</b></li> </ul>	macOS Ventura 13.3.1	Provides the functionality for the macOS user interface
<b>Console</b>	Keyboard and display of the MacBook Air 2022 with M2  Device drivers part of macOS Ventura 13.3.1	Provides the functionality for input/output (I/O)

## EVALUATION RESULTS

The product Strong Customer Authentication for Apple Pay, on MacBook Air 2022 with M2 running macOS Ventura 13.3.1 has been evaluated against the Security Target Strong Customer Authentication for Apple Pay, on MacBook Air 2022 with M2 running macOS Ventura 13.3.1, Security Target (version: 1.11, November 16, 2023).

All the assurance components required by the evaluation level EAL2 + ADV\_FSP.3 and ALC\_FLR.3 have been assigned a “PASS” verdict. Consequently, the laboratory Applus Laboratories assigns the “**PASS**” VERDICT to the whole evaluation due all the evaluator actions are satisfied for the evaluation level EAL2 + ADV\_FSP.3 and ALC\_FLR.3, as defined by the Common Criteria v3.1 R5 and the CEM v3.1 R5.

## COMMENTS & RECOMMENDATIONS FROM THE EVALUATION TEAM

Next, recommendations regarding the secure usage of the TOE are provided. These have been collected along the evaluation process and are detailed to be considered when using the product.

- To follow the security guidance's of the TOE strictly.
- To keep the TOE under personal control and set all other security measures available from the environment.

## CERTIFIER RECOMMENDATIONS

Considering the obtained evidences during the instruction of the certification request of the product Strong Customer Authentication for Apple Pay, on MacBook Air 2022 with M2 running macOS Ventura 13.3.1, a positive resolution is proposed.

## GLOSSARY

CCN	Centro Criptológico Nacional
CNI	Centro Nacional de Inteligencia
EAL	Evaluation Assurance Level
ETR	Evaluation Technical Report
OC	Organismo de Certificación
TOE	Target Of Evaluation

## BIBLIOGRAPHY

The following standards and documents have been used for the evaluation of the product:

[CC\_P1] Common Criteria for Information Technology Security Evaluation Part 1: Introduction and general model, Version 3.1, R5 Final, April 2017.

[CC\_P2] Common Criteria for Information Technology Security Evaluation Part 2: Security functional components, Version 3.1, R5 Final, April 2017.

[CC\_P3] Common Criteria for Information Technology Security Evaluation Part 3: Security assurance components, Version 3.1, R5 Final, April 2017.

[CEM] Common Methodology for Information Technology Security Evaluation: Version 3.1, R5 Final, April 2017.

[ST] Strong Customer Authentication for Apple Pay on MacBook Air 2022 with M2 running macOS Ventura 13.3.1: Security Target, version 1.11

## SECURITY TARGET

Along with this certification report, the complete security target of the evaluation is available in the Certification Body:

- Strong Customer Authentication for Apple Pay, on MacBook Air 2022 with M2 running macOS Ventura 13.3.1, Security Target (version: 1.11, November 16, 2023).

## RECOGNITION AGREEMENTS

In order to avoid multiple certification of the same product in different countries a mutual recognition of IT security certificates - as far as such certificates are based on ITSEC or CC - under certain conditions was agreed.

### ***European Recognition of ITSEC/CC – Certificates (SOGIS-MRA)***

The SOGIS-Mutual Recognition Agreement (SOGIS-MRA) Version 3 became effective in April 2010. It defines the recognition of certificates for IT-Products at a basic recognition level and, in addition, at higher recognition levels for IT-Products related to certain SOGIS Technical Domains only.

The basic recognition level includes Common Criteria (CC) Evaluation Assurance Levels EAL 1 to EAL 4 and ITSEC Evaluation Assurance Levels E1 to E3 (basic). For "Smartcards and similar devices" a SOGIS Technical Domain is in place. For "HW Devices with Security Boxes" a SOGIS Technical Domains is in place, too. In addition, certificates issued for Protection Profiles based on Common Criteria are part of the recognition agreement.

The new agreement has been signed by the national bodies of Austria, Finland, France, Germany, Italy, The Netherlands, Norway, Spain, Sweden and the United Kingdom. The current list of signatory nations and approved certification schemes, details on recognition, and the history of the agreement can be seen on the website at <https://www.sogis.eu>.

The SOGIS-MRA logo printed on the certificate indicates that it is recognised under the terms of this agreement by the nations listed above.

The certificate of this TOE is recognized under SOGIS-MRA for all assurance components selected.

### ***International Recognition of CC – Certificates (CCRA)***

The international arrangement on the mutual recognition of certificates based on the CC (Common Criteria Recognition Arrangement, CCRA-2014) has been ratified on 08 September 2014. It covers CC certificates based on collaborative Protection Profiles (cPP) (exact use), CC certificates based on assurance components up to and including EAL 2 or the assurance family Flaw Remediation (ALC\_FLR) and CC certificates for Protection Profiles and for collaborative Protection Profiles (cPP).

The CCRA-2014 replaces the old CCRA signed in May 2000 (CCRA-2000). Certificates based on CCRA-2000, issued before 08 September 2014 are still under recognition according to the rules of CCRA-2000. For on 08 September 2014 ongoing certification procedures and for Assurance Continuity (maintenance and re-certification) of old certificates a transition period on the recognition of certificates according to the rules of CCRA-2000 (i.e., assurance components up to and including EAL 4 or the assurance family Flaw Remediation (ALC\_FLR)) is defined until 08 September 2017.



As of September 2014, the signatories of the new CCRA-2014 are government representatives from the following nations: Australia, Austria, Canada, Czech Republic, Denmark, Finland, France, Germany, Greece, Hungary, India, Israel, Italy, Japan, Malaysia, The Netherlands, New Zealand, Norway, Pakistan, Republic of Korea, Singapore, Spain, Sweden, Turkey, United Kingdom, and the United States.

The current list of signatory nations and approved certification schemes can be seen on the website: <http://www.commoncriteriaportal.org>.

The Common Criteria Recognition Arrangement logo printed on the certificate indicates that this certification is recognised under the terms of this agreement by the nations listed above.

The certificate of this TOE is recognized under CCRA for all assurance components selected.