

National Information Assurance Partnership
Common Criteria Evaluation and Validation Scheme



Validation Report

for

**ATEN Secure KVM Switch Series (models CS118xxx,
CS114xxx)**

Report Number: CCEVS-VR-11046-2020

Dated: May 1, 2020

Version: 1.1

**National Institute of Standards and Technology
Information Technology Laboratory
100 Bureau Drive
Gaithersburg, MD 20899**

**National Security Agency
Information Assurance Directorate
9800 Savage Road STE 6940
Fort George G. Meade, MD 20755-6940**

VALIDATION REPORT
ATEN Secure KVM Switch Series

ACKNOWLEDGEMENTS

Validation Team

John Butterworth
Patrick Mallett, PhD
Paul Bicknell
The MITRE Corporation

Daniel Faigin
The Aerospace Corporation

Common Criteria Testing Laboratory

Leidos
Columbia, MD

VALIDATION REPORT
ATEN Secure KVM Switch Series

Table of Contents

1	Executive Summary	1
2	Identification	4
2.1	Threats.....	4
2.2	Organizational Security Policies.....	4
3	Architectural Information	5
4	Assumptions.....	8
4.1	Clarification of Scope	8
5	Security Policy	9
5.1	Security Audit	9
5.2	User Data Protection	9
5.3	Identification and Authentication	9
5.4	Security Management	10
5.5	Protection of the TSF.....	10
5.6	TOE Access	10
6	Documentation.....	11
7	Independent Testing.....	12
7.1	Evaluation team independent testing	12
7.2	Vulnerability Survey	12
8	Evaluated Configuration	14
9	Results of the Evaluation	15
10	Validator Comments/Recommendations	16
11	Annexes.....	17
12	Security Target.....	18
13	Abbreviations and Acronyms	19
14	Bibliography	21

VALIDATION REPORT
ATEN Secure KVM Switch Series

List of Figures

Figure 1 Simplified block diagram of a 2-Port KVM TOE 6

VALIDATION REPORT
ATEN Secure KVM Switch Series

List of Tables

Table 1: ATEN Secure KVM Switch Series TOE Models.....	2
Table 2: Evaluation Details.....	3
Table 3: TOE Security Assurance Requirements	15
Table 4: Security Target Identification	18

1 Executive Summary

This report is intended to assist the end-user of this product and any security certification agent for that end-user to determine the suitability of this Information Technology (IT) product in their environment. End-users should review the Security Target (ST) [6]¹, (which is where specific security claims are made) as well as this Validation Report (VR) (which describes how those security claims were evaluated, tested, and any restrictions that may be imposed upon the evaluated configuration) to help in that determination. Prospective users should carefully read the Assumptions and Clarification of Scope in section 4 and the Validator Comments in section 10, where any restrictions on the evaluated configuration are highlighted.

This report documents the National Information Assurance Partnership (NIAP) assessment of the evaluation of the ATEN Secure KVM Switch Series (models CS118xxx, CS114xxx) of peripheral sharing switches. It presents the evaluation results, their justifications, and the conformance results. This VR is not an endorsement of the Target of Evaluation (TOE) by any agency of the U.S. Government and no warranty of the TOE is either expressed or implied. This VR applies only to the specific version and configuration of the product as evaluated and as documented in the ST.

The evaluation of the ATEN Secure KVM Switch Series of peripheral sharing switches was performed by Leidos Common Criteria Testing Laboratory (CCTL) in Columbia, Maryland, in the United States and was completed in May 2020. The evaluation was conducted in accordance with the requirements of the Common Criteria and Common Methodology for IT Security Evaluation (CEM), version 3.1, revision 4 [4] and the assurance activities specified in the *Protection Profile for Peripheral Sharing Switch*, Version 3.0 [5]. Leidos performed an analysis of the NIAP Technical Decisions (https://www.niap-ccevs.org/Documents_and_Guidance/view_tds.cfm). Leidos determined Technical Decisions TD0083, TD0086, TD0136, TD0144, TD0251, TD0298, and TD0421 applied to this evaluation. The evaluation was consistent with NIAP Common Criteria Evaluation and Validation Scheme (CCEVS) policies and practices as described on their web site (www.niap-ccevs.org).

The Leidos evaluation team determined that the ATEN Secure KVM Switch Series of peripheral sharing switches is conformant to the claimed Protection Profile (PP) and, when installed, configured and operated as specified in the evaluated guidance documentation, satisfied all of the security functional requirements stated in the ST. The information in this VR is largely derived from the publicly available Assurance Activities Report (AAR) [7] and the associated proprietary test report [8] produced by the Leidos evaluation team.

Each device in the ATEN Secure KVM Switch series is a peripheral sharing switch that allows for securely sharing one set of peripherals between multiple computers. A user may connect a mouse, keyboard, user authentication device (for example, CAC reader), speaker, and one or two video displays to a Secure KVM Switch. The user may switch the set of peripherals between

¹ See section 14 Bibliography.

VALIDATION REPORT
 ATEN Secure KVM Switch Series

connected computers. The maximum number of connected computers is two, four, or eight depending on model. The user can switch the peripherals between any of the connected computers while preventing unauthorized data flows or leakage between computers.

The TOE is the following models of the ATEN Secure KVM Switch Series. The firmware version for all models is v1.1.101

Table 1: ATEN Secure KVM Switch Series TOE Models

Configuration		2-Port	4-Port	8-Port
DisplayPort	Single Head	CS1182DP	CS1184DP	CS1188DP
	Dual Head	CS1142DP	CS1144DP	CS1148DP
HDMI	Single Head	CS1182H	CS1184H	CS1188H
	Dual Head	CS1142H	CS1144H	CS1148H
DVI	Single Head	CS1182D	CS1184D	CS1188D
	Dual Head	CS1142D	CS1144D	CS1148D

In Table 1, DisplayPort and HDMI configurations support HDMI monitor peripherals. DVI configurations support DVI monitors. All TOE devices support both USB and PS/2 keyboards and mice.

The validation team monitored the activities of the evaluation team, examined evaluation evidence, provided guidance on technical issues and evaluation processes, and reviewed the evaluation results produced by the evaluation team. The validation team found that the evaluation results showed that all assurance activities specified in the claimed PP had been completed successfully and that the product satisfied all of the security functional and assurance requirements as stated in the ST.

Therefore, the validation team concludes that the testing laboratory’s findings are accurate, the conclusions justified, and the conformance results are correct. The conclusions of the testing laboratory in the evaluation technical report are consistent with the evidence produced.

The products, when configured as specified in the guidance documentation, satisfy all of the security functional requirements stated in the ATEN Secure KVM Switch Security Target.

Item	Identifier
Evaluated Product	ATEN Secure KVM Switches Series devices identified in Table 1

VALIDATION REPORT
 ATEN Secure KVM Switch Series

Item	Identifier
Sponsor & Developer	ATEN 3F, No. 125, Section 2, Datung Road, Sijhih District, New Taipei City, 221 Taiwan
CCTL	Leidos Common Criteria Testing Laboratory 6841 Benjamin Franklin Drive Columbia, MD 21046
Completion Date	May 1, 2020
CC	Common Criteria for Information Technology Security Evaluation, Version 3.1, Revision 4, September 2012
Interpretations	There were no applicable interpretations used for this evaluation.
CEM	Common Methodology for Information Technology Security Evaluation: Version 3.1, Revision 4, September 2012
PP	Protection Profile for Peripheral Sharing Switch, Version 3.0
Disclaimer	The information contained in this Validation Report is not an endorsement of the ATEN Secure KVM Switch Series by any agency of the U.S. Government and no warranty of the ATEN Secure KVM Switch Series is either expressed or implied.
Evaluation Personnel	Gregory Beaver Justin Fisher Allen Sant Furukh Siddique Kevin Steiner
Validation Personnel	John Butterworth, Lead Validator Patrick Mallett, ECR Team, Paul Bicknell, Senior Validator Daniel Faigin, Senior Validator

Table 2: Evaluation Details

VALIDATION REPORT
ATEN Secure KVM Switch Series

2 Identification

The CCEVS is a joint National Security Agency (NSA) and National Institute of Standards and Technology (NIST) effort to establish commercial facilities to perform trusted product evaluations. Under this program, security evaluations are conducted by commercial testing laboratories called Common Criteria Testing Laboratories (CCTLs) in accordance with National Voluntary Laboratory Assessment Program (NVLAP) accreditation.

The NIAP Validation Body assigns validators to monitor the CCTLs to ensure quality and consistency across evaluations. Developers of information technology products desiring a security evaluation contract with a CCTL and pay a fee for their product's evaluation. Upon successful completion of the evaluation, the product is added to NIAP's Product Compliant List (PCL) (<https://www.niap-ccevs.org/Product/>).

The following table identifies the evaluated Security Target and TOE.

Name	Description
ST Title	ATEN Secure KVM Switch Series Security Target (models CS118xxx, CS114xxx)
ST Version	v1.0
Publication Date	March 6, 2020
Vendor and ST Author	ATEN International Co., Ltd
TOE Reference	ATEN Secure KVM Switch Series identified in Table 1
TOE Software Version	Firmware version v1.1.101
Keywords	KVM Switch, Peripheral Sharing Switch

2.1 Threats

The Threats addressed by the TOE are those contained in the *Protection Profile for Peripheral Sharing Switch* [5].

2.2 Organizational Security Policies

There are no Organizational Security Policies for the *Protection Profile for Peripheral Sharing Switch* [5].

3 Architectural Information

The ATEN Secure KVM Switch series are keyboard, video, mouse (KVM) switches with the following characteristics:

- 2/4/8 port USB HDMI single and dual display for DisplayPort (6 devices)
- 2/4/8 port USB HDMI single and dual display for HDMI (6 devices)
- 2/4/8 port USB DVI single and dual display for DVI (6 devices).

ATEN Secure KVM Switch series devices allow for the connection of a mouse, keyboard, user authentication device such as smart card or CAC reader (optional), speaker (optional), and one or two video displays (depending on specific model) to the Secure KVM Switch console ports. The Secure KVM Switch computer ports are then connected to up to 2, 4, or 8 separate computers (depending on specific model). The user can then switch the peripherals that are connected to the console ports between any of computers connected to the computer ports using a push button on the front of the device. The selected computer is always identifiable by a bright orange LED associated with the applicable selection button.

The Secure KVM Switch products support analog audio output and USB connections for the keyboard, mouse, and user authentication device for the computer ports. Depending on model, they support DisplayPort, DVI-I, or HDMI for the computer video display interface. The switched peripherals on the console side are analog audio output, USB or PS/2 keyboard and mouse, USB user authentication device, and HDMI or DVI-I video output (depending on model). Separate USB cables are used to connect the keyboard/mouse combination and the user authentication device to the connected computers. Models that support DisplayPort video on the computer side convert the DisplayPort video signal to HDMI for output to the connected display(s) on the console port(s). ATEN Secure KVM Switch series devices also support audio output connections from the computers to a connected audio output device. Only speaker connections are supported and the use of an analog microphone or line-in audio device is prohibited.

ATEN Secure KVM Switch series devices implement a secure isolation design for all 2/4/8-Port and DVI/HDMI/DisplayPort models to share a single set of peripheral components. Each peripheral has its own dedicated data path. USB keyboard and mouse peripherals are filtered and emulated. The USB authentication device connection is on a separate circuit from the keyboard and mouse and, after filtering for qualification, has a direct connection path to the selected computer. The TOE does not emulate the user authentication device function. DisplayPort video from the selected computer is converted to HDMI for communication with the connected video display and the AUX channel is monitored and converted to video.

ATEN Secure KVM Switch series devices are designed to enforce the allowed and disallowed data flows between user peripheral devices and connected computers as specified in [5]. Data leakage is prevented across the TOE to avoid compromise of the user's information. Modern KVM security approaches address the risk of TOE local user data leakage through remote attacks to coupled networks in addition to protecting user information passing through the TOE. ATEN

VALIDATION REPORT
ATEN Secure KVM Switch Series

Secure KVM Switch series devices automatically clear the internal TOE keyboard and mouse buffers.

The following figure shows the data path design using a 2-Port KVM as an example.

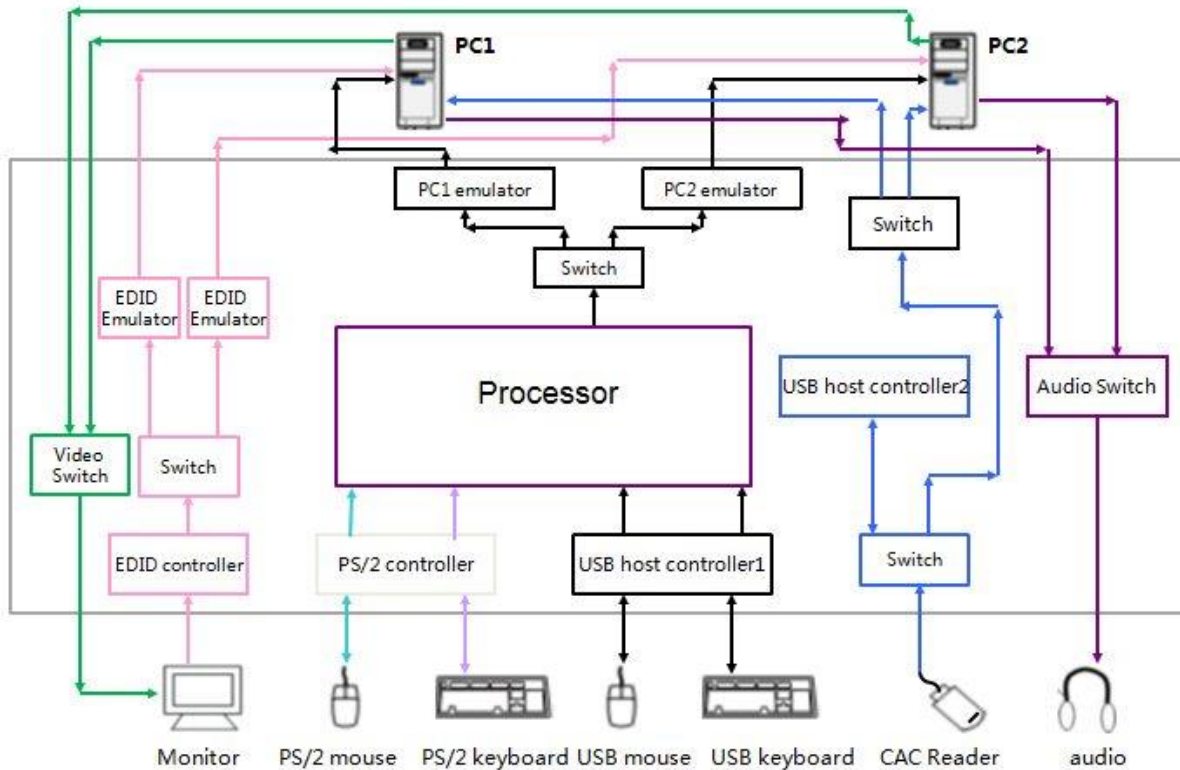


Figure 1 Simplified block diagram of a 2-Port KVM TOE

The data flow of USB and PS/2 keyboard/mouse is controlled by two types of host controller for console human interface device (HID) keyboard and pointing devices: USB host controller and PS/2 host controller. Details of the data flow architecture are provided in the proprietary ATEN Secure KVM Switch Isolation Document. All keyboard and mouse connections are filtered first, and only authorized devices will be allowed. The TOE emulates data from authorized USB or PS/2 keyboard and mouse to USB data for computer sources.

The TOEs proprietary design ensures there is no possibility of data leakage from a user's peripheral output device to the input device; ensures that no unauthorized data flows from the monitor to a connected computer; and unidirectional buffers ensure that the audio data can travel only from the selected computer to the audio device. There is no possibility of data leakage between computers or from a peripheral device connected to a console port to a non-selected computer. Each connected computer has its own independent Device Controller, power circuit, and EEPROM. Additionally, keyboard and mouse are always switched together.

VALIDATION REPORT

ATEN Secure KVM Switch Series

All ATEN Secure KVM Switch series devices feature hardware security mechanisms including tamper-evident labels, always active chassis-intrusion detection, and tamper-proof hardware construction. Software security includes restricted USB connectivity (non-HID are ignored when switching), an isolated channel per port that makes it impossible for data to be communicated between computers, and automatic clearing of the keyboard and mouse buffer.

ATEN Secure KVM Switch series devices are compatible with standard personal/portable computers, servers or thin-clients.

4 Assumptions

The Assumptions that exist for the TOE are those contained in the *Protection Profile for Peripheral Sharing Switch* [5].

4.1 Clarification of Scope

All evaluations (and all products) have limitations, as well as potential misconceptions that need clarification. This text covers some of the more important limitations and clarifications of this evaluation. Note that:

1. As with any evaluation, this evaluation only shows that the evaluated configuration meets the security claims made, with a certain level of assurance (the assurance activities specified in the claimed PPs and performed by the evaluation team).
2. This evaluation covers only the specific hardware products, and firmware versions identified in this document, and not any earlier or later versions released or in process.
3. The evaluation of security functionality of the product was limited to the functionality specified in the claimed PPs. Any additional security related functional capabilities of the product were not covered by this evaluation. Any additional non-security related functional capabilities of the product, even those described in the ST, were not covered by this evaluation.
4. This evaluation did not specifically search for, nor attempt to exploit, vulnerabilities that were not “obvious” or vulnerabilities to objectives not claimed in the ST. The CEM [4] defines an “obvious” vulnerability as one that is easily exploited with a minimum of understanding of the TOE, technical sophistication and resources.

5 Security Policy

ATEN Secure KVM Switch series devices enforce the following TOE security functional policies as specified in the ST.

5.1 Security Audit

The TOE generates audit records for the authorized administrator actions. Each audit record records a standard set of information such as date and time of the event, type of event, and the outcome (success or failure) of the event.

5.2 User Data Protection

The TOE controls and isolates information flowing between the peripheral device interfaces and a computer interface. The peripheral devices supported include:

- USB keyboard,
- USB mouse,
- PS/2 keyboard,
- PS/2 mouse,
- USB authentication device (CAC reader or smart card reader),
- Audio output, and
- DVI or HDMI video (depending on device type).

Some TOE models accept DisplayPort signals at the computer interface and convert the signals to HDMI signals at the console interface.

The TOE only supports USB keyboard/mouse at the computer interface.

The TOE authorizes peripheral device connections with the TOE console ports based on the peripheral device type.

The TOE ensures that any previous information content of a resource is made unavailable upon the deallocation of the resource from a TOE computer interface immediately after the TOE switch to another selected computer and on start-up of the TOE.

The TOE provides a Reset to Factory Default function allowing authenticated authorized Administrators to remove all settings previously configured by the Administrator (such as USB device whitelist/blacklist). Once the Reset to Factory Default function has been completed, the Secure KVM will terminate the Administrator Logon mode, purge keyboard/mouse buffer, and power cycle the Secure KVM automatically.

5.3 Identification and Authentication

The TOE provides an identification and authentication function for the administrative user to perform administrative functions such as configuring the user authentication device filtering

whitelist and blacklist (configurable device filtration). The authorized administrator must logon by providing a valid password.

5.4 Security Management

The TOE supports configurable device filtration (CDF). This function is restricted to the authorized administrator and allows the TOE to be configured to accept or reject specific USB devices using CDF whitelist and blacklist parameters. Additionally, the TOE provides security management functions to reset to factory default and to change the administrator password.

5.5 Protection of the TSF

The TOE runs a suite of self-tests during initial startup and after activating the reset button. The suite includes:

- Test of the basic TOE hardware and firmware integrity,
- Test of the basic computer-to-computer isolation, and
- Test of critical security functions (i.e., user control and anti-tampering).

The TOE provides users with the capability to verify the integrity of the TSF and the TSF functionality.

The TOE resists physical attacks on the TOE enclosure for the purpose of gaining access to the internal components or to damage the anti-tampering battery by becoming permanently disabled when tampering is detected. The TOE preserves a secure state by disabling the TOE when there is a failure of the power on self-test or a failure of the anti-tampering function.

The TOE provides unambiguous detection of physical tampering that might compromise the TSF. The TSF provides the capability to determine whether physical tampering with the TSF's devices or TSF's elements has occurred.

5.6 TOE Access

The TOE displays a continuous visual indication of the computer to which the user is currently connected, including on power up, and on reset.

6 Documentation

The guidance documentation examined during the course of the evaluation and delivered with the TOE is as follows:

- *ATEN 2/4/8-Port USB DVI/HDMI/DisplayPort Single/Dual Display Secure KVM Switch Administrator Guide, Version 1.06, 06 March 2020*
- *ATEN 2/4/8-Port USB DVI/HDMI/DisplayPort Single/Dual Display Secure KVM Switch Port Authentication Utility Guide, Version 1.05, 06 March 2020*
- *ATEN 2/4/8-Port USB DVI/HDMI/DisplayPort Single/Dual Display Secure KVM Switch User Manual, Version 1.05, 06 March 2020*
- *ATEN 2/4/8-Port USB DVI/HDMI/DisplayPort Single/Dual Display Secure KVM Switch Admin Log Audit Code, Version 1.04, 06 March 2020 (ATEN Proprietary)*
 - **Note:** The Administrator's Guide, Port Authentication Utility Guide, and Admin Log Audit Code documents are provided only to registered customers.

The above documents are considered to be part of the evaluated TOE. The documentation is available by download from <https://eservice.aten.com/eServiceCx/Common/productRegister.do>.

Any additional customer documentation delivered with the TOE or made available through electronic downloads should not be relied upon for using the TOE in its evaluated configuration.

7 Independent Testing

7.1 Evaluation team independent testing

This section describes the testing efforts of the evaluation team. It is derived from information contained in the following proprietary document:

- *ATEN Secure KVM Switch Series Common Criteria Test Report and Procedures*, Version 1.1, April 24, 2020 [8]

A non-proprietary summary of the test configuration, test tools, and tests performed may be found in:

- *Assurance Activities Report For ATEN Secure KVM Switch Series*, Version 1.1, April 24, 2020 [7]

The purpose of the testing activity was to confirm the TOE behaves in accordance with the TOE security functional requirements as specified in the ST for a product claiming conformance to *Protection Profile for Peripheral Sharing Switch* [5].

The evaluation team devised a Test Plan based on the Testing Assurance Activities specified in *Protection Profile for Peripheral Sharing Switch* [5]. The Test Plan described how each test activity was to be instantiated within the TOE test environment. The evaluation team executed the tests specified in the Test Plan and documented the results in the team test report listed above.

Independent testing took place at the Leidos facility in Columbia, Maryland from January 6, 2020 to February 28, 2020.

The evaluators received the TOE in the form that normal customers would receive it, installed and configured the TOE in accordance with the provided guidance, and exercised the Team Test Plan on equipment configured in the testing laboratory.

Given the complete set of test results from the test procedures exercised by the evaluators, the testing requirements for *Protection Profile for Peripheral Sharing Switch* [5] were fulfilled.

7.2 Vulnerability Survey

Searches of public domain sources for potential vulnerabilities in the TOE were conducted periodically throughout the evaluation. An initial search was conducted on November 21, 2019, and a second search was conducted on March 3, 2020. The results of these searches are documented in [VA].

The product vendor does not publish vulnerability information on its web site, so the vulnerability search was limited to Google search and the National Vulnerability Database. A Google search of the product did not identify any vulnerabilities specific to the TOE (results were found for ATEN IP-based KVM switches but the TOE does not include any such model).

VALIDATION REPORT
ATEN Secure KVM Switch Series

Vulnerability searches were performed using the terms listed below for the rationale listed below:

Search Term	Search Type	Rationale
aten	Advanced: Vendor	TOE vendor
belkin	Advanced: Vendor	Comparable vendor
black box	Advanced: Vendor	Comparable vendor
blackbox	Advanced: Vendor	Comparable vendor
iogear	Advanced: Vendor	TOE vendor (OEM)
ipgard	Advanced: Vendor	Comparable vendor
kvm	Basic: Keyword	General type
kvm switch	Basic: Keyword	TOE type
peripheral switch	Basic: Keyword	TOE type
raritan	Advanced: Vendor	TOE vendor (OEM)
smartavi	Advanced: Vendor	Comparable vendor
tripplite	Advanced: Vendor	Comparable vendor

While some results were returned, no results applied to the specific TOE models or to the technology used by the TOE (for example, “kvm” returns results for the Linux Kernel-based Virtual Machine technology which is not applicable to the TOE).

In the absence of public vulnerabilities, the evaluation team determined that the test assurance activities prescribed by the claimed PP, specifically related to unintended switching, connectivity of unauthorized peripherals, attempts to reverse audio signal, and attempts to breach the physical boundary of the TOE demonstrate sufficient resilience of the TOE to an attacker of Basic attack potential.

8 Evaluated Configuration

The evaluated version of the TOE consists of the ATEN Secure KVM Switch series devices identified in Table 1.

The TOE must be deployed as described in section 4 Assumptions of this document and be configured in accordance with the documentation identified in Section 6.

9 Results of the Evaluation

The evaluation was conducted based upon the assurance activities specified in *Protection Profile for Peripheral Sharing Switch* [5] in conjunction with version 3.1 revision 4 of the CC and the CEM ([1], [2], [3], and [4]). A verdict for an assurance component is determined by the resulting verdicts assigned to the corresponding evaluator action elements.

The validation team's assessment of the evidence provided by the evaluation team is that the evidence demonstrates the evaluation team performed the assurance activities in the claimed PPs, and correctly verified that the product meets the claims in the ST.

The details of the evaluation are recorded in the Evaluation Technical Report (ETR) [9], which is controlled by the Leidos CCTL. The security assurance requirements are listed in the following table.

Table 3: TOE Security Assurance Requirements

Assurance Component ID	Assurance Component Name
ADV_FSP.1	Basic function specification
AGD_OPE.1	Operational user guidance
AGD_PRE.1	Preparative procedures
ALC_CMC.1	Labeling of the TOE
ALC_CMS.1	TOE CM coverage
ATE_IND.1	Independent testing – conformance
AVA_VAN.1	Vulnerability survey

VALIDATION REPORT
ATEN Secure KVM Switch Series

10 Validator Comments/Recommendations

The validation team notes that the evaluated configuration is dependent upon the TOE being configured per the evaluated configuration instructions in the documents listed in Section 6. No versions of the TOE and software, either earlier or later were evaluated.

Please note that the functionality evaluated is scoped exclusively to the security functional requirements specified in the Security Target. Other functionality included in the product was not assessed as part of this evaluation.

11 Annexes

Not applicable.

VALIDATION REPORT
ATEN Secure KVM Switch Series

12 Security Target

Table 4: Security Target Identification

Name	Description
ST Title	ATEN Secure KVM Switch Series Security Target (models CS118xxx, CS114xxx)
ST Version	v1.0
Publication Date	March 6, 2020

13 Abbreviations and Acronyms

AAR	Assurance Activity Report
AUX	Auxiliary (Channel)
CAC	Common Access Card
CC	Common Criteria
CCEVS	Common Criteria Evaluation and Validation Scheme
CCTL	Common Criteria Test Lab
CDF	Configurable Device Filtration
CEM	Common Evaluation Methodology
DP	DisplayPort
DVI	Digital Visual Interface
EEPROM	Electrically Erasable Programmable Read-Only Memory
ETR	Evaluation Technical Report
HDMI	High Definition Multimedia Interface
HID	Human Interface Device
IT	Information Technology
KVM	Keyboard, Video and Mouse
LED	Light-Emitting Diode
NIAP	National Information Assurance Partnership
NIST	National Institute of Standards and Technology
NSA	National Security Agency
NVLAP	National Voluntary Laboratory Assessment Program
PC	Personal Computer
PCL	Product Compliant List
PP	Protection Profile
PSS	Peripheral Sharing Switch
ST	Security Target
TOE	Target of Evaluation
TSF	TOE Security Functions
USB	Universal Serial Bus

VALIDATION REPORT
ATEN Secure KVM Switch Series

VR Validation Report

14 Bibliography

The Validation Team used the following documents to produce this Validation Report:

- [1] *Common Criteria for Information Technology Security Evaluation Part 1: Introduction*, Version 3.1, Revision 4, September 2012.
- [2] *Common Criteria for Information Technology Security Evaluation Part 2: Security Functional Requirements*, Version 3.1 Revision 4, September 2012.
- [3] *Common Criteria for Information Technology Security Evaluation Part 3: Security Assurance Components*, Version 3.1 Revision 4, September 2012.
- [4] *Common Methodology for Information Technology Security Evaluation, Evaluation Methodology*, Version 3.1, Revision 4, September 2012.
- [5] *Protection Profile for Peripheral Sharing Switch (PSS)*, Version 3.0, 13 February 2015
- [6] *ATEN Secure KVM Switch Series (models CS118xxx, CS114xxx) Security Target*, version 1.0, March 6, 2020
- [7] *Assurance Activities Report for ATEN Secure KVM Switch Series*, Version 1.0, April 24, 2020
- [8] *ATEN Secure KVM Switch Series Common Criteria Test Report and Procedures*, Version 1.1, April 24, 2020
- [9] *Evaluation Technical Report for ATEN Secure KVM Switch*, Version 1.0, April 24, 2020