



Public

Infineon Technologies AG

Chipcard and Security ICs

Evaluation Documentation

Security Target

No.	Product	M-No.	Dresden
1.	SLE66CLX1600PEM	M1590	A12
2.	SLE66CLX1600PE	M1596	A12
3.	SLE66CLX1600PES	M1597	A12
4.	SLE66CX1600PE*	M1598	A12
5.	SLE66CLX1440PEM	M2090	A12
6.	SLE66CLX1440PE	M2091	A12
7.	SLE66CLX1440PES	M2092	A12
8.	SLE66CX1440PE*	M2093	A12
9.	SLE66CLX1280PEM	M2094	A12
10.	SLE66CLX1280PE	M2095	A12
11.	SLE66CLX1280PES	M2096	A12
12.	SLE66CX1280PE*	M2097	A12

*Contact based interface only

All with optional libraries

RSA V1.6 and EC V1.1 and SHA-2 V1.0

Version 1.4

Date 2010-07-12

Author Steffen Heinkel

Filename: SecurityTarget_SLE66CLX1600PEx_Derivatives_a12.doc

REVISION HISTORY

Version	Subject
1.0	2009-06-23: Initial Version
1.1	2009-07-02: editorial change
1.2	2009-11-30: editorial change
1.3	2010-07-07: added trademark reference
1.4	2010-07-12: minor reference fixes

TABLE OF CONTENTS

1	INTRODUCTION.....	4
1.1	SECURITY TARGET IDENTIFICATION.....	4
1.2	SECURITY TARGET OVERVIEW.....	4
1.2.1	<i>Product Identification</i>	5
1.3	CC CONFORMANCE.....	7
2	DESCRIPTION OF THE TARGET OF EVALUATION (TOE).....	8
2.1	PRODUCT TYPE.....	8
2.2	SCOPE OF THE TOE.....	12
2.2.1	<i>Hardware of the TOE</i>	12
2.2.2	<i>Firmware and software of the TOE</i>	13
2.2.3	<i>Guidance documentation</i>	15
2.2.4	<i>Forms of delivery</i>	16
2.2.5	<i>Production sites</i>	16
3	TOE SECURITY ENVIRONMENT.....	17
3.1	DEFINITION OF ASSETS.....	17
3.2	ASSUMPTIONS.....	17
3.3	THREATS.....	18
3.4	ORGANISATIONAL SECURITY POLICIES.....	19
3.4.1	<i>Augmented organisational security policy</i>	19
4	SECURITY OBJECTIVES.....	20
4.1	SECURITY OBJECTIVES FOR THE TOE.....	20
4.2	SECURITY OBJECTIVES FOR THE ENVIRONMENT.....	21
4.2.1	<i>Clarification of "Usage of Hardware Platform (OE.Platt-App)"</i>	21
4.2.2	<i>Clarification of "Treatment of User Data (OE.Resp-App)"</i>	21
5	IT SECURITY REQUIREMENTS.....	23
5.1	TOE SECURITY REQUIREMENTS.....	23
5.1.1	<i>TOE security functional requirements</i>	24
5.1.2	<i>TOE security assurance requirements</i>	33
5.1.3	<i>Refinements</i>	34
5.2	SECURITY REQUIREMENTS FOR THE ENVIRONMENT.....	35
5.2.1	<i>Security requirements for the IT Environment</i>	35
5.2.2	<i>Security Requirements for the Non-IT-Environment</i>	43
6	TOE SUMMARY SPECIFICATION.....	44
6.1	SEF1: OPERATING STATE CHECKING.....	44
6.2	SEF2: PHASE MANAGEMENT WITH TEST MODE LOCK-OUT.....	45

6.3	SEF3: PROTECTION AGAINST SNOOPING	45
6.4	SEF4: DATA ENCRYPTION AND DATA DISGUIISING	45
6.5	SEF5: RANDOM NUMBER GENERATION	46
6.6	SEF6: TSF SELF TEST	46
6.7	SEF7: NOTIFICATION OF PHYSICAL ATTACK.....	46
6.8	SEF8: MEMORY MANAGEMENT UNIT (MMU).....	46
6.9	SEF9: CRYPTOGRAPHIC SUPPORT	47
6.10	MAPPING OF SECURITY FUNCTIONAL REQUIREMENTS.....	48
6.11	ASSURANCE MEASURES	50
7	PP CLAIMS.....	51
7.1	PP REFERENCE	51
7.2	PP TAILORING	51
7.2.1	<i>FCS_RND</i>	51
7.3	PP ADDITIONS.....	51
8	RATIONAL.....	52
8.1	SECURITY OBJECTIVES RATIONALE.....	52
8.2	SECURITY REQUIREMENTS RATIONALE.....	53
8.2.1	<i>Rationale for the security functional requirements</i>	53
8.2.2	<i>Dependencies of security functional requirements</i>	57
8.2.3	<i>Rationale for the Assurance Requirements and the Strength of Function Level</i>	59
8.3	SECURITY REQUIREMENTS ARE MUTUALLY SUPPORTIVE AND INTERNALLY CONSISTENT.....	59
9	REFERENCES.....	61
9.1	DOCUMENTS AND USER GUIDANCE	61
9.2	LITERATURE	61
9.3	LIST OF ABBREVIATIONS.....	61
9.4	GLOSSARY	63
10	DEFINITION OF THE SECURITY FUNCTIONAL COMPONENT FPT_TST.2	65

1 Introduction

1.1 Security Target Identification

The Security Target has the revision 1.4 and is dated 2010-07-12.

The Security Target is based on the Protection Profile “Smartcard IC Platform Protection Profile”.

The Protection Profile is built with Common Criteria V2.1, and the Security Target is built with Common Criteria V2.3. The ST takes into account all relevant current final interpretations and applicable changes from V2.1 to V2.3.

Table 1: CC Identification

	Version number	Date	Registration
Smartcard IC Platform Protection Profile	1.0	July 2001	BSI-PP-0002
Common Criteria for Information Technology Security Evaluation Part 1: Introduction and general model, Part 2: Security functional requirements, Part 3: Security Assurance Requirements,	2.3	August 2005	CCMB-2005-08-001 CCMB-2005-08-002 CCMB-2005-08-003

1.2 Security Target Overview

The Target of Evaluation (TOE) comprises the following products:

Table 2: Products of the TOE

No.	Product	M-No.	Dresden	Chip Type
1.	SLE66CLX1600PEM	M1590	A12	BBh
2.	SLE66CLX1600PE	M1596	A12	BCh
3.	SLE66CLX1600PES	M1597	A12	50h
4.	SLE66CX1600PE*	M1598	A12	59h
5.	SLE66CLX1440PEM	M2090	A12	55h
6.	SLE66CLX1440PE	M2091	A12	54h
7.	SLE66CLX1440PES	M2092	A12	56h
8.	SLE66CX1440PE*	M2093	A12	58h
9.	SLE66CLX1280PEM	M2094	A12	52h
10.	SLE66CLX1280PE	M2095	A12	51h
11.	SLE66CLX1280PES	M2096	A12	53h
12.	SLE66CX1280PE*	M2097	A12	57h
*Contact based interface only				

All products have been developed in unified channel programming (UCP) technology. UCP stands for an improved way of programming the EEPROM. Using UCP technology provides major benefits:

- Much faster block wise programming of the flash EEPROM
- The use of much less chip area

- The ability to integrate much larger memory sizes.

The TOE in question and its contact-based PE-family forerunners are based on the highly secure platform of the SLE66CX322P and have seen – apart from the optimization of the EEPROM – a high number of improvements concerning functionality, stability and security. But also the basis platform SLE66CX322P has successfully achieved the EAL5 augmented certificate by the BSI internal process **BSI-DSZ-CC-0266-2005**.

The architecture and concept of the TOE in question is a further step ahead of the contact based derivatives of the PE-family. This TOE is an enhanced port of the well established, proven and successfully EAL5+ certified contact-based products SLE66CX680PE / m1534-a13 and of the SLE66CX360PE / m1536-a13. Nevertheless also these forerunner products have been successfully certified in the BSI internal process 0322 and 0437 in the new design versions e13 and a14. Note that the security concept remains the same throughout the entire PE-family, regardless whether the TOE consists of contactless or contact based products.

There are a number of contactless forerunner products and all have been certified successfully in their various design versions. These processes were 0399, 0430, 482 and 0523.

Compared to the successfully certified forerunner process **BSI-DSZ-CC-0523-2008** this TOE comprises the same hardware design as no changes have been introduced. This recertification process is:

- | |
|--|
| 1. for introduction of a new RSA library version |
| 2. for introduction of the optional SHA-2 software library for computing hash values |

Moreover, this TOE and the coming derivatives of the PE-family with the RF-interface have been improved again in terms of functionality, stability and security, compared to the contact based forerunners. With these improvements this TOE is even more prepared to master the security challenges of the future.

The TOE comprises smart card ICs (Security Controllers) meeting the highest requirements in terms of performance and security. They are manufactured by Infineon Technologies AG in a 0.22 µm CMOS technology. This TOE is intended to be used in smart cards for particularly security-relevant applications.

In order to simplify the readability of this and further documents the nomination of TOE includes all products as listed in Table 2: Products of the TOE.

In addition to the optional RSA and EC cryptographic libraries, the TOE of this process comes with the option to be delivered with the SHA-2 library, a software algorithm for computing hash values.

1.2.1 Product Identification

All products of this TOE are identical from hardware perspective and produced with the same masks at one production site with the exception of the first metal mask (called M1 mask) which contains the derivative specific information (e. g. development code, design step, memory size).

All products are produced at one production site.

Each derivative can be clearly identified by functional means of the different chip idents, which are listed in Table 2: Products of the TOE.

The derivatives of this TOE differ in the memory sizes available to the user and in the various interface options. The EEPROM and ROM implementation comprises the equal hardware module throughout all derivatives of this TOE which then is blocked to the different memory sizes available to the user. Also the diversification of the various interface options is realized by means of blocking only. Therefore, the implemented interface components are equal throughout all derivatives of this TOE.

The TOE consists of the hardware part as described in chapter 2.2.1, the firmware parts and the software parts as listed in Table 3: Firmware and Library Versions. The RSA, EC, SHA-2 cryptographic and the RMS libraries provide functionality via an API to the Smartcard Embedded Software. The STS firmware for test purposes has an API to the Smartcard Embedded Software as well. The STS is implemented in a separated Test-ROM being part of the TOE. The Smartcard Embedded Software is not part of the TOE.

The user has the possibility to tailor the software part of the TOE during the manufacturing process. Thus the TOE can be delivered including - in free combinations - or not including any of the functionality of the EC crypto library, the RSA crypto library and the SHA-2 crypto library.

If the user decides not to use one or all of the crypto library(s) the specific library(s) is (are) not delivered to the user and the accompanying “Additional Specific Security Functionality (O.Add-Functions)” Rivest-Shamir-Adleman (RSA) and/ or EC and/or SHA-2 is/are not provided by the TOE.

Deselecting one of the libraries does not include the code implementing functionality, which the user decided not to use. Not including the code of the deselected functionality has no impact of any other security policy of the TOE; it is exactly equivalent to the situation where the user decides just not to use the functionality.

The RSA, EC and SHA-2 libraries can be implemented together with the Smartcard Embedded Software in the User-ROM mask. All other Smartcard Embedded Software does not belong to the TOE and is not subject of the evaluation.

The following libraries are implemented together with the Smartcard Embedded Software in the User-ROM mask. All other Smartcard Embedded Software does not belong to the TOE and is not subject of the evaluation.

Table 3: Firmware and Library Versions

Type	Name	Version
Firmware	RMS library	RMS_E V07
	STS	V57.09.08
libraries	RSA	V1.6
	EC	V1.1
	SHA-2	V1.0

The main security features implemented in the TOE are:

- A SAB 8051 compatible instruction set and some additional powerful instructions needed for smart card applications
- Data encryption according to RSA standard with 512 to 2048 bits key length. Note that key lengths below 1024 bit are not included in the certificate as the key length is subject of the German national recommendations.
- Signature creation and verification according to ECDSA standard and key agreement according to ECDH standard with 192 - 521 bits key length
- Secure hash-algorithm SHA-2 intended to be used for signature generation, verification and generic data integrity checks. The use for keyed hash operations like HMAC or similar, is not subject of this TOE and requires specific security improvements and DPA analysis by the operating system which is not part of this TOE.
- The ACE module allowing for data encryption according to RSA standard with 512 to 2048 bits key length and EC data encryption with 192 – 512 bit key length
- Data encryption according to single-DES and 3DES standard (single DES is out of scope of the evaluation)

- Advanced security sensors and physical countermeasures (e.g. shielding, temperature sensor, voltage sensors, filters)
- True random number generation (AIS31 compliant)
- Control of access rights to the memory by the memory management unit (MMU)
- Automatic error detection/correction of the NVM content (EDC, ECC2¹)
- Data encryption for all CPU external memories by the integrated Memory Encryption and Decryption (MED)
- Encryption of the data transported over the bus to and from the security sensitive SFRs
- Countermeasures against SPA, DPA, EMA, and DFA attacks.

In this security target the TOE (target of evaluation) is described and a summary specification is given. The security environment of the TOE during its different phases of the lifecycle is defined. The assets are identified which have to be protected through the security policy. The threats against these assets are described. The security objectives as the objectives of the security policy are defined as well as the security requirements. The requirements are built up of the security functional requirements as part of the security policy and the security assurance requirements as the steps during the evaluation and certification to show the TOE meets its requirements. The functionality of the TOE to meet the requirements is described.

The assets, threats, security objectives and the security functional requirements are defined in the Smartcard IC Platform Protection Profile and are referenced here. These requirements build up a minimal standard common for all Smartcards.

The security enforcing functions are defined here in the security target as property of this specific TOE. Here it is shown how this specific TOE fulfils the requirements for the standard defined in the Protection Profile.

1.3 CC Conformance

The security target is Common Criteria V2.3 part 2 (CCMB-2005-08-002) extended, part 3 conformant (CCMB-2005-08-003) and conformant to the Smartcard IC Platform Protection Profile. The assurance level is EAL5 augmented (EAL5+) with components ALC_DVS.2, AVA_MSU.3 and AVA_VLA.4.

The security requirements of the TOE according to the Smartcard IC Platform Protection Profile are listed in Table 10. The augmented security functional requirements (see Table 11) are listed and described in section 5.1.

¹ Error Detection Code, Error Correction Code

2 Description of the Target of Evaluation (TOE)

The TOE description helps to understand the specific security environment and the security policy. In this context the assets, threats, security objectives and security functional requirements can be employed. The following is a more detailed description of the TOE than in the Smartcard IC Platform Protection Profile as it belongs to the specific TOE.

2.1 Product Type

The Target of Evaluation (TOE), is a smart card IC (Security Controller) meeting the highest requirements in terms of performance and security. They are manufactured by Infineon Technologies AG in a 0.22 μm CMOS technology. The ICs are intended to be used in smart cards for particularly security-relevant applications. That is based on its previous use as developing platform for smart card operating systems according to the lifecycle model (in Smartcard IC Platform Protection Profile).

The term Smartcard Embedded Software is used in the following for all operating systems and applications stored and executed on the TOE. The TOE is the platform for the Smartcard Embedded Software. The Smartcard Embedded Software itself is not part of the TOE.

The ICs consists of a dedicated non standard microprocessor (CPU) with a MMU (Memory Management Unit), several different memories, security logic, a timer, an interrupt-controlled I/O interface, a AIS31 compatible RNG (Random Number Generator), and a checksum module (CRC module) and further components are integrated on the chip too. For fast asymmetric cryptographic calculation performance the TOE has the Advanced Cryptographic Engine (ACE) component implemented. The TOE's block diagram is shown in Figure 1: Block diagram of the TOE.

The CPU in all variants is equal and is compatible with the SAB 8051 instruction set and is 6 times faster than the standard processor. It provides additional powerful instructions for smart card applications. The TOE thus meets the requirements of the new generation of operating systems.

The memory is organized and sized as shown in Table 4: Memory Organization of the TOE. Besides the various interfaces principle differences are present within the TOE products:

The products of this TOE provide various memory sizes and interface configurations to the user although the hardware of all products of this TOE is equal. The differences are achieved by means of blocking resulting from different configurations.

The CPU accesses the memory via the integrated Memory Encryption and Decryption unit (MED). The access rights of the application to the memories can be controlled with the memory management unit (MMU). Errors in the NVM are automatically detected and corrected by the EDC and ECC unit. Security, sleep mode and interrupt logic as well as the RNG are specially designed for smart card applications. The sleep mode logic (clock stop mode per ISO/IEC 7816-3) is used to reduce the overall power consumption. The timer permits easy implementation of communication protocols such as T=1 and all other time-critical operations. The UART-controlled I/O interface allows the smart card controller and the terminal interface to be operated independently in terms of timing. The virtual PLL (VPLL) unit allows operating all variants with a multiplication factor over the external clock signal or free running with maximum frequency. The RNG does not supply a pseudorandom number sequence, but instead produces genuine random numbers under all conditions. The checksum module allows simple calculation of checksums per ISO 3309 (16 bit CRC).

Two modules for cryptographic operations are implemented on the TOE: The well known Advanced Crypto Engine (ACE) (Advanced Crypto Engine) for calculation of asymmetric algorithms like RSA and elliptic curve (EC) and the Cryptographic Unit (DDES) for Dual Key DES calculations. These modules are especially designed for Chipcard applications with respect to the security and power

consumption. The DDES module computes the complete DES algorithm within a few clock cycles and is especially designed to counter attacks like DPA or EMA.

The TOE includes also functionality to calculate single DES operations, but part of the evaluation is the triple-DES operation only.

The software (firmware) required for chip operation consists of routines for programming the EEPROM from application programs and for online testing of the security enforcing functions. These routines are stored in a reserved ROM area. In addition, the chip initialisation routine with security checks and identification mode as well as test routines for production testing are located in a separate test ROM area.

In comparison to the P- family a new feature has been implemented in the PE-family described as Extended Configuration component CFG_EXT. This CFG_EXT component includes the extended SFR registers now being used for the general purposes and chip configuration. These registers are partly implemented as so called HWBITS.

HWBITS were introduced in order to be able to exchange the default settings of configuration registers to block certain modules or memory areas for so called blocked derivatives of the design. To achieve this, the configuration SFRs are no longer exclusively implemented as programmable registers being written in STS mode and then locked. The HWBITS used as extended SFR are hard-wired on the silicon now. This is implemented by special HWBIT0/HWBIT1 library cells in the semi-custom part (HardWiredBits). These cells are identified during the generation of the design data and replaced by appropriate HWBIT0 and HWBIT1 cells. For memory organization, see Table 4: Memory Organization of the TOE.

The generation of these hardware bits is possible only once when creating a new blocked version of the design. The overview given in Figure 1: Block diagram of the TOE, does not show these individual cells since they are used from various components and distributed over the entire chip. Therefore they cannot be assigned to a certain component.

The TOE offers a new, improved standard of integrated security features, thereby meeting the requirements of all smart card applications with contact-based and contactless interface such as information integrity, access control, mobile telephone, as well as uses in electronic funds transfer and healthcare systems.

To sum up, the TOE is a powerful smart card IC with a large amount of memory and special peripheral devices with both improved performance and optimised power consumption at minimal chip size. It therefore constitutes the basis for future smart card applications.

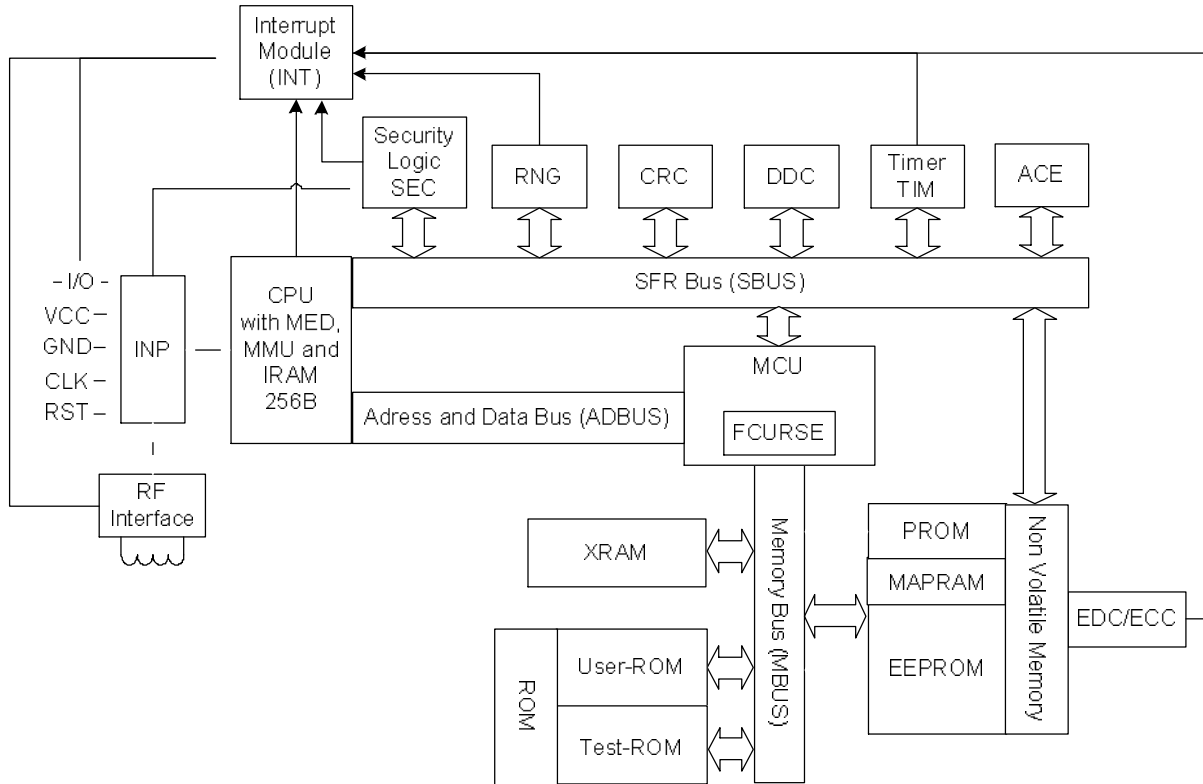
Table 4: Memory Organization of the TOE

Product Name	Dev. Code	Des. Vers.	Chip Type hex	XRAM avail. [kByte]	User ROM avail. Usr [kByte]	EEPROM avail. [kByte]	PROM [Bits]
SLE66CLX1600PEM	M1590	A12	BBh	6	236	158 + 1k Mifare	128
SLE66CLX1600PE	M1596	A12	BCh	6	240	160	128
SLE66CLX1600PES	M1597	A12	50h	6	240	160	128
SLE66CX1600PE	M1598	A12	59h	6	240	160	128
SLE66CLX1440PEM	M2090	A12	55h	6	236	144 + 1k Mifare	128
SLE66CLX1440PE	M2091	A12	54h	6	240	144	128
SLE66CLX1440PES	M2092	A12	56h	6	240	144	128
SLE66CX1440PE	M2093	A12	58h	6	240	144	128
SLE66CLX1280PEM	M2094	A12	52h	6	236	128 + 1k Mifare	128
SLE66CLX1280PE	M2095	A12	51h	6	240	128	128
SLE66CLX1280PES	M2096	A12	53h	6	240	128	128
SLE66CX1280PE	M2097	A12	57h	6	240	128	128

Note: In terms of the Mifare^{TM2} compatible interface derivatives 1kByte of the EEPROM remains unused and not accessible, as only 2k-slides can be reserved from the EEPROM. Since 160 kByte EERPOM is the physical limit, the MifareTM compatible interface derivatives with fully available EEPROM provides only 158 + 1 kByte available space. The memory reservation is done by the MMU.

Figure 1: Block diagram of the TOE

² MifareTM is a trademark of NXP B.V.



2.2 Scope of the TOE

The TOE comprises the *hardware* of the smart card security controllers as listed above. All products of this TOE and the associated *firmware/software* required for operation are manufactured by Infineon Technologies AG. In the following description and in the other evaluation documents, the term “manufacturer” is short for Infineon Technologies AG, the manufacturer of the TOE.

The Smartcard Embedded Software is not part of the TOE.

2.2.1 Hardware of the TOE

The hardware part of the TOE as defined in the Smartcard IC Platform Protection Profile comprises:

- Security logic (SEC)
- Microcontroller type ECO 2000 (CPU) with the subcomponents memory encryption and decryption unit (MED), memory management unit (MMU) and 256 bytes of internal RAM (IRAM)
- Memory Control Unit (MCU) with FCURSE distributes the data to and from memory components while the FCURSE provides camouflage access operations
- External memory comprising RAM (XRAM), ROM including the routines for the chip management (RMS), test ROM containing the test routines (STS) and the Non Volatile Memory (EEPROM) with error detection (EDC) and error correction (ECC). The MapRAM holds the administrative information of all pages of a sector which allows for a consistent mapping of logical to physical pages. Please refer to Table 4: Memory Organization of the TOE, for the memory sizes by derivative.
- True random number generator (RNG)
- Checksum module (CRC)
- Interrupt module (INT)
- The RF interface (radio frequency power and signal interface) enables contactless communication between a PICC (proximity integrated chip card, PICC) and a PCD reader/writer (proximity coupling device, PCD). The power supply and data are received by an antenna which consists of a coil with a few turns directly connected to the IC.
- Input Logic (INP)
- Timer (TIM)
- Address and data bus (ADBUS)
- SFR bus (SBUS)
- Memory bus (MBUS)
- Advanced Crypto Engine (ACE) for long integer modulo calculations, which are used in asymmetric encryption/decryption algorithms like RSA and EC
- DES accelerator (DDES), used for fast calculations of the DES algorithm
- Extended configuration (CFG_EXT), extended SFR registers for general purposes and chip configuration

2.2.2 Firmware and software of the TOE

The entire firmware of the IC consists of two different parts:

One part are the RMS routines for EEPROM programming, security functions test, and random number online testing (Resource Management System, IC Dedicated Support Software in Smartcard IC Platform Protection Profile) and the routines for the SLE66CLXxxxPEM derivatives supporting the Mifare™ compatible interface protocol. The RMS routines are stored from Infineon Technologies AG in a reserved area of the ROM.

The given RMS version consists of two hex-files. The first contains the standard RMS functions and the second the dedicated Mifare™ compatible interface routines. During compilation it is distinguished between the two hex files dependent whether Mifare™ compatible interface is present or not. The user interface is identically in both cases and subsequently the Mifare™ compatible interface routines can be called in each of the derivatives. In case Mifare™ compatible interface routines are called in derivatives without Mifare™ compatible interface a dedicated error code is returned and in case of the Mifare™ compatible interface derivative the according function is performed.

The second part is the STS consisting of test and initialization routines (Self Test Software, IC Dedicated Test Software). The STS routines are stored in the especially protected test ROM and are not accessible for the user software.

The delivered software part of the TOE consists of the RSA library, the EC library and the SHA-2 library.

The RSA library is used to provide a high level interface to RSA (Rivest, Shamir, Adleman) cryptography implemented on the hardware component ACE and includes countermeasures against SPA, DPA and DFA attacks. The routines are used for the generation of RSA Key Pairs (RsaKeyGen), the RSA signature verification (RsaVerify), the RSA signature generation (RsaSign) and the RSA modulus recalculation (RsaModulus). The hardware ACE unit provides the basic long number calculations (add, subtract, multiply, square with 1100 bit numbers) with high performance. The RSA library is delivered as object code and in this way integrated in the user software. The RSA library can perform RSA operations from 512 to 2048 bits.

Note that key lengths below 1024 bit are not included in the certificate as the key length is subject of the German national recommendations.

The EC library is used to provide a high level interface to Elliptic Curve cryptography implemented on the hardware component ACE and includes countermeasures against SPA, DPA and DFA attacks. The routines are used for ECDSA signature generation, ECDSA signature verification, ECDSA key generation and Elliptic Curve Diffie-Hellman key agreement. The EC library is delivered as object code and in this way integrated in the user software. The EC library can perform EC operations on elliptic curve parameters with key lengths up to 533 bits. Included in the evaluation are only operations with key length of 192 to 521 bits.

The SHA-library provides the calculation of a hash value of freely chosen data input in the CPU. The SHA-library is delivered as object code and is in this way available for the user software.

This secure hash-algorithm SHA-2 is intended to be used for signature generation, verification and generic data integrity checks. The use for keyed hash operations like HMAC or similar security critical operations involving keys, is not subject of this TOE and requires specific security improvements and DPA analysis including the operating system, which is not part of this TOE.

The above demarcations of the TOE result in the interfaces described below.

Note: The TOE can be delivered without a specific library. In this case the TOE does not provide the Additional Specific Security Functionality Rivest-Shamir-Adleman Cryptography (RSA) or/and Elliptic Curve Cryptography (EC) or/and SHA-2.

2.2.2.1 Interfaces of the TOE

- The physical interface of the TOE to the external environment is the entire surface of the IC.
- The electrical interface of the TOE to the external environment is constituted by the pads of the chip, particularly the contacted RES, I/O, CLK lines and supply lines VCC and GND, as well as by the contactless RF interface.

The RF interface (radio frequency power and signal interface) enables contactless communication between a PICC (proximity integration chip card, PICC) and a PCD reader/writer (proximity coupling device, PCD), for details on the interfaces see Table 5: communication Interfaces. The power supply and data are received by an antenna which consists of a coil with a few turns directly connected to the IC.

Three radio interface protocols are available:

- The derivatives without extension communicate with the contact-based interface according to ISO 7816/ETSI/EMV and with the contactless interface according to ISO 14443 type A and type B protocols
- The derivatives with the extended “M” are used for the Mifare™ compatible interface protocol and related memory management (classic 1k emulation), but can communicate also via ISO 14443 type A and type B protocol and contact based via ISO 7816.
- The “S” derivatives use an interface protocol as described in the ISO 18092 passive mode standard, but communication via ISO 14443 type A&B and contact based via ISO 7816 is also possible.
- Different anti-collision procedures can be implemented in software supported by on-chip hardware (e.g 16-bit timer, bitgrid logic).

For clear identification and interface type assignment please find following table:

Table 5: communication Interfaces

Name	M-No.	Contact-based ISO 7816	Contactless ISO 14443	Mifare®	Passive mode ISO 18092
SLE66CLX1600PEM	M1590	yes	yes	yes	no
SLE66CLX1600PE	M1596	yes	yes	no	no
SLE66CLX1600PES	M1597	yes	yes	no	yes
SLE66CX1600PE	M1598	yes	no	no	no
SLE66CLX1440PEM	M2090	yes	yes	yes	no
SLE66CLX1440PE	M2091	yes	yes	no	no
SLE66CLX1440PES	M2092	yes	yes	no	yes
SLE66CX1440PE	M2093	yes	no	no	no
SLE66CLX1280PEM	M2094	yes	yes	yes	no
SLE66CLX1280PE	M2095	yes	yes	no	no
SLE66CLX1280PES	M2096	yes	yes	no	yes
SLE66CX1280PE	M2097	yes	No	no	no

The extension “M” in the product name denotes the Mifare™ compatible interface. and “S” the ISO 18092 passive mode. If the product name is neither including extension “M” nor “S”, it has the ISO14443 and the ISO7816 interfaces active only. Regarding the derivatives, which name starts with an SLE66CX rather than SLE66CLX, only contact based operation is possible.

- The data-oriented I/O interface to the TOE is formed by the I/O pad and the various RF-options.
- The interface to the firmware is constituted by special registers used for hardware configuration and control (Special Function Registers, SFR).
- The interface of the TOE to the operating system is constituted on the one hand by the RMS routine calls and on the other by the instruction set of the TOE.
- The interface of the TOE to the test routines is formed by the STS test routine call, i.e. entry to test mode (STS-TM entry)
- The interface to the RSA calculations is defined by the RSA library interface.
- The interface to the EC calculations is defined by the EC library interface.
- The interface to the SHA-2 calculation is defined by the SHA-2 library interface.

2.2.3 Guidance documentation

The guidance documentation consists of the [Databook] (and additional errata sheets) which contains the description of all interfaces of the software to the hardware relevant for programming the TOE. Also parts of the guidance documentation are:

- * the [RSA_LIB] which contains the description of all interfaces of the RSA library and/or
- * the [EC_LIB] which contains the description of all interfaces of the EC library
- * the [SHA-2_LIB] which contains the description of all interfaces of the SHA-2 library

The documentation [RSA_LIB], [EC_LIB] and [SHA-2_LIB] is only delivered to the user if the specific library is part of the delivered TOE.

In addition programming examples for more specific topics like secure use of cryptography are documented in form of application notes. The application notes are part of the development kit provided to the software developer. The monthly updated list of application notes is provided from Infineon Technologies AG [Status].

Finally the certification report will contain an overview of the recommendations to the software developer regarding the secure use of the platforms of the TOE. These recommendations are also included in the ordinary documentation.

The list of guidance documentation is given in Annex 9.1.

2.2.4 Forms of delivery

The TOE can be delivered in form of complete modules (with and without inlay antenna) or in form of plain wafers. The delivery can therefore be at the end of phase 3 or at the end of phase 4 according to the Smartcard IC Platform Protection Profile. Nevertheless in both cases the TOE is finished and the extended test features are removed. In this document are always both cases mentioned to avoid incorrectness but from the security policy point of view the two cases are identical.

The delivery to the software developer (phase 2 -> phase 1) contains the development package which is delivered in form of documentation as described above, data carriers, containing the tools and emulators, as development and debugging tool.

2.2.5 Production sites

The TOE is produced (semiconductor production) in the production sites:

- Dresden/Germany.

To distinguish possible different production sites the chip production site code number is coded into the chip. As each production site has only one unique code, there is also only one unique chip identification number. The exact coding of the chip identification data is described in [Databook] and the complementary errata-sheet in its latest version.

3 TOE Security Environment

For this chapter the Smartcard IC Platform Protection Profile can be applied completely. A summary is given in the following.

3.1 Definition of Assets

The primary assets concern the User Data which includes the data as well as program code (Smartcard Embedded Software). This asset has to be protected while being executed and on the other hand when the TOE is not in operation. This leads to the three primary assets

- User Data
- Smartcard Embedded Software
- TOE's correct operation

The specific functions of the TOE introduce additional assets.

- the random numbers generated by the TOE

The class of secondary assets consists of the following.

- logical design data,
- physical design data,
- IC Dedicated Software, Initialisation Data and Pre-personalisation Data, TSF data
- specific development aids,
- test and characterisation related data,
- material for software development support, and
- photo masks and products in any form

For details see Smartcard IC Platform Protection Profile section 3.1.

3.2 Assumptions

The assumptions defined in the Smartcard IC Platform Protection Profile concern the phases where the TOE has left the chip manufacturer.

A.Process-Card	Protection during Packaging, Finishing and Personalisation
A.Plat-Appl	Usage of Hardware Platform
A.Resp-Appl	Treatment of User Data

The support of cipher schemas needs to make an additional assumption.

The developer of the Smartcard Embedded Software must ensure the appropriate “Usage of Key-dependent Functions (A.Key-Function)” while developing this software in Phase 1 as specified below.

A.Key-Function Usage of Key-dependent Functions

Key-dependent functions (if any) shall be implemented in the Smartcard Embedded Software in a way that they are not susceptible to leakage attacks (as described under T.Leak-Inherent and T.Leak-Forced).

Note that here the routines which may compromise keys when being executed are part of the Smartcard Embedded Software. In contrast to this the threats T.Leak-Inherent and T.Leak-Forced address (i) the cryptographic routines which are part of the TOE and (ii) the processing of User Data including cryptographic keys.

For details see Smartcard IC Platform Protection Profile section 3.2.

3.3 Threats

The threats are directed against the assets. The threat is a general description of “What one wants to do” and might contain several specific attacks (“How one wants to do it”). The more detailed description of specific attacks is given later on in the process of evaluation and certification. An overview on attacks is given in Smartcard IC Platform Protection Profile.

Table 6: threats to Smartcards according to the Protection Profile

T.Phys-Manipulation	Physical Manipulation
T.Phys-Probing	Physical Probing
T.Malfunction	Malfunction due to Environmental Stress
T.Leak-Inherent	Inherent Information Leakage
T.Leak-Forced	Forced Information Leakage
T.Abuse-Func	Abuse of Functionality
T.RND	Deficiency of Random Numbers

For details see Smartcard IC Platform Protection Profile section 3.2.

3.4 Organisational Security Policies

The TOE has to be protected during the first phases of its lifecycle (phases 2 up to TOE delivery)³. Later on each variant of the TOE has to protect itself. The organisational security policy covers this aspect.

P.Process-TOE Protection during TOE Development and Production

See Smartcard IC Platform Protection Profile for a detailed description.

Due to the augmentations of the Smartcard IC Platform Protection Profile an additional policy is introduced.

3.4.1 Augmented organisational security policy

The TOE provides specific security functionality which can be used by the Smartcard Embedded Software. In the following specific security functionality is listed which is not derived from threats identified for the TOE's environment because it can only be decided in the context of the smartcard application, against which threats the Smartcard Embedded Software will use the specific security functionality.

The IC Developer / Manufacturer must apply the policy "Additional Specific Security Functionality (P.Add-Functions)" as specified below.

P.Add-Functions Additional Specific Security Functionality

The TOE shall provide the following specific security functionality to the Smartcard Embedded Software:

- *Area based Memory Access Control*
- *Triple Data Encryption Standard (3DES),*
- *Rivest-Shamir-Adleman (RSA)*
- *Elliptic Curve Cryptography (EC)*
- *Secure Hash Algorithm SHA-2*

Note: The cryptographic libraries RSA, EC and SHA-2 are delivery options. Therefore the TOE may come with free combinations of or without these libraries. In the case of coming without one or any combination of these libraries the TOE does not provide the Additional Specific Security Functionality Rivest-Shamir-Adleman Cryptography (RSA) and/or Elliptic Curve Cryptography (EC) and/or SHA-2.

³ The TOE can be delivered either after phase 3 or after phase 4.

4 Security objectives

For this chapter the Smartcard IC Platform Protection Profile can be applied completely. Only a short overview is given in the following.

4.1 Security objectives for the TOE

See Smartcard IC Platform Protection Profile.

Table 7: Objectives for Smartcards according to the Protection Profile

O.Phys-Manipulation	Protection against Physical Manipulation
O.Phys-Probing	Protection against Physical Probing
O.Malfunction	Protection against Malfunction due to Environmental Stress
O.Leak-Inherent	Protection against Inherent Information Leakage
O.Leak-Forced	Protection against Forced Information Leakage
O.Abuse-Func	Protection against Abuse of Functionality
O.Identification	TOE Identification
O.RND	Random Numbers

The TOE shall provide “Additional Specific Security Functionality (O.Add-Functions)” as specified below.

O.Add-Functions Additional Specific Security Functionality

The TOE must provide the following specific security functionality to the Smartcard Embedded Software:

- *Area based Memory Access Control*
- *Triple Data Encryption Standard (3DES)*
- *Rivest-Shamir-Adleman (RSA)*
- *Elliptic Curve Cryptography (EC)*
- *Secure Hash Algorithm (SHA-2)*

Note: The cryptographic libraries RSA, EC and SHA-2 are delivery options. Therefore the TOE may come with free combinations of or without these libraries. In the case of coming without one or any combination of these libraries the TOE does not provide the Additional Specific Security Functionality Rivest-Shamir-Adleman Cryptography (RSA) and/or Elliptic Curve Cryptography (EC) and/or SHA-2.

Table 8: Additional objectives due to TOE specific functions and augmentations

O.Add-Functions	Additional specific security functionality
-----------------	--

4.2 Security objectives for the environment

The detailed description of the environmental security objectives is given in the Smartcard IC Platform Protection Profile. The list of objectives is in Table 9: .

Table 9: Security objectives for the environment

Phase 1	OE.Plat-Appl	Usage of Hardware Platform
	OE.Resp-Appl	Treatment of User Data
Phase 2 up to TOE delivery	OE.Process-TOE	Protection during TOE Development and Production
TOE delivery up to end of phase 6	OE.Process-Card	Protection during Packaging, Finishing and Personalisation

4.2.1 Clarification of “Usage of Hardware Platform (OE.Plat-Appl)”

Regarding the cryptographic services this objective of the environment has to be clarified. The TOE supports cipher schemes as additional specific security functionality. If required the Smartcard Embedded Software shall use these cryptographic services of the TOE and their interface as specified. When key-dependent functions implemented in the Smartcard Embedded Software are just being executed, the Smartcard Embedded Software must provide protection against disclosure of confidential data (User Data) stored and/or processed in the TOE by using the methods described under “Inherent Information Leakage (T.Leak-Inherent)” and “Forced Information Leakage (T.Leak-Forced)”.

Regarding the area based access control this objective of the environment has to be clarified. For the separation of different applications the Smartcard Embedded Software (Operating System) may implement a memory management scheme based upon security mechanisms of the TOE.

4.2.2 Clarification of “Treatment of User Data (OE.Resp-Appl)”

Regarding the cryptographic services this objective of the environment has to be clarified. By definition cipher or plain text data and cryptographic keys are User Data. The Smartcard Embedded Software shall treat these data appropriately, use only proper secret keys (chosen from a large key space) as input for the cryptographic function of the TOE and use keys and functions appropriately in order to ensure the strength of cryptographic operation.

This means that keys are treated as confidential as soon as they are generated. The keys must be unique with a very high probability, as well as cryptographically strong. For example, it must be ensured that it is beyond practicality to derive the private key from a public key if asymmetric algorithms are used. If keys are imported into the TOE and/or derived from other keys, quality and confidentiality must be maintained. This implies that appropriate key management has to be realised in the environment.

Regarding the area based access control this objective of the environment has to be clarified. The treatment of User Data is also required when a multi-application operating system is implemented as part of the Smartcard Embedded Software on the TOE. In this case the multi-application operating system should not disclose security relevant user data of one application to another application when it is processed or stored on the TOE.

5 IT security requirements

For this chapter the Smartcard IC Platform Protection Profile can be applied completely.

5.1 TOE security requirements

See Smartcard IC Platform Protection Profile.

The following tables provide an overview of the used functional security requirements. Requirements which are not drawn from CC Part 2 are marked in italics.

Table 10: Security functional requirements defined in Smartcard IC Platform Protection Profile

Security Functional Requirement	Refined in PP
FRU_FLT.2 "Limited fault tolerance"	Yes
FPT_FLS.1 "Failure with preservation of secure state"	Yes
FPT_SEP.1 "TSF domain separation"	Yes
<i>FMT_LIM.1 "Limited capabilities"</i>	
<i>FMT_LIM.2 "Limited availability"</i>	
<i>FAU_SAS.1 "Audit storage"</i>	
FPT_PHP.3 "Resistance to physical attack"	Yes
FDP_ITT.1 "Basic internal transfer protection"	Yes
FDP_IFC.1 "Subset information flow control"	
FPT_ITT.1 "Basic internal TSF data transfer protection"	Yes
<i>FCS_RND.1 "Quality metric for random numbers"</i>	

Table 11: Augmented security functional requirements

Security Functional Requirement
<i>FPT_TST.2 "Subset TOE security testing"</i>
FDP_ACC.1 "Subset access control"
FDP_ACF.1 "Security attribute based access control"
FMT_MSA.3 "Static attribute initialisation"
FMT_MSA.1 "Management of security attributes"
FMT_SMF.1 "Specification of Management functions"
FCS_COP.1 (3DES) "Cryptographic operation"
FCS_COP.1 (RSA) "Cryptographic operation"
FCS_CKM.1 (RSA) "Cryptographic key generation"
FCS_COP.1 (ECDSA) "Cryptographic operation"
FCS_CKM.1 (EC) "Cryptographic key generation"

Security Functional Requirement
FCS_COP.1 (ECDH) "Cryptographic operation"
FCS_COP.1 (SHA-2) "Cryptographic operation"
FDP_SDI.1 "Stored data integrity monitoring"
FDP_SDI.2 "Stored data integrity monitoring and action"

5.1.1 TOE security functional requirements

The detailed description of the security functional requirements is given in the Smartcard IC Platform Protection Profile. These security functional requirements are listed in Table 10. The last column defines, whether the requirement is refined in the PP. The refinements are also valid for this ST. The additional security functional requirements are listed in Table 11. The necessary assignments are done in section 7.2. The description of the additional security functional requirements is given in the following.

5.1.1.1 Subset TOE security testing (FPT_TST.2)

The security is strongly dependent on the correct operation of the security functions. Therefore, the TOE shall support that particular security functions or mechanisms are tested in the operational phase (Phase 7). The tests can be initiated by the Smartcard Embedded Software and/or by the TOE.

Part 2 of the Common Criteria provides the security functional component "TSF testing (FPT_TST.1)". The component FPT_TST.1 provides the ability to test the TSF's correct operation.

For the user it is important to know which security functions or mechanisms can be tested. The functional component FPT_TST.1 does not mandate to explicitly specify the security functions being tested. In addition, FPT_TST.1 requires verification of the integrity of TSF data and of the stored TSF executable code which might violate the security policy. Therefore, the security functional component **Subset TOE security testing (FPT_TST.2)** has been newly created. This component allows that particular parts of the security mechanisms and functions provided by the TOE are tested.

FPT_TST.2

The security functional component Subset TOE security testing (FPT_TST.2) has been newly created (Common Criteria Part 2 extended). This component allows that particular parts of the security mechanisms and functions provided by the TOE can be tested after TOE Delivery. This security functional component is used instead of the functional component FPT_TST.1 from Common Criteria Part 2. For the user it is important to know which security functions or mechanisms can be tested. The functional component FPT_TST.1 does not mandate to explicitly specify the security functions being tested. In addition, FPT_TST.1 requires verifying the integrity of TSF data and stored TSF executable code which might violate the security policy.

The TOE shall meet the requirement "Subset TOE testing (FPT_TST.2)" as specified below (Common Criteria Part 2 extended).

FPT_TST.2 Subset TOE testing

Hierarchical to:	No other components.
FPT_TST.2.1	<p>The TSF shall run a suite of self tests⁴ <i>at the request of the authorised user</i>⁵ to demonstrate the correct operation of the <i>environmental sensor mechanisms</i>:</p> <p><i>Frequency Monitoring,</i></p> <p><i>Voltage Sensor,</i></p> <p><i>Light Detection,</i></p> <p><i>Temperature Sensor,</i></p> <p><i>the RNG with help of the live test</i></p> <p><i>the active shield.</i></p>
Dependencies:	FPT_AMT.1 Abstract machine testing

5.1.1.2 Memory access control

Usage of multiple applications in one Smartcard often requires separation of code and data in order to prevent that one application can access code and/or data of another application. To support this feature the TOE provides Area based Memory Access Control. The underlying memory management unit (MMU) is documented in section 5 of the [DataBook].

Remember that the expression TOE always comprises all the products defined in Table 2: Products of the TOE, when used in the following.

The security service being provided is described in the Security Function Policy (SFP) **Memory Access Control Policy**. The security functional requirement “**Subset access control (FDP_ACC.1)**” requires that this policy is in place and defines the scope were it applies. The security functional requirement “**Security attribute based access control (FDP_ACF.1)**” defines addresses security attribute usage and characteristics of policies. It describes the rules for the function that implements the Security Function Policy (SFP) as identified in FDP_ACC.1. The decision whether an access is permitted or not is taken based upon attributes allocated to the software. The Smartcard Embedded Software defines the attributes and memory areas. The corresponding permission control information is evaluated “on-the-fly” by the hardware so that access is granted/effective or denied/inoperable.

The security functional requirement “**Static attribute initialisation (FMT_MSA.3)**” ensures that the default values of security attributes are appropriately either permissive or restrictive in nature. Alternative values can be specified by any subject provided that the **Memory Access Control Policy** allows that. This is described by the security functional requirement “**Management of security attributes (FMT_MSA.1)**”. The attributes are determined during TOE manufacturing (FMT_MSA.3) or set at run-time (FMT_MSA.1).

From TOE’s point of view the different roles in the Smartcard Embedded Software can be distinguished according to the memory based access control. However the definition of the roles belongs to the user software.

⁴ The definition of the user mode self test function (Umslc) can be found in [Databook] chapter 6, labeled as SleSlcTest

⁵ The term “authorized user” refers to the Smartcard Embedded Software running on the TOE

The following Security Function Policy (SFP) **Memory Access Control Policy** is defined for the requirement “Security attribute based access control (FDP_ACF.1)”:

Memory Access Control Policy

The TOE shall control *read, write, delete, execute* accesses of *software running at two different modes (system mode active during interrupt execution or application mode active during other executing)* on *data and code stored in memory areas*.

The TOE shall restrict the ability to define, to change or at least to finally accept the applied rules (as mentioned in FDP_ACF.1) to *software running at interrupt level (in the system mode)*.

The TOE shall meet the requirement “Subset access control (FDP_ACC.1)” as specified below.

FDP_ACC.1 Subset access control

Hierarchical to: No other components.

FDP_ACC.1.1 The TSF shall enforce the *Memory Access Control Policy* on *all subjects (software running at system mode active during interrupt execution or application mode active during other executing), all objects (data including code stored in memories) and all the operations defined in the Memory Access Control Policy*.

Dependencies: FDP_ACF.1 Security attribute based access control

The TOE shall meet the requirement “Security attribute based access control (FDP_ACF.1)” as specified below.

FDP_ACF.1 Security attribute based access control

Hierarchical to: No other components.

FDP_ACF.1.1⁶ The TSF shall enforce the *Memory Access Control Policy* to objects based on the following:
Subject:
 - *software running at system mode active during interrupt execution or application mode active during other executing*
attributes:
 - *the interrupt execution level where the software is executed (interrupt / non-interrupt) and/or*
Object:
 - *data including code stored in memories*
attributes:
 - *the memory area where the access is performed to and/or*

⁶ The following element is changed as a result of Interpretation 103.

FDP_ACF.1.1 The TSF shall enforce the [assignment: *access control SFP*] to objects based on the following: [assignment: *list of subjects and objects controlled under the indicated SFP, and, for each, the SFP-relevant security attributes, or named groups of SFP-relevant security attributes*].

- *the operation to be performed.*

FDP_ACF.1.2 The TSF shall enforce the following rules to determine if an operation among controlled subjects and controlled objects is allowed: *evaluate the corresponding permission control information before the access so that accesses to be denied can not be utilised by the subject attempting to perform the operation.*

FDP_ACF.1.3 The TSF shall explicitly authorise access of subjects to objects based on the following additional rules: *none.*

FDP_ACF.1.4 The TSF shall explicitly deny access of subjects to objects based on the following additional rules: *none.*

Dependencies: FDP_ACC.1 Subset access control
FMT_MSA.3 Static attribute initialisation

The TOE shall meet the requirement “Static attribute initialisation (FMT_MSA.3)” as specified below.

FMT_MSA.3 Static attribute initialisation

Hierarchical to: No other components.

FMT_MSA.3.1 The TSF shall enforce the *Memory Access Control Policy* to provide *well defined*⁷ default values for security attributes that are used to enforce the SFP.

FMT_MSA.3.2 The TSF shall allow *any subject (provided that the Memory Access Control Policy is enforced and the necessary access is therefore allowed)*⁸ to specify alternative initial values to override the default values when an object or information is created.

Dependencies: FMT_MSA.1 Management of security attributes
FMT_SMR.1 Security roles

The TOE shall meet the requirement “Management of security attributes (FMT_MSA.1)” as specified below:

FMT_MSA.1 Management of security attributes

Hierarchical to: No other components.

FMT_MSA.1.1 The TSF shall enforce the *Memory Access Control Policy* to restrict the ability to *change default, modify or delete* the security attributes *permission control information to running at interrupt level (system mode).*

Dependencies: [FDP_ACC.1 Subset access control or

⁷ The static definition of the access rules is documented in [DataBook] section 5

⁸ The Smartcard Embedded Software is intended to set the memory access control policy

FDP_IFC.1 Subset information flow control]

FMT_SMF.1 Specification of management functions

FMT_SMR.1 Security roles

The TOE shall meet the requirement “Specification of management functions (FMT_SMF.1)” as specified below:

FMT_SMF.1	Specification of management functions
Hierarchical to:	No other components
FMT_SMF.1.1	The TSF shall be capable of performing the following security management functions: <i>access the configuration registers of the MMU.</i>
Dependencies:	No dependencies

5.1.1.3 Support of cipher schemas

FCS_COP.1 Cryptographic operation requires a cryptographic operation to be performed in accordance with a specified algorithm and with a cryptographic key of specified sizes. The specified algorithm and cryptographic key sizes can be based on an assigned standard. Note that the SHA-2 operation is a keyless cryptographic operation. The dependencies will be discussed in Section 8.2.

The following additional specific security functionality is implemented in the TOE:

- *Triple Data Encryption Standard (3DES)*
- *Rivest-Shamir-Adleman (RSA)*
- *Elliptic Curve Cryptography (EC)*
- *Secure Hash Algorithm (SHA-2)*

Note: The cryptographic libraries RSA, EC and SHA-2 are delivery options. Therefore the TOE may come with free combinations of or without these libraries. In the case of coming without one or any combination of these libraries the TOE does not provide the Additional Specific Security Functionality Rivest-Shamir-Adleman Cryptography (RSA) and/or Elliptic Curve Cryptography (EC) and/or SHA-2.

Triple-DES Operation

The DES Operation of the TOE shall meet the requirement “Cryptographic operation (FCS_COP.1)” as specified below.

FCS_COP.1	Cryptographic operation
Hierarchical to:	No other components.
FCS_COP.1.1	The TSF shall perform encryption and decryption in accordance with a specified cryptographic algorithm <i>Triple Data Encryption Standard (3DES) with keying option 2 in ECB mode</i> and cryptographic key sizes of <i>2 x 56 bit</i> that meet the following standard:

National Institute of Standards and Technology (NIST), Technology Administration, U.S. Department of Data Encryption Standard (DES), NIST Special Publication 800-67, Version 1.1, chapter 3.

Dependencies: [FDP_ITC.1 Import of user data without security attributes, or
FDP_ITC.2 Import of user data with security attributes, or
FCS_CKM.1 Cryptographic key generation]
FCS_CKM.4 Cryptographic key destruction
FMT_MSA.2 Secure security attributes

Rivest-Shamir-Adleman (RSA) operation

The Modular Arithmetic Operation of the TOE shall meet the requirement “Cryptographic operation (FCS_COP.1)” as specified below.

FCS_COP.1 Cryptographic operation

Hierarchical to: No other components.

FCS_COP.1.1 The TSF shall perform *encryption and decryption* in accordance with a specified cryptographic algorithm *Rivest-Shamir-Adleman (RSA)* and cryptographic key sizes *1024 - 2048 bits* that meet the following *standard*

PKCS#1 Cryptographic Specifications v2.1 by RSA Laboratories, chapter 5.1

Note 1: The key lengths below 1024 bit are not included in the certificate as the key length is subject of the German national recommendations.

Note 2: For easy integration of RSA functions into the user’s operating system and/or application, the library contains single cryptographic functions which are compliant to the standard, but do not represent the entire functionality of the standard. The demarcations to the standard are described RSA_LIB].

Dependencies: [FDP_ITC.1 Import of user data without security attributes, or
FDP_ITC.2 Import of user data with security attributes, or
FCS_CKM.1 Cryptographic key generation]
FCS_CKM.4 Cryptographic key destruction
FMT_MSA.2 Secure security attributes

Rivest-Shamir-Adleman (RSA) key generation

The key generation for the RSA shall meet the requirement “Cryptographic key generation (FCS_CKM.1)”

FCS_CKM.1 Cryptographic key generation

Hierarchical to: No other components.

FCS_CKM.1.1 The TSF shall generate cryptographic keys in accordance with a specified cryptographic key generation *algorithm rsagen1* and

specified cryptographic key sizes 1024 - 2048 bits that meet the following standard:

[EESS], chapter 6.2.2.1

Dependencies: [FCS_CKM.2 Cryptographic key distribution
or
FCS_COP.1 Cryptographic operation]
FCS_CKM.4 Cryptographic key destruction
FMT_MSA.2 Secure security attributes

Note: The TOE can be delivered without the RSA library. In this case the TOE does not provide the Additional Specific Security Functionality Rivest-Shamir-Adleman Cryptography (RSA) realised with the security functional requirements FCS_COP.1 (RSA) and FCS_CKM.1 (RSA).

Elliptic Curve DSA (ECDSA) operation

The Modular Arithmetic Operation of the TOE shall meet the requirement "Cryptographic operation (FCS_COP.1)" as specified below.

FCS_COP.1 Cryptographic operation

Hierarchical to: No other components.

FCS_COP.1.1 The TSF shall perform *signature generation and signature verification* in accordance with a specified cryptographic *algorithm ECDSA* and cryptographic *key sizes 192 - 521 bits* that meet the following *standard*:

ANSIX9.62-2005, chapter 7.3 and 7.4.1

Note: For easy integration of EC functions into the user's operating system and/or application, the library contains single cryptographic functions which are compliant to the standard, but do not represent the entire functionality of the standard. The demarcations to the standard are described [EC_LIB].

Dependencies: [FDP_ITC.1 Import of user data without security attributes, or
FDP_ITC.2 Import of user data with security attributes, or
FCS_CKM.1 Cryptographic key generation]
FCS_CKM.4 Cryptographic key destruction
FMT_MSA.2 Secure security attributes

Elliptic Curve (EC) key generation

The key generation for the EC shall meet the requirement “Cryptographic key generation (FCS_CKM.1)”

FCS_CKM.1 Cryptographic key generation

Hierarchical to: No other components.

FCS_CKM.1.1 The TSF shall generate cryptographic keys in accordance with a specified cryptographic key generation algorithm *specified in [ANSIX9.62]* and specified cryptographic key sizes *192 - 521 bits* that meet the following *standard*:

ANSIX9.62-2005, chapter A.4.3

Note: For easy integration of EC functions into the user's operating system and/or application, the library contains single cryptographic functions which are compliant to the standard, but do not represent the entire functionality of the standard. The demarcations to the standard are described [EC_LIB].

Dependencies: [FCS_CKM.2 Cryptographic key distribution or
FCS_COP.1 Cryptographic operation]
FCS_CKM.4 Cryptographic key destruction
FMT_MSA.2 Secure security attributes

Elliptic Curve Diffie-Hellman (ECDH) key agreement

The Modular Arithmetic Operation of the TOE shall meet the requirement “Cryptographic operation (FCS_COP.1)” as specified below.

FCS_COP.1 Cryptographic operation

Hierarchical to: No other components.

FCS_COP.1.1 The TSF shall perform *elliptic curve Diffie-Hellman key agreement* in accordance with a specified cryptographic algorithm *ECDH* and cryptographic key sizes *192 - 521 bits* that meet the following *standard*:

ANSIX9.63-2001, chapter 5.4.

Note: For easy integration of EC functions into the user's operating system and/or application, the library contains single cryptographic functions which are compliant to the standard, but do not represent the entire functionality of the standard. The demarcations to the standard are described [EC_LIB].

Dependencies: [FDP_ITC.1 Import of user data without security attributes, or
FDP_ITC.2 Import of user data with security attributes, or
FCS_CKM.1 Cryptographic key generation]

FCS_CKM.4 Cryptographic key destruction

FMT_MSA.2 Secure security attributes

Note: The TOE can be delivered without the EC library. In this case the TOE does not provide the Additional Specific Security Functionality Elliptic Curve Cryptography (ECC) realised with the security functional requirements FCS_COP.1 (ECDSA), FCS_COP.1 (ECDH) and FCS_CKM.1 (EC).

Secure Hash Algorithm (SHA-2) operation

The Modular Arithmetic Operation of the TOE shall meet the requirement “Cryptographic operation (FCS_COP.1)” as specified below.

FCS_COP.1 Cryptographic operation

Hierarchical to: No other components.

FCS_COP.1.1 The TSF shall perform *hash-value calculation of user chosen data* with specified cryptographic algorithms *SHA-256 and SHA-512* and cryptographic key sizes *of none* that meet the following *standards*

*U.S. Department of Commerce / National Bureau of Standards
Secure Hash Algorithm, FIPS PUB 180-3, 2008-October.*

Note 1: The SHA-2 library V1.0 implements the SHA-256 and SHA-512 algorithm as specified in FIPS 180-3. SHA-1 is not covered by the SHA-2 library.

Note 2: The SHA-library provides the calculation of a hash value of freely chosen data input in the CPU. The SHA-library is delivered as object code and is in this way available for the user software.

Note 3: This secure hash-algorithm SHA-2 is intended to be used for signature generation, verification and generic data integrity checks. The use for keyed hash operations like HMAC or similar security critical operations involving keys, is not subject of this TOE and requires specific security improvements and DPA analysis including the operating system, which is not part of this TOE.

Dependencies: [FDP_ITC.1 Import of user data without security attributes, or
FDP_ITC.2 Import of user data with security attributes, or
FCS_CKM.1 Cryptographic key generation]
FCS_CKM.4 Cryptographic key destruction
FMT_MSA.2 Secure security attributes

Note: The TOE can be delivered without the SHA-2 library. In this case the TOE does not provide the Additional Specific Security Functionality SHA-2 realised with the security functional requirements FCS_COP.1.

5.1.1.4 Data Integrity

CRC-Checksum

The TOE shall meet the requirement “Stored data integrity monitoring (FDP_SDI.1)” as specified below:

FDP_SDI.1	Stored data integrity monitoring
Hierarchical to:	No other components
FDP_SDI.1.1	The TSF shall monitor user data stored within the TSC for <i>inconsistencies between stored data and corresponding CRC checksum</i> on all objects, based on the following attributes: <i>CRC checksum value</i> .
Dependencies:	No dependencies

Error Detection Code and Error Correction Code (EDC, ECC)

The TOE shall meet the requirement “Stored data integrity monitoring (FDP_SDI.1)” as specified below:

FDP_SDI.2	Stored data integrity monitoring and action
Hierarchical to:	FDP_SDI.1
FDP_SDI.2.1	The TSF shall monitor user data stored within the TSC for <i>inconsistencies between stored data and corresponding ECC checksum</i> on all objects, based on the following attributes: <i>ECC value</i> .
FDP_SDI.2.2	Upon detection of a data integrity error, the TSF shall: <i>correct 1 bit errors and inform the user about more bit errors</i> .
Dependencies:	No dependencies

5.1.2 TOE security assurance requirements

The evaluation assurance level is EAL 5 augmented. Table 12 describes the security assurance requirements. The increase of the assurance components compared to the Smartcard IC Platform Protection Profile is expressed with bold letters. The augmentation of the assurance components to level EAL5 is given in italic letters.

Table 12: Assurance components

Aspect	Acronym	Description	Refinement
Configuration management	ACM_AUT.1	Partial CM automation	
	ACM_CAP.4	Generation support and acceptance procedures	in PP
	ACM_SCP.3	Development tools CM coverage	in ST
Delivery and	ADO_DEL.2	Detection of modification	in PP

Aspect	Acronym	Description	Refinement
operation	ADO_IGS.1	Installation, generation, and start-up procedures	in PP
Development	ADV_FSP.3	Semiformal functional specification	in ST
	ADV_HLD.3	Semiformal high-level design	
	ADV_IMP.2	Implementation of the TSF	
	ADV_INT.1	Modularity	
	ADV_LLD.1	Descriptive low-level design	
	ADV_RCR.2	Semiformal correspondence demonstration	
	ADV_SPM.3	Formal TOE security policy model	
Guidance documents	AGD_ADM.1	Administrator guidance	in PP
	AGD_USR.1	User guidance	in PP
Life cycle support	<i>ALC_DVS.2</i>	<i>Sufficiency of security measures</i>	<i>in PP</i>
	ALC_LCD.2	Standardised life-cycle model	
	ALC_TAT.2	Compliance with implementation standards	
Tests	ATE_COV.2	Analysis of coverage	in PP
	ATE_DPT.2	Testing: low-level design	
	ATE_FUN.1	Functional testing	
	ATE_IND.2	Independent testing – sample	
Vulnerability assessment	AVA_CCA.1	Covert channel analysis	
	<i>AVA_MSU.3</i>	<i>Validation of analysis</i>	
	AVA_SOF.1	Strength of TOE security function evaluation	
	<i>AVA_VLA.4</i>	<i>Highly resistant</i>	

5.1.3 Refinements

Some refinements are taken unchanged from the Smartcard IC Platform Protection Profile. In some cases a clarification is necessary. In Table 12 an overview is given where the refinement is done. Two refinements from the Smartcard IC Platform Protection Profile have to be discussed here in the Security Target, as the assurance level is increased.

5.1.3.1 Configuration Management Scope (ACM_SCP)

The refinement from the Smartcard IC Platform Protection Profile can be applied even at the chosen assurance level EAL 5 augmented with ACM_SCP.3. The assurance package ACM_SCP.2 is

extended to ACM_SCP.3 with aspects regarding the development tools. The refinement is not touched.

Refinement for CM scope (ACM_SCP)

The “TOE implementation representation” within the scope of the CM shall include at least:

- logical design data,
- physical design data,
- IC Dedicated Software,
- Smartcard Embedded Software,
- final physical design data necessary to produce the photomasks, and
- photomasks.

5.1.3.2 Functional Specification (ADV_FSP)

The refinement from the Smartcard IC Platform Protection Profile can be applied even at the chosen assurance level EAL 5 augmented with ADV_FSP.3. The assurance package ADV_FSP.2 is extended to ADV_FSP.3 with aspects regarding the descriptive level. The level is increased from informal to semi formal with informal description. Refinements are not touched from this measure.

For details of the refinement see Smartcard IC Platform Protection Profile.

5.2 Security requirements for the Environment

5.2.1 Security requirements for the IT Environment

5.2.1.1 Security requirements for the IT Environment resulting from FCS_COP.1

The security functional requirement “Cryptographic operation (FCS_COP.1)” met by TOE has the following dependencies

- [FDP_ITC.1 Import of user data without security attributes or FDP_ITC.2 Import of user data with security attributes or FCS_CKM.1 Cryptographic key generation],
- FCS_CKM.4 Cryptographic key destruction,
- FMT_MSA.2 Secure security attributes.

These requirements all address the appropriate management of cryptographic keys used by the specified cryptographic function and are not part of the Smartcard IC Platform Protection Profile. Most requirements concerning key management shall be fulfilled by the environment since the Smartcard Embedded Software is designed for a specific application context and uses the cryptographic functions provided by the TOE.

In the following the dependencies are discussed separately for the:

- 3DES algorithm
- RSA algorithm
- EC algorithm
- SHA-2 algorithm

5.2.1.2 3DES

The environment shall meet the requirement “Import of user data without security attributes FDP_ITC.1)” as specified below.

FDP_ITC.1 Import of user data without security attributes

Hierarchical to: No other components.

FDP_ITC.1.1 The TSF shall enforce the *Access Control Policy or Information Flow Control Policy* when importing user data, controlled under the SFP, from outside of the TSC.

FDP_ITC.1.2 The TSF shall ignore any security attributes associated with the user data when imported from outside the TSC.

FDP_ITC.1.3 The TSF shall enforce the following rules when importing user data controlled under the SFP from outside the TSC: *Data Access Control Policy or Information Flow Control Policy*.

Dependencies: [FDP_ACC.1 Subset access control, or FDP_IFC.1 Subset information flow control]

FMT_MSA.3 Static attribute initialisation

or

The environment shall meet the requirement “Import of user data with security attributes FDP_ITC.2)” as specified below.

FDP_ITC.2 Import of user data without security attributes

Hierarchical to: No other components.

FDP_ITC.2.1 The TSF shall enforce the *Access Control Policies or Information Flow Control Policies* when importing user data, controlled under the SFP, from outside of the TSC.

FDP_ITC.2.2 The TSF shall ensure that the protocol used provides for the unambiguous association between the security attributes and the user data received.

FDP_ITC.2.3 The TSF shall ensure that interpretation of the security attributes of the imported user data is as intended by the source of the user data.

FDP_ITC.2.4 The TSF shall use the security attributes associated with the imported user data.

FDP_ITC.2.5 The TSF shall enforce the following rules when importing user data controlled under the SFP from outside the TSC: *Access Control Policy or Information Flow Control Policy*.

Dependencies: [FDP_ACC.1 Subset access control, or FDP_IFC.1 Subset information flow control]

[FTP_ITC.1 Inter-TSF trusted channel, or FTP_TRP.1 Trusted path]

FPT_TDC.1 Inter-TSF basic TSF data consistency

or

The environment shall meet the requirement “Cryptographic key generation (FCS_CKM.1)” as specified below.

FCS_CKM.1 Cryptographic key generation (3DES)

Hierarchical to: No other components.

FCS_CKM.1.1 The TSF shall *generate* cryptographic keys in accordance with a specified cryptographic key generation algorithm *3DES* and specified cryptographic key sizes *2 x 56 bit* that meet the following *standard*:
Technology (NIST), Technology Administration, U.S., Department of Data Encryption Standard (DES), NIST Special Publication 800-67, Version 1.1, chapter 3.

Dependencies: [FCS_CKM.2 Cryptographic key distribution or FCS_COP.1 Cryptographic operation]

FCS_CKM.4 Cryptographic key destruction

FMT_MSA.2 Secure security attributes

Remark: Cryptographic keys for the 3DES algorithm have to be generated in the environment and imported into the TOE.

The environment shall meet the requirement “Cryptographic key destruction (FCS_CKM.4)” as specified below.

FCS_CKM.4 Cryptographic key destruction

Hierarchical to: No other components.

FCS_CKM.4.1 The TSF shall destroy cryptographic keys in accordance with a specified cryptographic key destruction method *change key and change key with certificate verification* that meets the following:
ISO/IEC 7816.

Dependencies: [FDP_ITC.1 Import of user data without security attributes or FDP_ITC.2 Import of user data with security attributes or FCS_CKM.1 Cryptographic key generation]

FMT_MSA.2 Secure security attributes

The environment shall meet the requirement “Secure security attributes (FMT_MSA.2)” as specified below.

FMT_MSA.2 Secure security attributes

Hierarchical to: No other components.

FMT_MSA.2.1 The TSF shall ensure that only secure values are accepted for security attributes.

Dependencies: ADV_SPM.1 Informal TOE security policy model

[FDP_ACC.1 Subset access control or FDP_IFC.1 Subset information flow control]

FMT_MSA.1 Management of security attributes

FMT_SMR.1 Security roles

5.2.1.3 RSA

The environment shall meet the requirement “Import of user data without security attributes FDP_ITC.1)” as specified below.

FDP_ITC.1 Import of user data without security attributes

Hierarchical to: No other components.

FDP_ITC.1.1 The TSF shall enforce the *Access Control Policy or Information Flow Control Policy* when importing user data, controlled under the SFP, from outside of the TSC.

FDP_ITC.1.2 The TSF shall ignore any security attributes associated with the user data when imported from outside the TSC.

FDP_ITC.1.3 The TSF shall enforce the following rules when importing user data controlled under the SFP from outside the TSC: *Data Access Control Policy or Information Flow Control Policy*.

Dependencies: [FDP_ACC.1 Subset access control, or FDP_IFC.1 Subset information flow control]

FMT_MSA.3 Static attribute initialisation

or

The environment shall meet the requirement “Import of user data with security attributes FDP_ITC.2)” as specified below.

FDP_ITC.2 Import of user data without security attributes

Hierarchical to: No other components.

FDP_ITC.2.1 The TSF shall enforce the *Access Control Policies or Information Flow Control Policies* when importing user data, controlled under the SFP, from outside of the TSC.

FDP_ITC.2.2 The TSF shall ensure that the protocol used provides for the unambiguous association between the security attributes and the user data received.

FDP_ITC.2.3 The TSF shall ensure that interpretation of the security attributes of the imported user data is as intended by the source of the user data.

FDP_ITC.2.4 The TSF shall use the security attributes associated with the imported user data.

FDP_ITC.2.5 The TSF shall enforce the following rules when importing user data controlled under the SFP from outside the TSC: *Access Control Policy or Information Flow Control Policy*.

Dependencies: [FDP_ACC.1 Subset access control, or FDP_IFC.1 Subset information flow control]

[FTP_ITC.1 Inter-TSF trusted channel, or FTP_TRP.1 Trusted path]

FPT_TDC.1 Inter-TSF basic TSF data consistency

or

the environment shall meet the requirement “Cryptographic key generation (FCS_CKM.1)” as specified below.

FCS_CKM.1 Cryptographic key generation (RSA)

Hierarchical to: No other components.

FCS_CKM.1.1 The TSF shall *generate cryptographic keys* in accordance with a specified cryptographic key generation *algorithm rsagen1* and specified cryptographic key sizes *1024 - 2048 bits* that meet the following *standard*:
[EESSI], chapter 6.2.2.1

Note that key lengths below 1024 bit are not included in the certificate as the key length is subject of the German national recommendations.

Dependencies: [FCS_CKM.2 Cryptographic key distribution or FCS_COP.1 Cryptographic operation]
FCS_CKM.4 Cryptographic key destruction
FMT_MSA.2 Secure security attributes

Remark: Cryptographic keys for the RSA algorithm can either be generated in the TOE or in the environment. If they are generated in the environment they have to be imported into the TOE.

The environment shall meet the requirement “Cryptographic key destruction (FCS_CKM.4)” as specified below.

FCS_CKM.4 Cryptographic key destruction

Hierarchical to: No other components.

FCS_CKM.4.1 The TSF shall destroy cryptographic keys in accordance with a specified cryptographic key destruction method *change key and change key with certificate verification* that meets the following *standard*:
ISO/IEC 7816.

Dependencies: [FDP_ITC.1 Import of user data without security attributes or FDP_ITC.2 Import of user data with security attributes or FCS_CKM.1 Cryptographic key generation]
FMT_MSA.2 Secure security attributes

The environment shall meet the requirement “Secure security attributes (FMT_MSA.2)” as specified below.

FMT_MSA.2 Secure security attributes

Hierarchical to: No other components.

FMT_MSA.2.1 The TSF shall ensure that only secure values are accepted for security attributes.

Dependencies: ADV_SPM.1 Informal TOE security policy model
[FDP_ACC.1 Subset access control or FDP_IFC.1 Subset information flow control]
FMT_MSA.1 Management of security attributes
FMT_SMR.1 Security roles

Note: The TOE can be delivered without the RSA library. In this case the TOE does not provide the Additional Specific Security Functionality Rivest-Shamir-Adleman Cryptography (RSA) and the IT environment has not to fulfil the requirements of this chapter.

5.2.1.4 EC

The environment shall meet the requirement “Import of user data without security attributes FDP_ITC.1)” as specified below.

FDP_ITC.1 Import of user data without security attributes

Hierarchical to: No other components.

FDP_ITC.1.1 The TSF shall enforce the *Access Control Policy or Information Flow Control Policy* when importing user data, controlled under the SFP, from outside of the TSC.

FDP_ITC.1.2 The TSF shall ignore any security attributes associated with the user data when imported from outside the TSC.

FDP_ITC.1.3 The TSF shall enforce the following rules when importing user data controlled under the SFP from outside the TSC: *Data Access Control Policy or Information Flow Control Policy*.

Dependencies: [FDP_ACC.1 Subset access control, or FDP_IFC.1 Subset information flow control]

FMT_MSA.3 Static attribute initialisation

Or

the environment shall meet the requirement “Import of user data with security attributes FDP_ITC.2)” as specified below.

FDP_ITC.2 Import of user data without security attributes

Hierarchical to: No other components.

FDP_ITC.2.1 The TSF shall enforce the *Access Control Policies or Information Flow Control Policies* when importing user data, controlled under the SFP, from outside of the TSC.

FDP_ITC.2.2 The TSF shall ensure that the protocol used provides for the unambiguous association between the security attributes and the user data received.

FDP_ITC.2.3 The TSF shall ensure that interpretation of the security attributes of the imported user data is as intended by the source of the user data.

FDP_ITC.2.4 The TSF shall use the security attributes associated with the imported user data.

FDP_ITC.2.5 The TSF shall enforce the following rules when importing user data controlled under the SFP from outside the TSC: *Access Control Policy or Information Flow Control Policy*.

Dependencies: [FDP_ACC.1 Subset access control, or FDP_IFC.1 Subset information flow control]

[FTP_ITC.1 Inter-TSF trusted channel, or FTP_TRP.1 Trusted path]

FPT_TDC.1 Inter-TSF basic TSF data consistency

or

The environment shall meet the requirement “Cryptographic key generation (FCS_CKM.1)” as specified below.

FCS_CKM.1 Cryptographic key generation (ECDSA)

Hierarchical to: No other components.

FCS_CKM.1.1 The TSF shall generate cryptographic keys in accordance with a specified cryptographic key generation algorithm *specified in [ANSIX9.62]* and specified cryptographic key sizes *192 - 521 bits* that meet the following *standard ANSIX9.62-2005, chapter A.4.3*

Dependencies: [FCS_CKM.2 Cryptographic key distribution or FCS_COP.1 Cryptographic operation]

FCS_CKM.4 Cryptographic key destruction

FMT_MSA.2 Secure security attributes

Remark: Cryptographic keys for the ECDSA algorithm can either be generated in the TOE or in the environment. If they are generated in the environment they have to be imported into the TOE.

The environment shall meet the requirement “Cryptographic key destruction (FCS_CKM.4)” as specified below.

FCS_CKM.4 Cryptographic key destruction

Hierarchical to: No other components.

FCS_CKM.4.1 The TSF shall destroy cryptographic keys in accordance with a specified cryptographic key destruction method *change key and change key with certificate verification* that meets the following *standard: ISO/IEC 7816.*

Dependencies: [FDP_ITC.1 Import of user data without security attributes or FDP_ITC.2 Import of user data with security attributes or FCS_CKM.1 Cryptographic key generation]

FMT_MSA.2 Secure security attributes

The environment shall meet the requirement “Secure security attributes (FMT_MSA.2)” as specified below.

FMT_MSA.2 Secure security attributes

Hierarchical to: No other components.

FMT_MSA.2.1 The TSF shall ensure that only secure values are accepted for security attributes.

Dependencies: ADV_SPM.1 Informal TOE security policy model

[FDP_ACC.1 Subset access control or FDP_IFC.1 Subset information flow control]

FMT_MSA.1 Management of security attributes

FMT_SMR.1 Security roles

Note: The TOE can be delivered without the EC library. In this case the TOE does not provide the Additional Specific Security Functionality Elliptic Curve Cryptography (ECC) and the IT environment has not to fulfil the requirements of this chapter.

5.2.1.5 Secure Hash Algorithm (SHA-2)

Since the SHA-2 cryptography is a keyless operation no special requirements for the environment, as required for key generation, key destruction and security attributes, are required.

5.2.1.6 Security requirements for the IT Environment resulting from FCS_CKM.1

The security functional requirement “Cryptographic key generation (FCS_CKM.1)” met by TOE has the following dependencies

- [FDP_CKM.2 Cryptographic key distribution or
- FCS_COP.1 Cryptographic operation],
- FCS_CKM.4 Cryptographic key destruction,
- FMT_MSA.2 Secure security attributes.

FCS_COP.1 is fulfilled by the TOE. FCS_CKM.4 and FMT_MSA.2 has to be fulfilled by the environment as described above for the RSA and EC algorithm.

Note: The cryptographic libraries RSA, EC and SHA-2 are delivery options. Therefore the TOE may come with free combinations of or without these libraries. In the case of coming without one or any combination of these libraries the TOE does not provide the Additional Specific Security Functionality Rivest-Shamir-Adleman Cryptography (RSA) and/or Elliptic Curve Cryptography (EC).

5.2.2 Security Requirements for the Non-IT-Environment

In the following security requirements for the Non-IT-Environment are defined. For the development of the Smartcard Embedded Software (in Phase 1) the requirement RE.Phase-1 is valid.

RE.Phase-1 Design and Implementation of the Smartcard Embedded Software

The developers shall design and implement the Smartcard Embedded Software in such way that it meets the requirements from the following documents: (i) hardware data sheet for the TOE, (ii) TOE application notes, and (iii) findings of the TOE evaluation reports relevant for the Smartcard Embedded Software.

The developers shall implement the Smartcard Embedded Software in a way that it protects security relevant User Data (especially cryptographic keys) as required by the security needs of the specific application context.

The responsible parties for the Phases 4-6 are required to support the security of the TOE by appropriate measures:

RE.Process-Card Protection during Packaging, Finishing and Personalisation

The Card Manufacturer (after TOE Delivery up to the end of Phase 6) shall use adequate security measures to maintain confidentiality and integrity of the TOE and of its manufacturing and test data (to prevent any possible copy, modification, retention, theft or unauthorised use).

The Smartcard Embedded Software shall meet the requirements "Cipher Schemas (RE.Cipher)" as specified below.

RE.Cipher Cipher Schemas

The developers of Smartcard Embedded Software must not implement routines in a way which may compromise keys when the routines are executed as part of the Smartcard Embedded Software. Performing functions which access cryptographic keys could allow an attacker to misuse these functions to gather information about the key which is used in the computation of the function.

Keys must be kept confidential as soon as they are generated. The keys must be unique with a very high probability, as well as cryptographically strong. For example, it must be ensured that it is not possible to derive the private key from a public key if asymmetric algorithms are used. If keys are imported into the TOE and/or derived from other keys, quality and confidentiality must be maintained. This implies that an appropriate key management has to be realised in the environment.

6 TOE summary specification

The product overview is given in section 2.1. In the following the security functionality is described and the relation to the security functional requirements is shown.

The TOE is equipped with 9 security enforcing functions to meet the security functional requirements. The functions are:

- SEF1: Operating state checking
- SEF2: Phase management with test mode lock-out
- SEF3: Protection against snooping
- SEF4: Data encryption and data disguising
- SEF5: Random number generation
- SEF6: TSF self test
- SEF7: Notification of physical attack
- SEF8: Memory Management Unit (MMU)
- SEF9: Cryptographic support

The following description of the security enforcing functions is a complete representation of the TSF.

6.1 SEF1: Operating state checking

Correct function of the TOE is only given in the specified range of the environmental operating parameters. To prevent an attack exploiting those circumstances it is necessary to detect if the specified range is left.

All operating signals are filtered to prevent malfunction. The FRU_FLT.2 “Limited fault tolerance” requirement is satisfied.

In addition the operating state is monitored with sensors for the operating voltage, clock signal frequency, and temperature and electro magnetic radiation. The TOE falls into the defined secure state in case of a specified range violation⁹. The defined secure state causes the chip internal reset process. The FPT_FLS.1 “Failure with preservation of secure state“-requirement is satisfied.

The parameters for the filters and sensors are set during production and not accessible by the Embedded Software after TOE finishing. Therefore, the separation between the security enforcing functions and the Embedded Software according to FPT_SEP.1 “TSF domain separation“ is satisfied.¹⁰

The data in the EEPROM are automatically monitored by the EDC. In case of an error the memory content is either corrected by the ECC (1 bit errors). In case of one and more bit errors the user can select one of several options (NMI, MI, Reset or don't care). The IC therefore is protected by this mechanism against manipulation of memory content. The FDP_SDI.2 “Stored data integrity monitoring and action” is satisfied.

⁹ The operating state checking SEF1 can only work when the TOE is running and can not prevent reverse engineering.

¹⁰ For explanation see the Protection Profile, § 133. There it is mentioned, that FPT_SEP.1 is related to FRU_FLT.2 and FPT_FLS.1 and assures that parameter for FLS and FLT can not be influenced by the Embedded Software.

In order to prevent accidental bit faults during production in the ROM, over the data stored in ROM a CRC-Checksum is calculated. The FDP_SDI.1 “Stored data integrity monitoring” is satisfied.

The covered security functional requirements are FRU_FLT.2, FPT_FLS.1, FDP_SDI.1, and FDP_SDI.2. The SEF1 does not use probabilistic or permutational effects. Since the ROM CRC and the ECC functionality are not accessible via an external interface, no direct attacks are possible. Therefore this function is not included in the SOF claim.

6.2 SEF2: Phase management with test mode lock-out

The life cycle of the TOE is split-up in several phases. Chip development and production (phase 2, 3, 4) and final use (phase 4-7) is a rough split-up from TOE point of view. These phases are implemented in the TOE as test mode (phase 2, 3, 4) and user mode (phase 1, 4-7). In addition a chip identification mode exists which is active in all phases.

During start-up of the TOE the decision for the user mode or the test mode is taken dependent on several phase identifiers (phase management). If test mode is the active phase the TOE requests authentication before any action (test mode lock-out). FMT_LIM.1 and FMT_LIM.2 are satisfied.

If the chip identification mode is requested the chip identification data (O.Identification) stored in a non modifiable EEPROM area is reported. FAU_SAS.1 “Audit storage” is satisfied.

The covered security functional requirements are FMT_LIM.1, FMT_LIM.2, and FAU_SAS.1. The test mode lock-out uses probabilistic or permutational effects and has to be included in the AVA_SOF analysis with SOF *high*.

6.3 SEF3: Protection against snooping

Several mechanisms protect the TOE against snooping the design or the user data during operation and even it is out of operation (power down).

There are topological design measures for disguise, such as the use of the top metal layer with active signals for protecting critical data. The entire design is kept in a non standard way to prevent attacks using standard analysis methods. A Smartcard dedicated CPU with a non public bus protocol is used which makes analysis complicated.

The covered security functional requirement is FPT_PHP.3 “Resistance to physical attack“ as these measures make it difficult to do the physical analysis necessary before manipulation. The protection against snooping uses probabilistic or permutational effects and has to be included in the AVA_SOF analysis with SOF *high*.

6.4 SEF4: Data encryption and data disguising

The readout of data can be controlled with the use of encryption. An attacker can not use the data obtained by espionage due to their encryption.

The memory contents of the TOE are encrypted on chip to protect against data analysis on stored data as well as on internally transmitted data. In addition the data transferred over the bus to and from (bi-directional encryption) the special SFRs (CRC, RNG, ACE, DDES) is encrypted automatically with a dynamic key change. The encryption is performed by a simple XOR but with the key change in short intervals the security level of a strong one-time pad is given.

To prevent interpretation of leaked processed or transferred information randomness is inserted in the information. In addition important parts of the CPU and the complete DES component are especially designed to counter leakage attacks like DPA or EMA. The current consumption is independent of the processed data.

In order to counter fault attacks in the RSA-calculation redundant calculations are performed. In the elliptic curve calculations countermeasures against fault attacks and SPA/DPA are implemented.

The information leakage is kept low with special design measures. An interpretation of leaked data is not possible as all the data is encrypted. The covered security functional requirements are FDP_ITT.1 "Basic internal transfer protection" and FPT_ITT.1 "Basic internal TSF data transfer protection". The encryption covers the data processing policy and FDP_IFC.1 "Subset information flow control". The SEF4 uses probabilistic or permutational effects and has to be included in the AVA_SOF analysis with SOF *high*.

6.5 SEF5: Random number generation

Random data is essential for cryptography as well as for physical security mechanisms. The TOE is equipped with a true random generator based on physical probabilistic controlled effects. The random data can be used from the Smartcard Embedded Software as well as from the security enforcing functions. It should fulfil the requirements from the functionality class P2 of [AIS31]

The generated numbers are true random due to the construction principle. The covered security functional requirement is FCS_RND.1.

The SEF5 uses a special metric as defined in [AIS31]. It has to be included in the AVA_SOF analysis with SOF *high*.

6.6 SEF6: TSF self test

The TSF of the TOE has either a hardware controlled self test which can be started from the Smartcard Embedded Software by a RMS function call or can be tested directly from the Smartcard Embedded Software for the active shield. The tested security enforcing functions are SEF1, SEF5 and SEF7.

As any attempt to modify the sensor devices will be detected from the test, the covered security functional requirement is FPT_TST.2. The TSF self test does not use probabilistic or permutational effects.

6.7 SEF7: Notification of physical attack

The entire surface of the TOE is protected with the active shield. Attacks over the surface are detected when the shield lines are cut or get contact.

The attempt to use an opened device will be detected. The covered security functional requirement is FPT_PHP.3. Especially manipulation and the usage of galvanic contacts to gain information on the chip or the data are covered of this security enforcing function. The SEF7 "Notification of physical attack" does not use probabilistic or permutational effects.

6.8 SEF8: Memory Management Unit (MMU)

The MMU in the TOE gives the Smartcard Embedded Software the possibility to define different access rights for memory areas and components. In case of an access violation the MMU will generate a non maskable interrupt (NMI). Then an interrupt service routine (ISR) can react on the access violation.

The MMU is used to map the logical address range of 64 kByte in the 8051 architecture to the physical memory range of 16 MByte and to control access to the component's special function registers. The MMU provides the privileged system mode (at interrupt level) and the regular application mode. Both modes own four descriptors for data access and four descriptors for code access. The descriptor table defines the physical base address and the length of the memory range

in 256 byte granularity which will be used for the logical to physical address translation. Two additional registers contain the access information of the component's SFR. Access violation is caused if the physical address is not in the range defined from the descriptor. The reaction on access violation is a non maskable interrupt (NMI).

If the TOE supports the Mifare™ compatible interface protocol, a special area of 1 kByte of the EEPROM is reserved and can only be accessed by the Mifare™ compatible interface Operating System. For that the MMU contains an additional data descriptor which is pre-multiplexed in Mifare™ compatible interface mode and opens access to the "Mifare™ compatible interface sector".

Only system mode has access to the descriptor table. The MMU has to be enabled as the default mode after reset is a compatibility mode without access permission (transparent mode).

As the TOE provides support for separation of memory areas the covered security functional requirements are FDP_ACC.1 as access control is provided, FDP_ACF.1 as a privileged and a regular mode exists, FMT_MSA.3 is covered from the initial (transparent) mode, FMT_MSA.1 is covered from the possibility to enable the MMU and FMT_SMF.1 is covered from the access to the special function register. The SEF8 "Memory Management Unit" does not use probabilistic or permutational effects.

6.9 SEF9: Cryptographic Support

The TOE is equipped with several hardware accelerators to support the standard cryptographic operations. This security enforcing function is introduced to include the cryptographic operation in the scope of the evaluation as the cryptographic function itself is not used from the TOE security policy. On the other hand these functions are of special interest for the use of the hardware as platform for the software. The components are:

- a hardware DES encryption unit
- a combination of software and hardware unit to support RSA cryptography and RSA key generation, ECDSA signature generation and verification, ECDH key agreement and EC public key calculation and public key testing.

In addition, this TOE comes with the optional SHA-2 library for computing secure hash values. The SHA-2 cryptographic operation is keyless, whereas the key for the cryptographic 3DES operations are provided from the Smartcard Embedded Software (environment). The SHA-2 cryptographic operation is keyless.

Note also that the secure hash-algorithm SHA-2 is intended to be used for signature generation, verification and generic data integrity checks. The use for keyed hash operations like HMAC or similar security critical operations involving keys, is not subject of this TOE and requires specific security improvements and DPA analysis including the operating system, which is not part of this TOE.

As defined cryptographic operations are provided by the TOE, the covered security functional requirements are FCS_COP.1 and FCS_CKM.1 for the different cryptographic algorithms. The SHA-2 library covers FCS_COP.1 without the key related functional requirements used for the other cryptographic libraries. The SEF9 use probabilistic or permutational effects, but cryptographic algorithms are excluded from the SOF assessment. Nevertheless, regarding the implementation SEF9 has to be included in the AVA_SOF analysis with SOF high.

Note: The cryptographic libraries RSA, EC and SHA-2 are delivery options. Therefore the TOE may come with free combinations of or without these libraries. In the case of coming without one or any combination of these libraries the TOE does not provide the Additional Specific Security Functionality Rivest-Shamir-Adleman Cryptography (RSA) and/or Elliptic Curve Cryptography (EC) and/or SHA-2.

6.10 Mapping of Security Functional Requirements

The justification of the mapping between Security Functional Requirements and the Security Enforcing Functions is given in sections 6.1 to 6.9. The results are shown in Table 13. The security functional requirements are addressed by one relating security enforcing function except the security functional requirement FPT_PHP.3. The security functional requirement FPT_PHP.3 is covered from the SEF3 for the aspect of making the reverse engineering harder even if the TOE is out of operation and from SEF7 for the aspect of detecting the attempt to modify the TOE when the chip is running. The SEF3 and the SEF7 are mutually supportive to cover FPT_PHP.3.

Table 13: Mapping of SFR and SEF

	SEF 1	SEF 2	SEF 3	SEF 4	SEF 5	SEF 6	SEF 7	SEF 8	SEF 9
FAU_SAS.1		X							
FCS_RND.1					X				
FDP_IFC.1				X					
FDP_ITT.1				X					
FMT_LIM.1		X							
FMT_LIM.2		X							
FPT_FLS.1	X								
FPT_ITT.1				X					
FPT_PHP.3			X				X		
FPT_SEP.1	X								
FRU_FLT.2	X								
FPT_TST.2						X			
FDP_ACC.1								X	
FDP_ACF.1								X	
FMT_SMF.1								X	
FMT_MSA.3								X	
FMT_MSA.1								X	
FCS_COP.1 (3DES)									X
FCS_COP.1 (RSA)									X
FCS_CKM.1 (RSA)									X
FCS_COP.1 (ECDSA)									X
FCS_COP.1 (ECDH)									X
FCS_CKM.1 (EC)									X
FCS_COP.1 (SHA-2)									X
FDP_SDI.1	X								
FDP_SDI.2	X								

6.11 Assurance Measures

In Table 14 the TOE specific assurance measures are listed. These measures fulfil the requirements from Table 12

This Security Target is the first document in the course of an evaluation. The exact references (version numbers and date) of the documents are not final during the evaluation of the security target. To avoid an update of the security target at the end of the evaluation the exact references are listed in the configuration list (ACM_SCP.3) of the evaluation.

Table 14: Assurance measures

Assurance measure class	Acronym components	Document
Security Target	ASE	Security Target
Configuration management	ACM_AUT.1	Development Production (Dev_Prod)
	ACM_CAP.4	
	ACM_SCP.3	Configuration management scope (ACM_SCP)
Delivery and operation	ADO_DEL.2	Development Production (Dev_Prod)
	ADO_IGS.1	
Development	ADV_FSP.3	Functional Specification (ADV_FSP.3)
	ADV_HLD.3	High Level Design (ADV_HLD.3)
	ADV_IMP.2	Implementation (ADV_IMP.2)
	ADV_INT.1	TSF Internals (ADV_INT.1)
	ADV_LLD.1	Low Level Design (ADV_LLD.1)
	ADV_RCR.2	Representation Correspondence (ADV_RCR.2)
	ADV_SPM.3	LKW model
Guidance documents	AGD_ADM.1	Documentation (AGD)
	AGD_USR.1	
Life cycle support	ALC_DVS.2	Development Production (Dev_Prod)
	ALC_LCD.2	
	ALC_TAT.2	
Tests	ATE_COV.2	Test Documentation (ATE)
	ATE_DPT.2	
	ATE_FUN.1	
	ATE_IND.2	
Vulnerability assessment	AVA_CCA.1	Vulnerability Assessment (AVA)
	AVA_MSU.3	
	AVA_SOF.1	
	AVA_VLA.4	

7 PP claims

7.1 PP reference

This security target is conformant to the Smartcard IC Platform Protection Profile.

7.2 PP tailoring

The assignments and selections foreseen in Smartcard IC Platform Protection Profile are done here.

7.2.1 FCS_RND

The random numbers are generated from SEF5. The quality level of the random numbers is defined as functionality class P2 with SOF-high of [AIS31].

FCS_RND.1	Quality metric for random numbers
FCS_RND.1.1	The TSF shall provide a mechanism to generate random numbers that meet <i>functionality class P2 with SOF-high of [AIS31]</i> .

Additional requirements are taken from the augmentation paper to the Smartcard IC Platform Protection Profile. The requirements FDP_ITC.1, FCS_CKM.1 and FCS_CKM.4 which include open assignments and selections are requirements for the IT environment. All necessary assignments and selections are described in chapter 5.2.1.

7.3 PP additions

Additional objectives and security functional requirements are explicitly mentioned in this security target.

- Key-Function in section 3.2,
- P.Add-Functions in section 3.4.1,
- O.Add-Functions in section 4.1,
- OE.Plat-Appl and OE.Resp-Appl in section 4.2.
- FPT_TST.2, FDP_ACC.1, FDP_ACF.1, FMT_MSA.1, FMT_MSA.3, FMT_SMF.1, FCS_COP.1, FCS_CKM.1, FDP_SDI.1, and FDP_SDI.2 in section 5.1.1,
- FDP_ITC.1, FDP_ITC.2, FCS_CKM.1, FMT_MSA.2, and FCS_CKM.4 in section 5.2.1,
- RE.Cipher in section 5.2.2.

8 Rational

The rational from the Smartcard IC Platform Protection Profile is used here and it is not changed. The augmentations are designed to be compliant to the rational of the Smartcard IC Platform Protection Profile. The necessary extensions to the Smartcard IC Platform Protection Profile rational are given in the following.

8.1 Security Objectives Rationale

Table 15: Security Objective Rational

Assumption, Threat or Organisational Security Policy	Security Objective
P.Add-Functions	O.Add-Functions
A.Key-Function	OE.Plat-Appl OE.Resp-Appl

The justification related to the security objective “Additional Specific Security Functionality (O.Add-Functions)” is as follows: The organisational security policy is covered by the objective above, since O.Add-Functions requires the TOE to implement exactly the same specific security functionality as required by P.Add-Functions.

Nevertheless the security objectives O.Leak-Inherent, O.Phys-Probing, O.Malfunction, O.Phys-Manipulation and O.Leak-Forced define how to implement the specific security functionality required by P.Add-Functions. (Note that these objectives support that the specific security functionality is provided in a secure way as expected from P.Add-Functions.) Especially O.Leak-Inherent and O.Leak-Forced refer to the protection of confidential data (User Data or TSF data) in general. User Data are also processed by the specific security functionality required by P.Add-Functions.

Compared to the Smartcard IC Platform Protection Profile a clarification has been made for the security objective “Usage of Hardware Platform (OE.Plat-Appl)”: If required the Smartcard Embedded Software shall use these cryptographic services of the TOE and their interface as specified. In addition, the Smartcard Embedded Software must implement functions which perform operations on keys (if any) in such a manner that they do not disclose information about confidential data. The non disclosure due to leakage A.Key-Function attacks is included in this objective OE.Plat-Appl. This addition ensures that the assumption A.Plat-Appl is still covered by the objective OE.Plat-Appl although additional functions are being supported according to O.Add-Functions.

Compared to the Smartcard IC Platform Protection Profile a clarification has been made for the security objective “Treatment of User Data (OE.Resp-Appl)”: By definition cipher or plain text data and cryptographic keys are User Data. So, the Smartcard Embedded Software will protect such data if required and use keys and functions appropriately in order to ensure the strength of cryptographic operation. Quality and confidentiality must be maintained for keys that are imported and/or derived from other keys. This implies that appropriate key management has to be realised in the environment. That is expressed by the assumption A.Key-Function which is covered from OE.Resp-Appl. These measures make sure that the assumption A.Resp-Appl is still covered by the security objective OE.Resp-Appl although additional functions are being supported according to P.Add-Functions.

The justification of the additional policy and the additional assumption show that they do not contradict to the rationale already given in the Protection Profile for the assumptions, policy and threats defined there.

8.2 Security Requirements Rationale

8.2.1 Rationale for the security functional requirements

Cryptographic operation (FCS_COP.1)

Table 16: Rational for cryptographic operation requirement

Objective	TOE Security Functional Requirements	Security Requirements for the environment
O.Add-Functions	<ul style="list-style-type: none"> - FCS_COP.1 „Cryptographic operation“ - FCS_CKM.1 „Cryptographic key generation“ 	RE.Phase-1 “Design and Implementation of the Smartcard Embedded Software” with RE.Cipher
OE.Plat-Appl		RE.Phase.1 RE.Cipher
OE.Resp-Appl		RE.Phase.1 RE.Cipher FDP_ITC.1 or FDP_ITC.2 (for 3DES, RSA and EC) FCS_CKM.1 (for 3DES, and optional for RSA and EC) FCS_CKM.4 (for 3DES, RSA and EC) FMT_MSA.2 (for 3DES, RSA and EC)

The justification related to the security objective “Additional Specific Security Functionality (O.Add-Functions)” is as follows:

The security functional requirement(s) “Cryptographic operation (FCS_COP.1)” exactly requires those functions to be implemented which are demanded by O.Add-Functions. FCS_CKM.1 supports the generation of 3DES, EC and RSA keys needed for the cryptographic operations. FCS_COP.1 is fulfilled by SHA-2, whereas FCS_CKM.1 is not required by the hash operation. Therefore, FCS_COP.1 and FCS_CKM.1 are suitable to meet the security objective.

Nevertheless, the developer of the Smartcard Embedded Software must ensure that the additional functions are used as specified and that the User Data processed by these functions are protected as defined for the application context. These issues are addressed by the requirement RE.Phase-1 and more specific by the security functional requirements

- [FDP_ITC.1 Import of user data without security attributes or FDP_ITC.2 Import of user data with security attributes or FCS_CKM.1 Cryptographic key generation],
- FCS_CKM.4 Cryptographic key destruction,
- FMT_MSA.2 Secure security attributes

to be met by the environment. All these requirements have to be fulfilled to support OE.Resp-Appl for the 3DES algorithm. For the RSA and the EC algorithms FCS_CKM.1 is optional, since it is fulfilled by the TOE. Nevertheless the user can generate keys additionally.

For the SHA-2 library all of the above listed requirements - with the exception of FCS_COP.1 - do not apply, since it is a keyless cryptographic operation.

The security functional requirements required to meet the security objectives O.Leak-Inherent, O.Phys-Probing, O.Malfunction, O.Phys-Manipulation and O.Leak-Forced define how to implement the specific security functionality. However, key-dependent functions could be implemented in the Smartcard Embedded Software. In this case RE.Cipher requires that these functions ensure that confidential data (User Data) can not be disclosed while they are just being processed by the Smartcard Embedded Software. Therefore, with respect to the Smartcard Embedded Software the issues addressed by the objectives just mentioned are addressed by the requirement RE.Cipher.

The usage of cryptographic algorithms requires the use of appropriate keys. Otherwise these cryptographic functions do not provide security. The requirement RE.Cipher addresses these specific issues since cryptographic keys and other data are provided by the Smartcard Embedded Software. RE.Cipher requires that keys must be kept confidential. They have to be unique with a very high probability, and must have a certain cryptographic strength etc. In case of a key import into the TOE (which is usually after TOE delivery) it has to be ensured that quality and confidentiality are maintained. Keys for 3DES are provided by the environment. Keys for RSA and EC can be provided either by the TOE or the environment. Therefore, with respect to the environment the issues addressed (i) by the objectives just mentioned and (ii) implicitly by O.Add-Functions are addressed by the requirement RE.Cipher.

In this ST the objectives for the environment OE.Plat-Appl and OE.Resp-Appl have been clarified. The requirement for the environment Re.Cipher has been introduced to cover the objectives OE.Plat-Appl and OE.Resp-Appl (in addition to O.Add-Functions). The Smartcard Embedded Software defines the use of the cryptographic functions FCS_COP.1 provided by the TOE. RE.Phase-1, which is assigned to OE.Resp-Appl in the Smartcard IC Platform Protection Profile, requires the Smartcard Embedded Software Developer to design and implement the software that it protects security relevant User Data (especially cryptographic keys). The requirements for the environment FDP_ITC.1, FDP_ITC.2, FCS_CKM.1, FCS_CKM.4, and FMT_MSA.2 support an appropriate key management. These security requirements are suitable to meet OE.Resp-Appl.

The justification of the security objective and the additional requirements (both for the TOE and its environment) show that they do not contradict to the rationale already given in the Protection Profile for the assumptions, policy and threats defined there.

Subset TOE security testing (FPT_TST.2)

Table 17: Rational for subset TOE security testing requirement

Objective	TOE Security Functional Requirements	Security Requirements for the environment
O.Phys-Manipulation	- FPT_TST.2 „ Subset TOE security testing “	

The security functional component Subset TOE security testing (FPT_TST.2) has been newly created (Common Criteria Part2 extended). This component allows that particular parts of the security mechanisms and functions provided by the TOE can be tested after TOE Delivery. This security functional component is used instead of the functional component FPT_TST.1 from Common Criteria Part 2. For the user it is important to know which security functions or mechanisms can be tested. The functional component FPT_TST.1 does not mandate to explicitly specify the security functions being tested. In addition, FPT_TST.1 requires the verification of the integrity of TSF data and stored TSF executable code which might violate the security policy.

The tested security enforcing function is SEF1, SEF5 and SEF7.

The security functional requirement FPT_TST.2 will detect attempts to conduct a physical manipulation on the monitoring functions of the TOE. The objective of FPT_TST.2 is O.Phys-Manipulation. The physical manipulation will be tried to overcome security enforcing functions.

Memory Access Control Policy

Table 18: Rational for Memory Access Control Policy requirement

Objective	TOE Security Functional Requirements	Security Requirements for the environment
O.Add-Functions	<ul style="list-style-type: none"> - FDP_ACC.1 "Subset access control" - FDP_ACF.1 "Security attribute based access control" - FMT_MSA.3 "Static attribute initialisation" - FMT_MSA.1 "Management of security attributes" - FMT_SMF.1 "Specification of Management Functions" 	RE.Phase-1 "Design and Implementation of the Smartcard Embedded Software"

The justification related to the security objective "Additional Specific Security Functionality (O.Add-Functions)" is as follows:

The security functional requirement "Subset access control (FDP_ACC.1)" with the related Security Function Policy (SFP) "Memory Access Control Policy" exactly require the implementation of an area based memory access control, which is demanded by O.Add-Functions. Therefore, FDP_ACC.1 with its SFP is suitable to meet the security objective.

Nevertheless, the developer of the Smartcard Embedded Software must ensure that the additional functions are used as specified and that the User Data processed by these functions are protected as defined for the application context. These issues are addressed by the requirement RE.Phase-1. The TOE only provides the tool to implement the policy defined in the context of the application.

Integrity monitoring (FDP_SDI.1)

Table 19: Rational for integrity check requirement

Objective	TOE Security Functional Requirements	Security Requirements for the environment
O.Malfunction	- FDP_SDI.1 „Stored data integrity monitoring “	

The justification related to the security objective "Protection against Malfunction due to Environmental Stress (O.Malfunction)" is as follows:

The security functional requirement "Stored data integrity monitoring (FDP_SDI.1)" requires the implementation of a CRC checksum algorithm which detects integrity errors of the data stored in the memory. By this malfunction of the TOE by using corrupt data is prevented. Therefore FDP_SDI.1 is suitable to meet the security objective.

Integrity monitoring and action (FDP_SDI.2)

Table 20: Rational for integrity check requirement

Objective	TOE Security Functional Requirements	Security Requirements for the environment
O.Malfunction	- FDP_SDI.2 „Stored data integrity monitoring and action“	

The justification related to the security objective “Protection against Malfunction due to Environmental Stress (O.Malfunction)” is as follows:

The security functional requirement “Stored data integrity monitoring and action (FDP_SDI.2)” requires the implementation of a EDC error detection mechanism which detects integrity errors of the data stored in the memory and a ECC error correction mechanism which corrects one bit errors and informs about more bit errors. By this malfunction of the TOE by using corrupt data is prevented. Therefore FDP_SDI.2 is suitable to meet the security objective.

8.2.2 Dependencies of security functional requirements

Table 21: Dependency for cryptographic operation requirement

Security Functional Requirement	Dependencies	Fulfilled by security requirements
FCS_COP.1 (3DES)	FCS_CKM.1	Yes (by the environment)
	FDP_ITC.1 or FDP_ITC.2 (if not FCS_CKM.1) FCS_CKM.4 FMT_MSA.2	Yes (by the environment)
FCS_COP.1 (RSA)	FCS_CKM.1	Yes (additionally it can be fulfilled by the environment)
	FDP_ITC.1 or FDP_ITC.2 (if not FCS_CKM.1) FCS_CKM.4 FMT_MSA.2	Yes (by the environment)
FCS_CKM.1 (RSA)	FCS_COP.1 (or FCS_CKM.2)	Yes
	FCS_CKM.4 FMT_MSA.2	Yes (by the environment)
FCS_COP.1 (ECDSA)	FCS_CKM.1	Yes (additionally it can be fulfilled by the environment)
	FDP_ITC.1 or FDP_ITC.2 (if not FCS_CKM.1) FCS_CKM.4 FMT_MSA.2	Yes (by the environment)
FCS_CKM.1 (EC)	FCS_COP.1 (or FCS_CKM.2)	Yes
	FCS_CKM.4 FMT_MSA.2	Yes (by the environment)
FCS_COP.1 (ECDH)	FCS_CKM.1	Yes (additionally it can be fulfilled by the environment)
	FDP_ITC.1 or FDP_ITC.2 (if not FCS_CKM.1) FCS_CKM.4 FMT_MSA.2	Yes (by the environment)

The dependencies FCS_CKM.1 (for 3DES), FDP_ITC.1 or FDP_ITC.2, FCS_CKM.4 and FMT_MSA.2 must be covered from the environment (the smartcard embedded software) and are addressed additionally by the requirement RE.Cipher. The dependencies FCS_CKM.1 (for RSA and EC) have to be fulfilled by the TOE. In addition the environment can fulfil it.

For the SHA-2 all of the above listed requirements and dependencies do not apply since it is a keyless cryptographic operation.

Table 22: Dependency for subset TOE security testing requirement

Security Functional Requirement	Dependencies	Fulfilled by security requirements
FPT_TST.2	FPT_AMT.1	See discussion below

The following discussion demonstrates how the dependencies defined by Part 2 of the Common Criteria for the requirement FPT_TST.2 are satisfied. The dependency defined in the Common Criteria is Abstract machine testing (FPT_AMT.1).

Part 2 of the Common Criteria explains that the term »underlying abstract machine« typically refers to the hardware components upon which the TSF has been implemented. However, the phrase can also be used to refer to an underlying, previously evaluated hardware and software combination behaving as a virtual machine upon which the TSF relies.“

The TOE is already a platform representing the lowest level in a Smartcard. There is no lower or »underlying abstract machine« used by the TOE which can be tested. There is no need to perform testing according to FPT_AMT.1 and the dependency in the requirement FPT_TST.2 is therefore considered to be satisfied.

Table 23: Dependency for Memory Access Control Policy requirement

Security Functional Requirement	Dependencies	Fulfilled by security requirements
FDP_ACC.1	FDP_ACF.1	Yes
FDP_ACF.1	FDP_ACC.1 FMT_MSA.3	Yes Yes
FMT_MSA.3	FMT_MSA.1 FMT_SMR.1	Yes See discussion below
FMT_MSA.1	FDP_ACC.1 or FDP_IFC.1 FMT_SMR.1 FMT_SMF.1	Yes See discussion below Yes
FMT_SMF.1	none	N/A

The dependency FMT_SMR.1 introduced by the two components FMT_MSA.1 and FMT_MSA.3 is considered to be satisfied because the access control specified for the intended TOE is not role-based but enforced for each subject. Therefore, there is no need to identify roles in form of a security functional requirement FMT_SMR.1.

Table 24: Dependency for integrity monitoring requirements

Security Functional Requirement	Dependencies	Fulfilled by security requirements
FDP_SDI.1	none	N/A
FDP_SDI.2	none	N/A

FDP_SDI.1 and FDP_SDI.2 have no dependencies which had to be satisfied.

8.2.3 Rationale for the Assurance Requirements and the Strength of Function Level

The chosen assurance level EAL 5 augmented determines the assurance requirements. In Table 12: the different assurance levels are shown as well as the augmentations. The augmentations are not changed compared to the Protection Profile

The assurance level EAL5 and the augmentation with the requirements ALC_DVS.2, AVA_MSU.3, and AVA_VLA.4 were chosen in order to meet assurance expectations. An assurance level of EAL5 is required for this type of TOE since it is intended to defend against highly sophisticated attacks without a protected environment. This evaluation assurance level was selected since it provides even formal evidence on the conducted vulnerability assessment. In order to provide a meaningful level of assurance that the TOE provides an adequate level of defence against such attacks, the evaluators have access to all information regarding the TOE including the low level design and source code.

The rational for the strength of function level from the Smartcard IC Platform Protection Profile is used as the level is not changed.

8.3 Security Requirements are Mutually Supportive and Internally Consistent

In addition to the discussion in section 7.3 of the Smartcard IC Platform Protection Profile the security functional requirement FCS_COP.1 is introduced. The security functional requirements required to meet the security objectives O.Leak-Inherent, O.Phys-Probing, O.Malfunction, O.Phys-Manipulation and O.Leak-Forced also protect the cryptographic algorithms implemented according to the security functional requirement FCS_COP.1. Therefore, these security functional requirements support the secure implementation and operation of FCS_COP.1.

The security functional requirements required to meet the security objectives O.Leak-Inherent, O.Phys-Probing, O.Malfunction, O.Phys-Manipulation and O.Leak-Forced also protect the self-test functions implemented according to the security functional requirement FPT_TST.2. Therefore, these security functional requirements support the secure implementation and operation of FPT_TST.2.

The requirement FPT_TST.2 allows testing of some security mechanisms including the correct operation of the sensors after delivery. These tests can be executed by the Smartcard Embedded Software. This is not in contradiction to the requirement FPT_SEP.1 (see refinement in PP: sensors should be protected from interference of the Smartcard Embedded Software) since the Smartcard Embedded Software only executes the test. The test is implemented in the TOE and there is no possibility to influence the sensors itself.

The security functional requirements required to meet the security objectives O.Leak-Inherent, O.Phys-Probing, O.Malfunction, O.Phys-Manipulation and O.Leak-Forced also protect the area based memory access control function implemented according to the security functional requirement described in the security functional requirement FDP_ACC.1 with reference to the Memory Access Control Policy and details given in FDP_ACF.1. Therefore, those security functional requirements

support the secure implementation and operation of FDP_ACF.1 with its dependent security functional requirements.

The requirement FDP_SDI.1 and FDP_SDI.2 allow detection of integrity errors of data stored in memory. FDP_SDI.2 in addition allows correction of one bit errors. Both meet the security objective O.Malfunction. The requirements FRU_FLT.2, FPT_FLS.1, and FPT_SEP.1 which also meet this objective are independent from FDP_SDI.1 and FDP_SDI.2 since they deal with the sensors monitoring the operating state and not the memory content directly.

9 References

9.1 Documents and User Guidance

Table 25: User guidance

[Status]	Status report, List of all available user guidance including application notes
[DataBook]	Data Book,SLE66CL(X)xxxPE(M/S), confidential
[ErrSh]	SLE 66CL(X)xxxPE(M/S) - Errata and Delta Sheet - Products and Bondouts
[RSA_LIB]	RSA Support SLE66CXxxPE, RSA Interface Specification for Library v1.6 RSA Support SLE66C(L)XxxxPE, ArithmeticLib
[EC_LIB]	Elliptic Curve GF(P) Support SLE66C(L)XxxxPE Interface Specification, EC-Library
[SHA-2_LIB]	SLE66CL(L)xxPE Secure Hash Algorithm SHA-2 (SHA 256/224, SHA 512/384)

Versions of these documents will be defined at the end of the evaluation and listed in the certification report

9.2 Literature

Table 26: Table of Criteria

[ProtectionProfile]	Smartcard IC Platform Protection Profile	BSI-PP-0002; Version 1.0, July 2001
[AIS31]	Functionality classes and evaluation methodology for physical random number generators	AIS31, Version1, 25.9.2001
[ANSIX9.62]	ANSI standard	ANSIX9.62-2005, chapter 7.3 and 7.4.1
[EESSI]	Algorithms and Parameters for Secure Electronic Signatures	ETSI TS 102 176-1 V2.0.0 (2007-11)

9.3 List of abbreviations

AIS31	“Anwendungshinweise und Interpretationen zu ITSEC und CC Funktionalitaetsklassen und Evaluationsmethodologie fuer physikalische Zufallszahlengeneratoren”
API	Application Programming Interface
CC	Common Criteria
CI	Chip Identification Mode (STS-CI)
CIM	Chip Identification Mode (STS-CI), same as CI
CPU	Central Processing Unit
CRC	Cyclic Redundancy Check
DPA	Differential Power Analysis

DFA	Differential Failure Analysis
EC	Elliptic Curve
ECC	Error Correction Code or Elliptic Curve Cryptography
ECDH	EC Diffie-Hellman
ECDSA	EC Digital Signature Algorithm
EDC	Error Detection Code
EEPROM	Electrically Erasable and Programmable Read Only Memory
EMA	Electro magnetic analysis
HW	Hardware
IC	Integrated Circuit
ID	Identification
I/O	Input/Output
IRAM	Internal Random Access Memory
ITSEC	Information Technology Security Evaluation Criteria
M	Mechanism
MED	Memory Encryption and Decryption
MMU	Memory Management Unit
O	Object
OS	Operating system
VPLL	Virtual Phase Locked Loop
PCD	Proximity Coupling Device
PICC	proximity integrated chip card
PROM	Programmable Read Only Memory
RAM	Random Access Memory
RMS	Resource Management System
RNG	Random Number Generator
ROM	Read Only Memory
S	Subject
SF	Security function
SFR	Special Function Register, as well as Security Functional Requirement
	The specific meaning is given in the context
SPA	Simple power analysis
STS	Self Test Software
SW	Software
SO	Security objective
T	Threat
TM	Test Mode (STS)
TOE	Target of Evaluation

TSC	TOE Security Functions Control
UM	User Mode (STS)
XRAM	eXtended Random Access Memory

9.4 Glossary

Application Program/Data	Software which implements the actual TOE functionality provided for the user or the data required for that purpose
Central Processing Unit	Logic circuitry for digital information processing
Chip	Integrated Circuit]
Chip Identification Data	Data stored in the EEPROM containing the chip type, lot number (including the production site), die position on wafer and production week and data stored in the ROM containing the STS version number
Chip Identification Mode	Operational status phase of the TOE, in which actions for identifying the individual chip by transmitting the Chip Identification Data take place
Controller	IC with integrated memory, CPU and peripheral devices
Cyclic Redundancy Check	Process for calculating checksums for error detection
Electrically Erasable and Programmable Read Only Memory (EEPROM)	Non-volatile memory permitting electrical read and write operations
End User	Person in contact with a TOE who makes use of its operational capability
Firmware	Part of the software implemented as hardware
Hardware	Physically present part of a functional system (item)
Integrated Circuit	Component comprising several electronic circuits implemented in a highly miniaturized device using semiconductor technology
Internal Random Access Memory	RAM integrated in the CPU
Mechanism	Logic or algorithm which implements a specific security function in hardware or software
Memory Encryption and Decryption	Method of encoding/decoding data transfer between CPU and memory
Memory	Hardware part containing digital information (binary data)
Microprocessor	CPU with peripherals
Object	Physical or non-physical part of a system which contains information and is acted upon by subjects
Operating System	Software which implements the basic TOE actions necessary for operation
Programmable Read Only Memory	Non-volatile memory which can be written once and then only permits read operations

Random Access Memory	Volatile memory which permits write and read operations
Random Number Generator	Hardware part for generating random numbers
Read Only Memory	Non-volatile memory which permits read operations only
Resource Management System	Part of the firmware containing EEPROM programming routines, AIS31 testbench etc.
Self Test Software	Part of the firmware with routines for controlling the operating state and testing the TOE hardware
Security Function	Part(s) of the TOE used to implement part(s) of the security objectives
Security Target	Description of the intended state for countering threats
Smart Card	Plastic card in credit card format with built-in chip
Software	Information (non-physical part of the system) which is required to implement functionality in conjunction with the hardware (program code)
Subject	Entity, generally in the form of a person, who performs actions
Target of Evaluation	Product or system which is being subjected to an evaluation
Test Mode	Operational status phase of the TOE in which actions to test the TOE hardware take place
Threat	Action or event that might prejudice security
User Mode	Operational status phase of the TOE in which actions intended for the user takes place

10 Definition of the Security Functional Component FPT_TST.2

The following additions are made to „TSF self test (FPT_TST)“ in Common Criteria:

Component levelling



FPT_TST.1 TSF testing provides the ability to test the TSF’s correct operation. These tests may be performed at start-up, periodically, at the request of the authorised user, or when other conditions are met. It also provides the ability to verify the integrity of TSF data and executable code.

FPT_TST.2 Subset TOE security testing, provides the ability to test the correct operation of particular security functions or mechanisms. These tests may be performed at start-up, periodically, at the request of the authorised user, or when other conditions are met. It also provides the ability to verify the integrity of TSF data and executable code.

The security functional component family “Subset TOE testing (FPT_TST.2)” is specified as follows.

FPT_TST.2	Subset TOE testing
Hierarchical to:	No other components.
FPT_TST.2.1	The TSF shall run a suite of self tests [selection: during initial start-up, periodically during normal operation, at the request of the authorised user, and/or at the conditions [assignment: conditions under which self test should occur] to demonstrate the correct operation of [assignment: functions and/or mechanisms].
Dependencies:	FPT_AMT.1 Abstract machine testing