



TÜRK STANDARDLARI ENSTİTÜSÜ

BİLİŞİM TEKNOLOJİLERİ TEST VE BELGELENDİRME DAİRESİ BAŞKANLIĞI  
CCCS CERTIFICATION REPORT



# Certification Report

**EAL 2 Evaluation of**

**Boer Bilişim San. ve Tic. A.Ş.**

**Boer Product Classification and Automation Software v1.0**

issued by

**Turkish Standards Institution**

**Common Criteria Certification Scheme**

*Certificate Number: 21.0.03/TSE-CCCS-66*



BİLİŞİM TEKNOLOJİLERİ TEST VE BELGELENDİRME DAİRESİ BAŞKANLIĞI  
CCCS CERTIFICATION REPORT

## TABLE OF CONTENTS

TABLE OF CONTENTS .....	2
DOCUMENT INFORMATION .....	3
DOCUMENT CHANGE LOG .....	3
DISCLAIMER .....	3
FOREWORD .....	4
RECOGNITION OF THE CERTIFICATE.....	5
1 EXECUTIVE SUMMARY .....	6
2 CERTIFICATION RESULTS.....	8
2.1 IDENTIFICATION OF TARGET OF EVALUATION .....	8
2.2 SECURITY POLICY .....	9
2.3 ASSUMPTIONS AND CLARIFICATION OF SCOPE .....	9
2.4 ARCHITECTURAL INFORMATION .....	9
2.5 DOCUMENTATION .....	10
2.6 IT PRODUCT TESTING.....	10
2.7 EVALUATED CONFIGURATION.....	11
2.8 RESULTS OF THE EVALUATION .....	12
2.9 COMMENTS / RECOMMENDATIONS.....	12
3 SECURITY TARGET.....	14
4 GLOSSARY .....	14
5 BIBLIOGRAPHY .....	14
6 ANNEXES .....	15



BİLİŞİM TEKNOLOJİLERİ TEST VE BELGELENDİRME DAİRESİ BAŞKANLIĞI  
CCCS CERTIFICATION REPORT

## Document Information

<b>Date of Issue</b>	18.06.2020
<b>Approval Date</b>	23.06.2020
<b>Certification Report Number</b>	21.0.03/20-003
<b>Sponsor and Developer</b>	BOER Bilişim San. ve Tic. A.Ş.
<b>Evaluation Facility</b>	CERTBY Uluslararası Denetim Belg. ve Eğitim Hizm. Ltd. Şti.
<b>TOE</b>	Boer Product Classification and Automation Software v1.0
<b>Pages</b>	15

<b>Prepared by</b>	İbrahim Halil KIRMIZI	
<b>Reviewed by</b>	Halime Eda BİTLİSLİ ERDİVAN	

This report has been prepared by the Certification Expert and reviewed by the Technical Responsible of which signatures are above.

## Document Change Log

Release	Date	Pages Affected	Remarks/Change Reference
1.0	18.06.2020	All	First Release

## DISCLAIMER

This certification report and the IT product defined in the associated Common Criteria document has been evaluated at an accredited and licensed evaluation facility conformant to Common Criteria for IT Security Evaluation, *version 3.1, revision 5*, using Common Methodology for IT Products Evaluation, *version 3.1, revision 5*. This certification report and the associated Common Criteria document apply only to the identified version and release of the product in its evaluated configuration. Evaluation has been conducted



## BİLİŞİM TEKNOLOJİLERİ TEST VE BELGELENDİRME DAİRESİ BAŞKANLIĞI CCCS CERTIFICATION REPORT

in accordance with the provisions of the CCCS, and the conclusions of the evaluation facility in the evaluation report are consistent with the evidence adduced.

### FOREWORD

The Certification Report is drawn up to submit the Certification Commission the results and evaluation information upon the completion of a Common Criteria evaluation service performed under the Common Criteria Certification Scheme. Certification Report covers all non-confidential security and technical information related with a Common Criteria evaluation which is made under the ITCD Common Criteria Certification Scheme. This report is issued publicly to and made available to all relevant parties for reference and use.

The Common Criteria Certification Scheme (CCCS) provides an evaluation and certification service to ensure the reliability of Information Security products. Evaluation and tests are conducted by a public or commercial Common Criteria Evaluation Facility (CCTL = Common Criteria Testing Laboratory) under CCCS' supervision.

CCTL is a facility, licensed as a result of inspections carried out by CCCS for performing tests and evaluations which will be the basis for Common Criteria certification. As a prerequisite for such certification, the CCTL has to fulfill the requirements of the standard ISO/IEC 17025 and should be accredited by accreditation bodies. The evaluation and tests related with the concerned product have been performed by *CERTBY Uluslararası Denetim Belg. ve Eğitim Hizm. Ltd. Şti.*, which is a public/commercial CCTL.

A Common Criteria Certificate given to a product means that such product meets the security requirements defined in its security target document that has been approved by the CCCS. The Security Target document is where requirements defining the scope of evaluation and test activities are set forth. Along with this certification report, the user of the IT product should also review the security target document in order to understand any assumptions made in the course of evaluations, the environment where the IT product will run, security requirements of the IT product and the level of assurance provided by the product.

This certification report is associated with the Common Criteria Certificate issued by the CCCS for *Boer Product Classification and Automation Software v1.0* whose evaluation was completed on 29.04.2020 and with the Security Target document with version no 2.0 of the relevant product.



**BİLİŞİM TEKNOLOJİLERİ TEST VE BELGELENDİRME DAİRESİ BAŞKANLIĞI**  
**CCCS CERTIFICATION REPORT**

The certification report, certificate of product evaluation and security target document are posted on the ITCD Certified Products List at [bilisim.tse.org.tr](http://bilisim.tse.org.tr) portal and the Common Criteria Portal (the official web site of the Common Criteria Project).

## **RECOGNITION OF THE CERTIFICATE**

The Common Criteria Recognition Arrangement logo is printed on the certificate to indicate that this certificate is issued in accordance with the provisions of the CCRA.

The CCRA has been signed by the Turkey in 2003 and provides mutual recognition of certificates based on the CC evaluation assurance levels up to and including EAL2. The current list of signatory nations and approved certification schemes can be found on:

<http://www.commoncriteriaportal.org>

**BİLİŞİM TEKNOLOJİLERİ TEST VE BELGELENDİRME DAİRESİ BAŞKANLIĞI  
CCCS CERTIFICATION REPORT****1. EXECUTIVE SUMMARY**

This report constitutes the certification results by the certification body on the evaluation results applied with requirements of the Common Criteria for Information Security Evaluation.

**Evaluated IT product name:** *Boer Product Classification and Automation Software*

**IT Product version:** *v1.0*

**Developer's Name:** *BOER Bilişim San. ve Tic. A.Ş.*

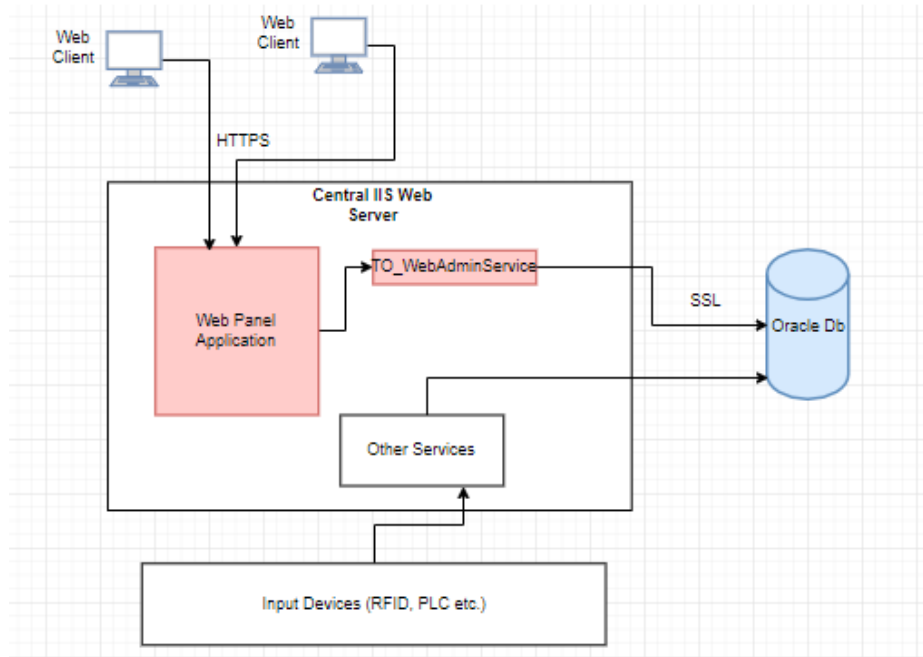
**Name of CCTL:** *CERTBY Uluslararası Denetim Belg. ve Eğitim Hizm. Ltd. Şti.*

**Assurance Package:** *EAL 2*

**Completion date of evaluation:** *29.04.2020*

**1.1. Brief Description**

The TOE is an application software solution that provide interfaces and communicate and coordinate with the systems in order to follow the classifying and shipping processes of the products. TOE has a service-based architecture beneath.



## BİLİŞİM TEKNOLOJİLERİ TEST VE BELGELENDİRME DAİRESİ BAŞKANLIĞI CCCS CERTIFICATION REPORT

### 1.2. *Major Security Features*

The TOE provides the following security services;

- Access Control,
- Identification and Authentication,
- Audit,
- Management of TOE functionality

### 1.3. *Threats*

The threats are;

- **T.Accs\_Con:** An attacker may try to unauthorized access TOE sources by web application to compromise TOE data and function
- **T.Data\_Discl:** An attacker may try to compromise the confidentiality of TOE data by manipulating via web application
- **T.Records:** Authorized or unauthorized access to TOE data or functions by using web application interface may go undetected. By this way, TOE data and function may be accessed in an uncontrolled way. Unauthorized access trial are also may not detected.
- **T.Reconfig:** An attacker or unauthorized user may attempt to reconfigure the TOE to gain access to protected TOE data and service.

BİLİŞİM TEKNOLOJİLERİ TEST VE BELGELENDİRME DAİRESİ BAŞKANLIĞI  
CCCS CERTIFICATION REPORT

## 2. CERTIFICATION RESULTS

## 2.1. Identification of Target of Evaluation

<b>Certificate Number</b>	21.0.03/TSE-CCCS-66
<b>TOE Name and Version</b>	Boer Product Classification and Automation Software v1.0
<b>Security Target Title</b>	Security Target of Boer Product Classification and Automation Software
<b>Security Target Version</b>	2.0
<b>Security Target Date</b>	24.05.2019
<b>Assurance Level</b>	EAL 2
<b>Criteria</b>	<ul style="list-style-type: none"><li>• Common Criteria for Information Technology Security Evaluation, Part 1: Introduction and General Model; CCMB-2017-04-001, Version 3.1, Revision 5, April 2017</li><li>• Common Criteria for Information Technology Security Evaluation, Part 2: Security Functional Components; CCMB-2017-04-002, Version 3.1, Revision 5, April 2017</li><li>• Common Criteria for Information Technology Security Evaluation, Part 3: Security Assurance Components; CCMB-2017-04-003, Version 3.1, Revision 5, April 2017</li></ul>
<b>Methodology</b>	Common Criteria for Information Technology Security Evaluation, Evaluation Methodology; CCMB-2017-04-004, Version 3.1, Revision 5, April 2017
<b>Protection Profile Conformance</b>	None



**BİLİŞİM TEKNOLOJİLERİ TEST VE BELGELENDİRME DAİRESİ BAŞKANLIĞI  
CCCS CERTIFICATION REPORT**

<b>Sponsor and Developer</b>	<i>BOER Bilişim San. ve Tic. A.Ş.</i>
<b>Evaluation Facility</b>	<i>CERTBY Uluslararası Denetim Belg. ve Eğitim Hizm. Ltd. Şti.</i>
<b>Certification Scheme</b>	<i>TSE CCCS</i>

**2.2. Security Policy**

There are no Organisational Security Policies presented at the Security Target.

**2.3. Assumptions and Clarification of Scope**

Assumptions for the operational environment of the TOE are;

- A.Env\_Sec: It is assumed that latest security settings of environmental components including; operating system, database, web server are completed. All security vulnerabilities are closed and taken all the necessary security measures against potential threats is also assumed.
- A.Locate: It is assumed that TOE, Web Server and Database will be hosted inside of a physically secure area.
- A.Trans\_Protect: It is assumed that the IT environment will provide a secure channel so that all potentially valuable information (including credentials and enterprise data) is protected between the client and application server.
- A.Trusted\_User: It is assumed that the authorized users for TOE, web server and database are not careless, willfully negligent, or hostile.
- A.SV\_DB: It is assumed that only authorized and trained users can access the web server and database.

**2.4. Architectural Information**

TOE is an application consists of web application and services. TOE has been designed as each security function represent a subsystem. Therefore, subsystems are;

**BİLİŞİM TEKNOLOJİLERİ TEST VE BELGELENDİRME DAİRESİ BAŞKANLIĞI  
CCCS CERTIFICATION REPORT**

- Access Control,
- Identification and Authentication,
- Audit,
- Management of TOE functionality

**2.5. Documentation**

Documents below are provided to the customer by the developer alongside the TOE;

Name of Document	Version Number	Date
<i>Security Target of Boer Product Classification and Automation Software</i>	<i>V2.0</i>	<i>24.05.2019</i>
<i>Boer Product Classification and Automation Software Kurulum ve Kullanıcı Kılavuzu</i>	<i>V3.0</i>	<i>27.08.2020</i>

**2.6. IT Product Testing**

During the evaluation, all evaluation evidences of TOE were delivered and transferred completely to CCTL by the developer. All the delivered evaluation evidences which include software, documents, etc. are mapped to the assurance families Common Criteria and Common Methodology; so the connections between the assurance families and the evaluation evidences has been established. The evaluation results are available in the final Evaluation Technical Report (ETR) of Boer Product Classification and Automation Software v1.0.

It is concluded that the TOE supports EAL 2. There are 19 assurance families which are all evaluated with the methods detailed in the ETR.

## BİLİŞİM TEKNOLOJİLERİ TEST VE BELGELENDİRME DAİRESİ BAŞKANLIĞI CCCS CERTIFICATION REPORT

### **2.6.1. Developer Testing**

Developer has prepared TOE Test Document according to the TOE Functional Specification documentation, TOE Design documentation which includes TSF subsystems and its interactions. All SFR-Enforcing TSFIs have been tested by developer. Developer has conducted 4 functional tests in total.

### **2.6.2. Evaluator Testing**

- Independent Testing: Evaluator has chosen 4 developer tests to conduct by itself. Additionally, evaluator has prepared 14 independent tests. TOE has passed all 18 functional tests to demonstrate that its security functions work as it is defined in the ST.
- Penetration Testing: TOE has been tested against common threats and other threats surfaced by vulnerability analysis. As a result, 12 penetration tests have been conducted.

### **2.7. Evaluated Configuration**

The evaluated TOE configuration is composed of;

- Boer Product Classification and Automation Software v1.0,
- Guidance Documents

Also as consistent with the minimum Hardware/Software/OS requirements for the TOE, the test environment presented at the ETR is composed of;

- Burp Suite V2020.2.1,
- NMAP v7.80,
- Chrome DevTools v81.0.4044.113,
- Wireshark v3.2.3,
- Kali Linux v2020.1

**BİLİŞİM TEKNOLOJİLERİ TEST VE BELGELENDİRME DAİRESİ BAŞKANLIĞI  
CCCS CERTIFICATION REPORT**

- Firefox DevTools v75.0,
- Winhex Editor v18.1

**2.8. Results of the Evaluation**

The table below provides a complete listing of the Security Assurance Requirements for the TOE. These requirements consists of the Evaluation Assurance Level 2 (EAL 2) components as specified in Part 3 of the Common Criteria.

Assurance Class	Component	Component Title
Development	ADV_ARC.1	Security Architecture Description
	ADV_FSP.2	Security Enforcing functional specification
	ADV_TDS.1	Basic Design
Guidance Documents	AGD_OPE.1	Operational User Guidance
	AGD_PRE.1	Preparative Procedures
Life-Cycle Support	ALC_CMC.2	Use of a CM System
	ALC_CMS.2	Parts of the TOE CM Coverage
	ALC_DEL.1	Delivery Procedures
Security Target Evaluation	ASE_CCL.1	Conformance Claims
	ASE_ECD.1	Extended Components Definition
	ASE_INT.1	ST Introduction

**BİLİŞİM TEKNOLOJİLERİ TEST VE BELGELENDİRME DAİRESİ BAŞKANLIĞI  
CCCS CERTIFICATION REPORT**

	ASE_OBJ.2	Security Objectives
	ASE_REQ.2	Derived Security Requirements
	ASE_SPD.1	Security Problem Definition
	ASE_TSS.1	TOE Summary Specification
Tests	ATE_COV.1	Evidence of coverage
	ATE_FUN.1	Functional Testing
	ATE_IND.2	Independent testing - sample
Vulnerability Analysis	AVA_VAN.2	Vulnerability analysis

The Evaluation Team assigned a Pass, Fail, or Inconclusive verdict to each work unit of each EAL 2 assurance component. For Fail or Inconclusive work unit verdicts, the Evaluation Team advised the developer about the issues requiring resolution or clarification within the evaluation evidence. In this way, the Evaluation Team assigned an overall Pass verdict to the assurance component only when all of the work units for that component had been assigned a Pass verdict. So for TOE “Boer Product Classification and Automation Software v1.0”, the results of the assessment of all evaluation tasks are “Pass”.

## **2.9. Comments / Recommendations**

It is recommended that all guidance outlined in the Guidance Documents be followed and all assumptions are fulfilled in order to the secure usage of the TOE.



**BİLİŞİM TEKNOLOJİLERİ TEST VE BELGELENDİRME DAİRESİ BAŞKANLIĞI**  
**CCCS CERTIFICATION REPORT**

### **3. SECURITY TARGET**

The Security Target associated with this Certification Report is identified by the following terminology:

Title: *Security Target of Boer Product Classification and Automation Software*

Version: 2.0

Date of Document: 24.05.2019

### **4. GLOSSARY**

CCCS: Common Criteria Certification Scheme

CCMB: Common Criteria Management Board

ITCD: Information Technologies Test and Certification Department

EAL : Evaluation Assurance Level

OSP : Organisational Security Policy

SAR : Security Assurance Requirements

SFR : Security Functional Requirements

ST : Security Target

TOE : Target of Evaluation

TSF : TOE Security Functionality

TSFI : TSF Interface



**BİLİŞİM TEKNOLOJİLERİ TEST VE BELGELENDİRME DAİRESİ BAŞKANLIĞI**  
**CCCS CERTIFICATION REPORT**

## 5. BIBLIOGRAPHY

- [1] Common Criteria for Information Technology Security Evaluation, Version 3.1 Revision 5, April 2017,
- [2] Common Methodology for Information Technology Security Evaluation, CEM, Version 3.1 Revision 5, April 2017,
- [3] BTBD-03-01-TL-01 Certification Report Preparation Instructions, Rel.Date: February 8th 2016,
- [4] Boer Product Classification and Automation Software v1.0 DTR, April 29nd 2020
- [5] 2006-04-004 ST sanitizing for publication, April 2006

## 6. ANNEXES

There is no additional information which is inappropriate for reference in other sections