



Security Target

SMGW Version 1.3.1

1 Version History

Version	Datum	Name	Änderungen
1.3	28.06.2024	C. Miller	SMGW Version 1.3.1

2 Contents

3	Contents	3
4	1 Introduction	6
5	1.1 ST reference	6
6	1.2 TOE reference	6
7	1.3 Introduction.....	10
8	1.4 TOE Overview	11
9	1.4.1 Introduction	11
10	1.4.2 Overview of the Gateway in a Smart Metering System	12
11	1.4.3 TOE description.....	15
12	1.4.4 TOE Type definition	16
13	1.4.5 TOE logical boundary	19
14	1.4.6 The logical interfaces of the TOE	27
15	1.4.7 The cryptography of the TOE and its Security Module	28
16	TOE life-cycle	32
17	2 Conformance Claims	33
18	2.1 CC Conformance Claim	33
19	2.2 PP Claim / Conformance Statement	33
20	2.3 Package Claim	33
21	2.4 Conformance Claim Rationale	33
22	3 Security Problem Definition.....	34
23	3.1 External entities	34
24	3.2 Assets.....	34
25	3.3 Assumptions	38
26	3.4 Threats.....	40
27	3.5 Organizational Security Policies.....	43
28	4 Security Objectives	45
29	4.1 Security Objectives for the TOE	45
30	4.2 Security Objectives for the Operational Environment.....	50
31	4.3 Security Objective Rationale.....	52
32	4.3.1 Overview	52
33	4.3.2 Countering the threats.....	53
34	4.3.3 Coverage of organisational security policies	56
35	4.3.4 Coverage of assumptions	57
36	5 Extended Component definition	59
37	5.1 Communication concealing (FPR_CON)	59
38	5.2 Family behaviour	59
39	5.3 Component levelling.....	59
40	5.4 Management.....	59
41	5.5 Audit	59
42	5.6 Communication concealing (FPR_CON.1)	59
43	6 Security Requirements.....	61
44	6.1 Overview.....	61

45	6.2 Class FAU: Security Audit.....	65
46	6.2.1 Introduction	65
47	6.2.2 Security Requirements for the System Log	67
48	6.2.3 Security Requirements for the Consumer Log	70
49	6.2.4 Security Requirements for the Calibration Log	73
50	6.2.5 Security Requirements that apply to all logs	78
51	6.3 Class FCO: Communication.....	80
52	6.3.1 Non-repudiation of origin (FCO_NRO).....	80
53	6.4 Class FCS: Cryptographic Support	81
54	6.4.1 Cryptographic support for TLS.....	81
55	6.4.2 Cryptographic support for CMS	82
56	6.4.3 Cryptographic support for Meter communication encryption	84
57	6.4.4 General Cryptographic support.....	86
58	6.5 Class FDP: User Data Protection.....	89
59	6.5.1 Introduction to the Security Functional Policies	89
60	6.5.2 Gateway Access SFP	89
61	6.5.3 Firewall SFP	91
62	6.5.4 Meter SFP.....	94
63	6.5.5 General Requirements on user data protection.....	98
64	6.6 Class FIA: Identification and Authentication	99
65	6.6.1 User Attribute Definition (FIA_ATD).....	99
66	6.6.2 Authentication Failures (FIA_AFL).....	100
67	6.6.3 User Authentication (FIA_UAU).....	100
68	6.6.4 User identification (FIA_UID)	102
69	6.6.5 User-subject binding (FIA_USB).....	103
70	6.7 Class FMT: Security Management	104
71	6.7.1 Management of the TSF.....	104
72	6.7.2 Security management roles (FMT_SMR)	111
73	6.7.3 Management of security attributes for Gateway access SFP.....	112
74	6.7.4 Management of security attributes for Firewall SFP	113
75	6.7.5 Management of security attributes for Meter SFP	114
76	6.8 Class FPR: Privacy	115
77	6.8.1 Communication Concealing (FPR_CON).....	115
78	6.8.2 Pseudonymity (FPR_PSE).....	116
79	6.9 Class FPT: Protection of the TSF	117
80	6.9.1 Fail secure (FPT_FLS).....	117
81	6.9.2 Replay Detection (FPT_RPL).....	118
82	6.9.3 Time stamps (FPT_STM)	118
83	6.9.4 TSF self test (FPT_TST).....	118
84	6.9.5 TSF physical protection (FPT_PHP).....	119
85	6.10 Class FTP: Trusted path/channels.....	119
86	6.10.1 Inter-TSF trusted channel (FTP_ITC).....	119

87 **6.11 Security Assurance Requirements for the TOE..... 121**

88 **6.12 Security Requirements rationale 123**

89 6.12.1 Security Functional Requirements rationale..... 123

90 6.12.2 Security Assurance Requirements rationale 136

91 **7 TOE Summary Specification..... 137**

92 7.1 SF.1: Authentication of Communication and Role Assignment for external

93 entities..... 137

94 7.2 SF.2: Acceptance and Deposition of Meter Data, Encryption of Meter Data for

95 WAN transmission..... 144

96 7.3 SF.3: Administration, Configuration and SW Update..... 146

97 7.4 SF.4: Displaying Consumption Data..... 148

98 7.5 SF.5: Audit and Logging..... 149

99 7.6 SF.6: TOE Integrity Protection 151

100 7.7 TSS Rationale..... 152

101 **8 List of Tables..... 156**

102 **9 List of Figures 157**

103 **10 Appendix 158**

104 10.1 Mapping from English to German terms 158

105 10.2 Glossary 160

106 **11 Literature 165**

107

108 1 Introduction

109 1.1 ST reference

110	Title:	Security Target, SMGW Version 1.3.1
111	Editors:	Power Plus Communications AG
112	CC-Version:	3.1 Revision 5
113	Assurance Level:	EAL 4+, augmented by AVA_VAN.5 and ALC_FLR.2
114	General Status:	Final
115	Document Version:	1.3
116	Document Date:	28.06.2024
117	TOE:	SMGW Version 1.3.1
118	Certification ID:	BSI-DSZ-CC-0831-V8-2023

119 This document contains the security target of the *SMGW Version 1.3.1*.

120 This security target claims conformance to the *Smart Meter Gateway* protection profile
121 [PP_GW].

122

123 1.2 TOE reference

124 The TOE described in this security target is the *SMGW Version 1.3.1*.

125 The following classifications of the product "*Smart Meter Gateway*" contain the TOE:

- 126 • *BPL Smart Meter Gateway* (BPL-SMGW), SMGW-B-1A-111-00 or SMGW-B-
127 1B-111-00
- 128 • *CDMA Smart Meter Gateway* (CDMA-SMGW), SMGW-C-1A-111-00
- 129 • *ETH Smart Meter Gateway* (ETH-SMGW), SMGW-E-1A-111-00 or SMGW-E-
130 1B-111-00
- 131 • *GPRS Smart Meter Gateway* (GPRS-SMGW), SMGW-G-1A-111-30

- 132 • *LTE Smart Meter Gateway (LTE-SMGW)*, SMGW-L-1A-111-30, SMGW-L-1A-
133 111-10, SMGW-L-1B-111-30, SMGW-L-1B-111-10, SMGW-K-1B-111-10,
134 SMGW-K-1B-111-20 or SMGW-K-1B-111-30
- 135 • *powerWAN-ETH Smart Meter Gateway (pWE-SMGW)*, SMGW-P-1B-111-00
- 136 • *G.hn Smart Meter Gateway (G.hn-SMGW)*, SMGW-N-1B-111-00
- 137 • *LTE450 Smart Meter Gateway (LTE450-SMGW)*, SMGW-V-1A-111-20 or
138 SMGW-V-1B-111-20

139 The TOE comprises the following parts:

- 140 • hardware device of the hardware generation 1A or 1B according to Table 1,
141 including the TOE's main circuit board, a carrier board, a power-supply unit and
142 a radio module for communication with wireless meter (included in the hardware
143 device "*Smart Meter Gateway*")
- 144 • firmware including software application (loaded into the circuit board)
 - 145 ○ "*SMGW Software Version 1.3.1*", identified by the value 33888-34801
146 which comprises of two revision numbers of the underlying version control sys-
147 tem for the TOE, where the first part is for the operating system and the second
148 part is for the SMGW application
- 149 • manuals
 - 150 ○ „Handbuch für Verbraucher, Smart Meter Gateway“ [AGD_CON-
151 SUMER], identified by the SHA-256 hash value
152 4816009774a634d207edb00ca6408bb28c26daf2c6c9185ced1f1215088a02e4
 - 153 ○ „Handbuch für Service-Techniker, Smart Meter Gateway“ [AGD_Techni-
154 ker], identified by the SHA-256 hash value
155 1be4058c8db43bcf730387c9f14f0e87bc84db5520815804daaf8f5de1ed6c5a
 - 156 ○ „Handbuch für Hersteller von Smart-Meter Gateway-Administrations-
157 Software, Smart Meter Gateway“ [AGD_GWA], identified by the SHA-
158 256 hash value
159 4c2e9765853136121c370f7ba6bf9c5e969a704020153e065f9dad1977c9f586
 - 160 ○ „Logmeldungen, SMGW“ [SMGW_Logging] identified by the SHA-256
161 hash value
162 f3a935b6ae1713ccdaa02411b377377a8e4f7dfb092a181efe1a6c9a86f17a64
 - 163 ○ „Auslieferungs- und Fertigungsprozeduren, Anhang Sichere Ausliefe-
164 rung“ [AGD_SEC], identified by the SHA-256 hash value
165 17e280428e1602759b7bfa7dbbfde2e8d65ad7d518a96f0ab41a7130a9f38205

166 The hardware device “*Smart Meter Gateway*” includes a secure module with the product
 167 name “*TCOS Smart Meter Security Module Version 1.0 Release 2/P60C144PVE*” which
 168 is not part of the TOE but has its own certification id “BSI-DSZ-CC-0957-V2-2016”. More-
 169 over, a hard-wired communication adapter is connected to the TOE via [USB] as shown
 170 in Figure 3 which is not part of the TOE (but always an inseparable part of the delivered
 171 entity). This communication adapter can be either a LTE communication adapter, a
 172 LTE450 communication adapter, a BPL [IEEE 1901] communication adapter, a GPRS
 173 communication adapter, a CDMA communication adapter, a powerWAN-Ethernet com-
 174 munication adapter, a G.hn [ITU G.hn] communication adapter or an ethernet commu-
 175 nication adapter. There might be not every communication adapter available for each
 176 Hardware Generation.

177 The following table shows the different “*Smart Meter Gateway*” product classifications
 178 applied on the case of the product, while not all of them might be part of the TOE:

#	Characteristic	Value	Description
1	Product family	SMGW	each classification of a type start with this value
2		-	<i>Delimiter</i>
3	Communication Technology	B	Product Type „BPL Smart Meter Gateway“
		H	Product Type “BPL Smart Meter Gateway”
		C	Product Type „CDMA Smart Meter Gateway“
		E	Product Type „ETH Smart Meter Gateway“
		G	Product Type „GPRS Smart Meter Gateway“
		L	Product Type „LTE Smart Meter Gateway“
		J	Product Type “LTE Smart Meter Gateway”
		K	Product Type „LTE Smart Meter Gateway“
		P	Product Type „powerWAN-ETH Smart Meter Gateway“

#	Characteristic	Value	Description
		N	Product Type „G.hn Smart Meter Gateway“
		V	Product Type “LTE450 Smart Meter Gateway”
4		-	<i>Delimiter</i>
5	Hardware generation	1A	Identification of hardware generation; version 1.0 of “SMGW Hardware”
		1B	Identification of hardware generation; version 1.0.1 of “SMGW Hardware” (with new power adapter)
		2A	Identification of hardware generation; version 2.0 of “SMGW Hardware”
		2B	Identification of hardware generation; version 2B of “SMGW Hardware”
6		-	<i>Delimiter</i>
7	HAN Interface	1	Ethernet
8	CLS Interface	1	Ethernet
9	LMN Interface	1	Wireless and wired
10		-	<i>Delimiter</i>
11	SIM card type	0	<i>None</i>
		1	SIM card assembled at factory and SIM slot
		2	SIM card assembled at factory only
		3	SIM slot only
12	reserved	0	

179 **Table 1: Smart Meter Gateway product classifications**

180 **1.3 Introduction**

181 The increasing use of *green energy* and upcoming technologies around e-mobility lead
182 to an increasing demand for functions of a so called smart grid. A smart grid hereby
183 refers to a commodity¹ network that intelligently integrates the behaviour and actions of
184 all entities connected to it – suppliers of natural resources and energy, its consumers
185 and those that are both – in order to efficiently ensure a more sustainable, economic and
186 secure supply of a certain commodity (definition adopted from [CEN]).

187 In its vision such a smart grid would allow to invoke consumer devices to regulate the
188 load and availability of resources or energy in the grid, e.g. by using consumer devices
189 to store energy or by triggering the use of energy based upon the current load of the
190 grid². Basic features of such a smart use of energy or resources are already reality.
191 Providers of electricity in Germany, for example, have to offer at least one tariff that has
192 the purpose to motivate the consumer to save energy.

193 In the past, the production of electricity followed the demand/consumption of the con-
194 sumers. Considering the strong increase in renewable energy and the production of en-
195 ergy as a side effect in heat generation today, the consumption/demand has to follow
196 the – often externally controlled – production of energy. Similar mechanisms can exist
197 for the gas network to control the feed of biogas or hydrogen based on information sub-
198 mitted by consumer devices.

199 An essential aspect for all considerations of a smart grid is the so called *Smart Metering*
200 *System* that meters the consumption or production of certain commodities at the con-
201 sumers' side and allows sending the information about the consumption or production to
202 external entities, which is then the basis for e. g. billing the consumption or production.

203 This Security Target defines the security objectives, corresponding requirements and
204 their fulfilment for a Gateway which is the central communication component of such a
205 Smart Metering System (please refer to chapter 1.4.2 for a more detailed overview).

1 Commodities can be electricity, gas, water or heat which is distributed from its generator to the consumer through a grid (network).

2 Please note that such a functionality requires a consent or a contract between the supplier and the consumer, alternatively a regulatory requirement.

206 The Target of Evaluation (TOE) that is described in this document is an electronic unit
207 comprising hardware and software/firmware³ used for collection, storage and provision
208 of Meter Data⁴ from one or more Meters of one or multiple commodities.

209 The Gateway connects a Wide Area Network (WAN) with a Network of Devices of one
210 or more Smart Metering devices (Local Metrological Network, LMN) and the consumer
211 Home Area Network (HAN), which hosts Controllable Local Systems (CLS) and visuali-
212 zation devices. The security functionality of the TOE comprises

- 213 • protection of confidentiality, authenticity, integrity of data and
- 214 • information flow control

215 mainly to protect the privacy of consumers, to ensure a reliable billing process and to
216 protect the Smart Metering System and a corresponding large scale infrastructure of the
217 smart grid. The availability of the Gateway is not addressed by this ST.

218

219 **1.4 TOE Overview**

220 **1.4.1 Introduction**

221 The TOE as defined in this Security Target is the Gateway in a Smart Metering System.
222 In the following subsections the overall Smart Metering System will be described first
223 and afterwards the Gateway itself.

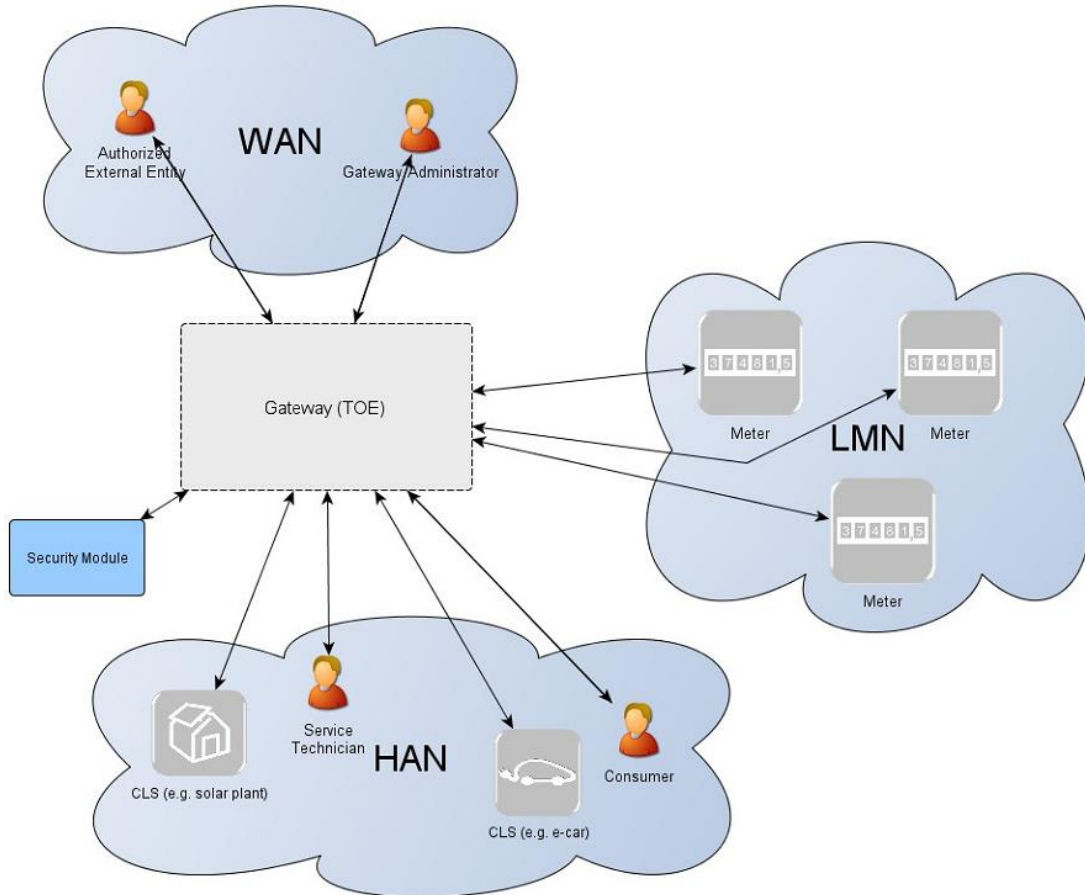
224 There are various different vocabularies existing in the area of Smart Grid, Smart Meter-
225 ing and Home Automation. Furthermore, the Common Criteria maintain their own vo-
226 cabulary. The Protection Profile [PP_GW, chapter 1.3] provides an overview over the
227 most prominent terms used in this Security Target to avoid any bias which is not fully
228 repeated here.

3 For the rest of this document the term "firmware" will be used if the complete firmware ist meant. For the application in-
cluding its services the term "software" will be used.

4 Please refer to chapter 3.2 for an exact definition of the term "Meter Data".

229 **1.4.2 Overview of the Gateway in a Smart Metering System**

230 The following figure provides an overview of the TOE as part of a complete Smart Me-
 231 tering System from a purely functional perspective as used in this ST.⁵



232
 233 **Figure 1: The TOE and its direct environment**

234
 235 As can be seen in Figure 1, a system for smart metering comprises different functional
 236 units in the context of the descriptions in this ST:

- 237 • The **Gateway** (as defined in this ST) serves as the communication component
 238 between the components in the local area network (LAN) of the consumer and
 239 the outside world. It can be seen as a special kind of firewall dedicated to the
 240 smart metering functionality. It also collects, processes and stores the records

⁵ It should be noted that this description purely contains aspects that are relevant to motivate and understand the functionalities of the Gateway as described in this ST. It does not aim to provide a universal description of a Smart Metering System for all application cases.

241 from Meter(s) and ensures that only authorised parties have access to them or
242 derivatives thereof. Before sending meter data⁶ the information will be en-
243 crypted and signed using the services of a Security Module. The Gateway fea-
244 tures a mandatory user interface, enabling authorised consumers to access the
245 data relevant to them.

- 246 • The **Meter** itself records the consumption or production of one or more com-
247 modities (e.g. electricity, gas, water, heat) and submits those records in defined
248 intervals to the Gateway. The Meter Data has to be signed and encrypted be-
249 fore transfer in order to ensure its confidentiality, authenticity, and integrity. The
250 Meter is comparable to a classical meter⁷ and has comparable security require-
251 ments; it will be sealed as classical meters according to the regulations of the
252 calibration authority. The Meter further supports the encryption and integrity
253 protection of its connection to the Gateway⁸.
- 254 • The Gateway utilises the services of a **Security Module** (e.g. a smart card) as
255 a cryptographic service provider and as a secure storage for confidential assets.
256 The Security Module will be evaluated separately according to the requirements
257 in the corresponding Protection Profile (c.f. [SecModPP]).

258 **Controllable Local Systems** (CLS, as shown in Figure 2) may range from local power
259 generation plants, controllable loads such as air condition and intelligent household ap-
260 pliances (“white goods”) to applications in home automation. CLS may utilise the ser-
261 vices of the Gateway for communication services. However, CLS are not part of the
262 Smart Metering System.

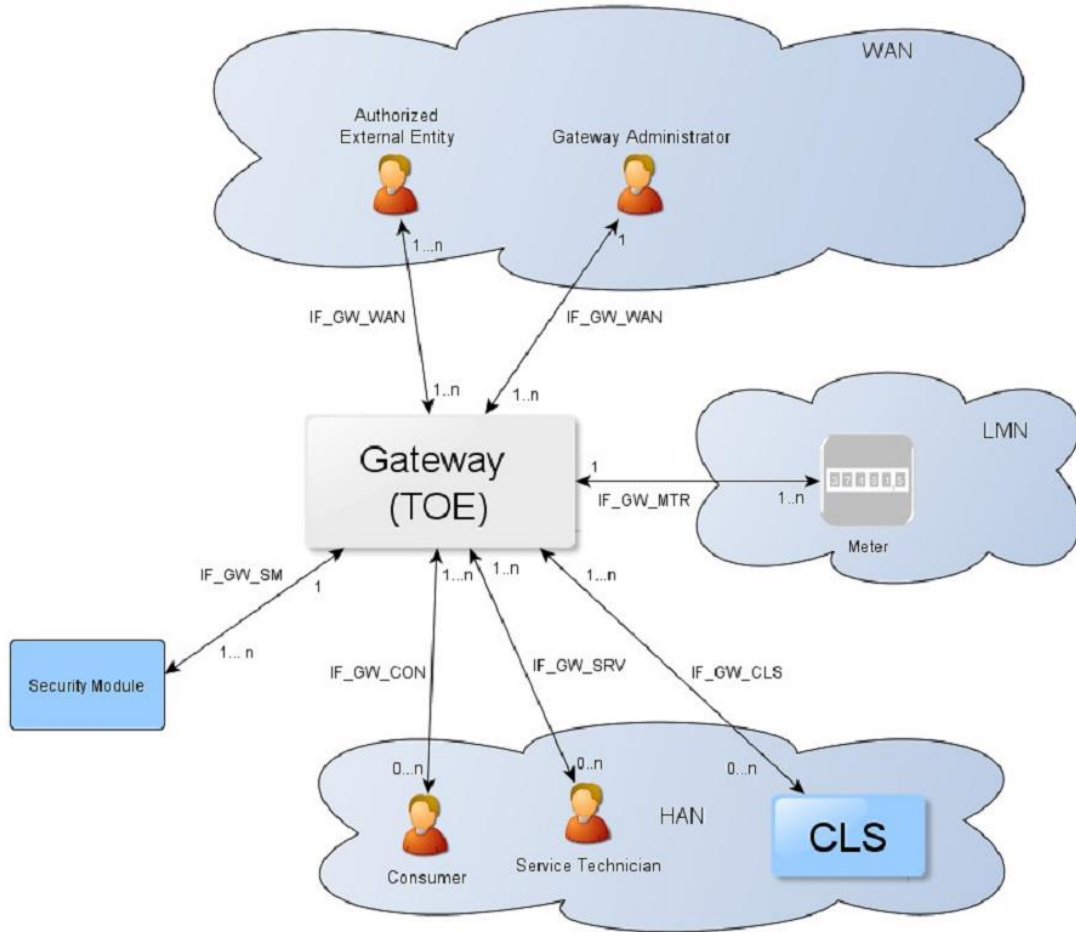
263 The following figure introduces the external interfaces of the TOE and shows the cardi-
264 nality of the involved entities. Please note that the arrows of the interfaces within the
265 Smart Metering System as shown in Figure 2 indicate the flow of information. However,
266 it does not indicate that a communication flow can be initiated bi-directionally. Indeed,

6 Please note that readings and data which are not relevant for billing may require an explicit endorsement of the consumer.

7 In this context, a classical meter denotes a meter without a communication channel, i.e. whose values have to be read out locally.

8 It should be noted that this ST does not imply that the connection between the Gateways and external components (specifically meters and CLS) is cable based. It is also possible that the connections as shown in Figure 1 are realised deploying a wireless technology. However, the requirements on how the connections shall be secured apply regardless of the realisation.

267 the following chapters of this ST will place dedicated requirements on the way an infor-
 268 mation flow can be initiated⁹.



269
 270 **Figure 2: The logical interfaces of the TOE**

271 The overview of the Smart Metering System as described before is based on a threat
 272 model that has been developed for the Smart Metering System and has been motivated
 273 by the following considerations:

- 274 • The Gateway is the central communication unit in the Smart Metering System.
 275 It is the only unit directly connected to the WAN, to be the first line of defence
 276 an attacker located in the WAN would have to conquer.
- 277 • The Gateway is the central component that collects, processes and stores Me-
 278 ter Data. It therewith is the primary point for user interaction in the context of
 279 the Smart Metering System.

⁹ Please note that the cardinality of the interface to the consumer is 0..n as it cannot be assumed that a consumer is interacting with the TOE at all.

- 280
- To conquer a Meter in the LMN or CLS in the HAN (that uses the TOE for communication) a WAN attacker first would have to attack the Gateway successfully. All data transferred between LAN and WAN flows via the Gateway which makes it an ideal unit for implementing significant parts of the system's overall security functionality.
- 281
- 282
- 283
- 284
- Because a Gateway can be used to connect and protect multiple Meters (while a Meter will always be connected to exactly one Gateway) and CLS with the WAN, there might be more Meters and CLS in a Smart Metering System than there are Gateways.
- 285
- 286
- 287
- 288

289 All these arguments motivated the approach to have a Gateway (using a Security Module for cryptographic support), which is rich in security functionality, strong and evaluated in depth, in contrast to a Meter which will only deploy a minimum of security functions. The Security Module will be evaluated separately.

290

291

292

293 **1.4.3 TOE description**

294 The Smart Metering Gateway (in the following short: Gateway or TOE) may serve as the communication unit between devices of private and commercial consumers and service providers of a commodity industry (e.g. electricity, gas, water, etc.). It also collects, processes and stores Meter Data and is responsible for the distribution of this data to external entities.

295

296

297

298

299 Typically, the Gateway will be placed in the household or premises of the consumer¹⁰ of the commodity and enables access to local Meter(s) (i.e. the unit(s) used for measuring the consumption or production of electric power, gas, water, heat etc.) and may enable access to Controllable Local Systems (e.g. power generation plants, controllable loads such as air condition and intelligent household appliances).

300

301

302

303

304 The TOE has a fail-safe design that specifically ensures that any malfunction can not impact the delivery of a commodity, e.g. energy, gas or water¹¹.

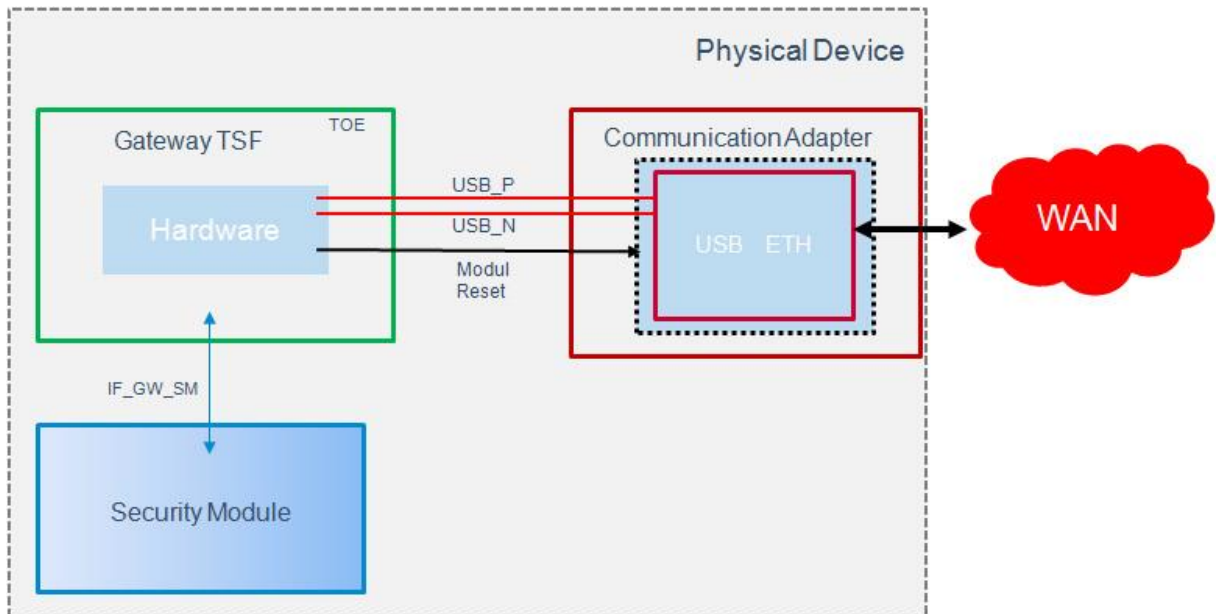
305

306

¹⁰ Please note that it is possible that the consumer of the commodity is not the owner of the premises where the Gateway will be placed. However, this description acknowledges that there is a certain level of control over the physical access to the Gateway.

¹¹ Indeed, this Security Target assumes that the Gateway and the Meters have no possibility at all to impact the delivery of a commodity. Even an intentional stop of the delivery of a certain commodity is Not within the scope of this Security Target. It should, however, be noted that such a functionality may be realised by a CLS that utilises the services of the TOE for its communication.

307 The following figure provides an overview of the product with its TOE and non-TOE parts:



308

309 **Figure 3: The product with its TOE and non-TOE parts**

310 The TOE communicates over the interface *IF_GW_SM* with a security module and over
 311 the interfaces *USB_P*, *USB_N* and *Module Reset* with one of the possible communica-
 312 tion adapters according to chapter 1.2. The communication adapters, which are not part
 313 of the TOE, transmit data from the USB interface to the WAN interface and vice versa.

314 1.4.4 TOE Type definition

315 At first, the TOE is a communication Gateway. It provides different external communica-
 316 tion interfaces and enables the data communication between these interfaces and con-
 317 nected IT systems. It further collects, processes and stores Meter Data and is responsi-
 318 ble for the distribution of this data to external parties.

319 Typically, the Gateway will be placed in the household or premises of the consumer of
 320 the commodity and enables access to local Meter(s) (i.e. the unit(s) used for measuring
 321 the consumption or production of electric power, gas, water, heat etc.) and may enable
 322 access to Controllable Local Systems (e.g. power generation plants, controllable loads
 323 such as air condition and intelligent household appliances). Roles respectively External
 324 Entities in the context of the TOE are introduced in chapter 3.1.

325 The TOE described in this ST is a product that has been developed by Power Plus Com-
 326 munication AG. It is a communication product which complies with the requirements of
 327 the Protection Profile "Protection Profile for the Gateway of a Smart Metering System"

328 [PP_GW]. The TOE consists of hardware and software including the operating system.
329 The communication with more than one meter is possible.

330 The TOE is implemented as a separate physical module which can be integrated into
331 more complex modular systems. This means that the TOE can be understood as an
332 OEM module which provides all required physical interfaces and protocols on well de-
333 fined interfaces. Because of this, the module can be integrated into communication de-
334 vices and directly into meters.

335 The TOE-design includes the following components:

- 336 • The security relevant components compliant to the Protection Profile.
- 337 • Components with no security relevance (e.g. communication protocols and in-
338 terfaces).

339 The TOE evaluation does not include the evaluation of the Security Module. In fact, the
340 TOE relies on the security functionality of the Security Module but it must be security
341 evaluated in a separate security evaluation¹².

342 The hardware platform of the TOE mainly consists of a suitable embedded CPU, volatile
343 and non-volatile memory and supporting circuits like Security Module and RTC.

344 The TOE contains mechanisms for the integrity protection for its firmware.

345 The TOE supports the following communication protocols:

- 346 • OBIS according to [IEC-62056-6-1] and [EN 13757-1],
- 347 • DLMS/COSEM according to [IEC-62056-6-2],
- 348 • SML according to [IEC-62056-5-3-8],
- 349 • unidirectional and bidirectional wireless M-Bus according to [EN 13757-3],
350 [EN 13757-4], and [IEC-62056-21].

351

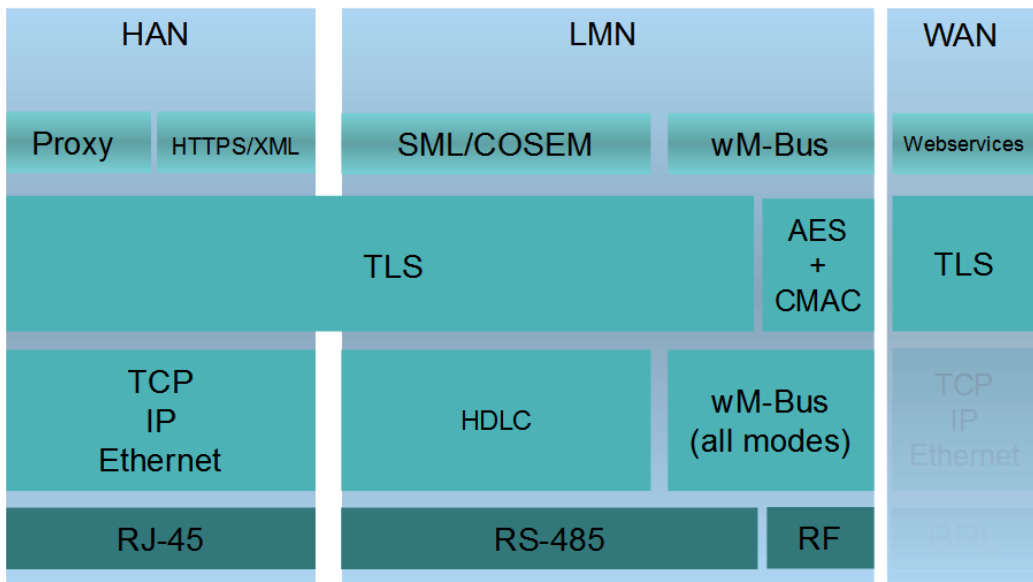
¹² Please note that the Security Module is physically integrated into the Gateway even though it is not part of the TOE.

352 The TOE provides the following physical interfaces for communication

- 353 • Wireless M-Bus (LMN) according to [EN 13757-3],
- 354 • RS-485 (LMN) according to [EIA RS-485],
- 355 • Ethernet (HAN) according to [IEEE 802.3], and
- 356 • USB (WAN) according to [USB].

357 The physical interface for the WAN communication is described in chapter 1.4.3. The
 358 communication is protected according to [TR-03109].

359 The communication into the HAN is also provided by the Ethernet interface. The proto-
 360 cols HTTPS and TLS proxy are therefore supported.



361

362 **Figure 4: The TOE's protocol stack**

363 The TOE provides the following functionality:

- 364 • Protected handling of Meter Data compliant to [PP_GW, chapter 1.4.6.1 and
 365 1.4.6.2]
- 366 • Integrity and authenticity protection e. g. of Meter Data compliant to [PP_GW,
 367 chapter 1.6.4.3]
- 368 • Protection of LAN devices against access from the WAN compliant to [PP_GW,
 369 chapter 1.4.6.4]
- 370 • Wake-Up Service compliant to [PP_GW, chapter 1.4.6.5]
- 371 • Privacy protection compliant to [PP_GW, chapter 1.4.6.6]
- 372 • Management of Security Functions compliant to [PP_GW, chapter 1.4.6.7]

- 373 • Cryptography of the TOE and its Security Module compliant to [PP_GW, chap-
374 ter 1.4.8]

375 **1.4.5 TOE logical boundary**

376 The logical boundary of the Gateway can be defined by its security features:

- 377 • *Handling of Meter Data*, collection and processing of Meter Data, submission
378 to authorised external entities (e.g. one of the service providers involved) where
379 necessary protected by a digital signature
- 380 • *Protection of authenticity, integrity and confidentiality* of data temporarily or per-
381 sistently stored in the Gateway, transferred locally within the LAN and trans-
382 ferred in the WAN (between Gateway and authorised external entities)
- 383 • *Firewalling* of information flows to the WAN and information flow control among
384 Meters, Controllable Local Systems and the WAN
- 385 • *A Wake-Up-Service* that allows to contact the TOE from the WAN side
- 386 • *Privacy preservation*
- 387 • *Management* of Security Functionality
- 388 • *Identification and Authentication* of TOE users

389 The following sections introduce the security functionality of the TOE in more detail.

390 1.4.5.1 Handling of Meter Data¹³

391 The Gateway is responsible for handling Meter Data. It receives the Meter Data from the
392 Meter(s), processes it, stores it and submits it to external entities.

393 The TOE utilises Processing Profiles to determine which data shall be sent to which
394 component or external entity. A Processing Profile defines:

- 395 • how Meter Data must be processed,
- 396 • which processed Meter Data must be sent in which intervals,
- 397 • to which component or external entity,
- 398 • signed using which key material,
- 399 • encrypted using which key material,
- 400 • whether processed Meter Data shall be pseudonymised or not, and
- 401 • which pseudonym shall be used to send the data.

13 Please refer to chapter 3.2 for an exact definition of the various data types.

402 The Processing Profiles are not only the basis for the security features of the TOE; they
403 also contain functional aspects as they indicate to the Gateway how the Meter Data shall
404 be processed. More details on the Processing Profiles can be found in [TR-03109-1].

405 The Gateway restricts access to (processed) Meter Data in the following ways:

- 406 • consumers must be identified and authenticated first before access to any data
407 may be granted,
- 408 • the Gateway accepts Meter Data from authorised Meters only,
- 409 • the Gateway sends processed Meter Data to correspondingly authorised exter-
410 nal entities only.

411 The Gateway accepts data (e.g. configuration data, firmware updates) from correspond-
412 ingly authorised Gateway Administrators or correspondingly authorised external entities
413 only. This restriction is a prerequisite for a secure operation and therewith for a secure
414 handling of Meter Data. Further, the Gateway maintains a calibration log with all relevant
415 events that could affect the calibration of the Gateway.

416 These functionalities:

- 417 • prevent that the Gateway accepts data from or sends data to unauthorised en-
418 tities,
- 419 • ensure that only the minimum amount of data leaves the scope of control of the
420 consumer,
- 421 • preserve the integrity of billing processes and as such serve in the interests of
422 the consumer as well as in the interests of the supplier. Both parties are inter-
423 ested in an billing process that ensures that the value of the consumed amount
424 of a certain commodity (and only the used amount) is transmitted,
- 425 • preserve the integrity of the system components and their configurations.

426 The TOE offers a local interface to the consumer (see also IF_GW_CON in Figure 2)
427 and allows the consumer to obtain information via this interface. This information com-
428 prises the billing-relevant data (to allow the consumer to verify an invoice) and infor-
429 mation about which Meter Data has been and will be sent to which external entity. The
430 TOE ensures that the communication to the consumer is protected by using TLS and
431 ensures that consumers only get access to their own data. Therefore, the TOE contains
432 a web server that delivers the content to the web browser after successful authentication
433 of the user.

434 1.4.5.2 Confidentiality protection

435 The TOE protects data from unauthorised disclosure

- 436
- while received from a Meter via the LMN,
 - 437 • while received from the administrator via the WAN,
 - 438 • while temporarily stored in the volatile memory of the Gateway,
 - 439 • while transmitted to the corresponding external entity via the WAN or HAN.

440 Furthermore, all data, which no longer have to be stored in the Gateway, are securely
441 erased to prevent any form of access to residual data via external interfaces of the TOE.
442 These functionalities protect the privacy of the consumer and prevent that an unauthor-
443 ised party is able to disclose any of the data transferred in and from the Smart Metering
444 System (e.g. Meter Data, configuration settings).

445 The TOE utilises the services of its Security Module for aspects of this functionality.

446 1.4.5.3 Integrity and Authenticity protection

447 The Gateway provides the following authenticity and integrity protection:

- 448 • Verification of authenticity and integrity when receiving Meter Data from a Meter
449 via the LMN, to verify that the Meter Data have been sent from an authentic
450 Meter and have not been altered during transmission. The TOE utilises the ser-
451 vices of its Security Module for aspects of this functionality.
- 452 • Application of authenticity and integrity protection measures when sending pro-
453 cessed Meter Data to an external entity, to enable the external entity to verify
454 that the processed Meter Data have been sent from an authentic Gateway and
455 have not been changed during transmission. The TOE utilises the services of
456 its Security Module for aspects of this functionality.
- 457 • Verification of authenticity and integrity when receiving data from an external
458 entity (e.g. configuration settings or firmware updates) to verify that the data
459 have been sent from an authentic and authorised external entity and have not
460 been changed during transmission. The TOE utilises the services of its Security
461 Module for aspects of this functionality.

462 These functionalities

- 463 • prevent within the Smart Metering System that data may be sent by a non-
464 authentic component without the possibility that the data recipient can detect
465 this,

- 466
- facilitate the integrity of billing processes and serve for the interests of the consumer as well as for the interest of the supplier. Both parties are interested in the transmission of correct processed Meter Data to be used for billing,

467

468

469

 - protect the Smart Metering System and a corresponding large scale Smart Grid infrastructure by preventing that data (e.g. Meter Data, configuration settings, or firmware updates) from forged components (with the aim to cause damage to the Smart Grid) will be accepted in the system.

470

471

472

473 1.4.5.4 Information flow control and firewall

474 The Gateway separates devices in the LAN of the consumer from the WAN and enforces
475 the following information flow control to control the communication between the networks
476 that the Gateway is attached to:

- only the Gateway may establish a connection to an external entity in the WAN¹⁴; specifically connection establishment by an external entity in the WAN or a Meter in the LMN to the WAN is not possible,
 - the Gateway can establish connections to devices in the LMN or in the HAN,
 - Meters in the LMN are only allowed to establish a connection to the Gateway,
 - the Gateway shall offer a wake-up service that allows external entities in the WAN to trigger a connection establishment by the Gateway,
 - connections are allowed to pre-configured addresses only,
 - only cryptographically-protected (i.e. encrypted, integrity protected and mutually authenticated) connections are possible.¹⁵
- 477
- 478
- 479
- 480
- 481
- 482
- 483
- 484
- 485
- 486

487 These functionalities

- prevent that the Gateway itself or the components behind the Gateway (i.e. Meters or Controllable Local Systems) can be conquered by a WAN attacker (as defined in section 3.4), that processed data are transmitted to the wrong external entity, and that processed data are transmitted without being confidentiality/authenticity/integrity-protected,
 - protect the Smart Metering System and a corresponding large scale infrastructure in two ways: by preventing that conquered components will send forged
- 488
- 489
- 490
- 491
- 492
- 493
- 494

14 Please note that this does not affect the functionality for a CLS to establish a secure channel to a party in the WAN. Technically however, this channel is established by the TOE who acts as a proxy between the CLS and the WAN.

15 To establish an encrypted channel the TOE may use the required protocols such as DHCP or PPP. Beside the establishment of an encrypted channel no unprotected communication between the TOE and external entities located in the WAN or LAN is allowed.

495 Meter Data (with the aim to cause damage to the Smart Grid), and by preventing
 496 that widely distributed Smart Metering Systems can be abused as a platform
 497 for malicious software/firmware to attack other systems in the WAN (e.g. a WAN
 498 attacker who would be able to install a botnet on components of the Smart Me-
 499 tering System).

500 The communication flows that are enforced by the Gateway between parties in the HAN,
 501 LMN and WAN are summarized in the following table¹⁶:

Source(1 st column) Destination (1 st row)	WAN	LMN	HAN
WAN	- (see following list)	No connection establishment allowed	No connection establishment allowed
LMN	No connection establishment allowed	- (see following list)	No connection establishment allowed
HAN	Connection establishment is allowed to trustworthy, pre-configured endpoints and via an encrypted channel only ¹⁷	No connection establishment allowed	- (see following list)

502 **Table 2: Communication flows between devices in different networks**

503 For communications within the different networks the following assumptions are defined:

- 504 1. Communications within the **WAN** are not restricted. However, the Gateway is
 505 not involved in this communication,
 506 2. No communications between devices in the **LMN** are assumed. Devices in the
 507 LMN may only communicate to the Gateway and shall not be connected to any
 508 other network,
 509 3. Devices in the **HAN** may communicate with each other. However, the Gateway
 510 is not involved in this communication. If devices in the HAN have a separate

16 Please note that this table only addresses the communication flow between devices in the various networks attached to the Gateway. It does not aim to provide an overview over the services that the Gateway itself offers to those devices nor an overview over the communication between devices in the same network. This information can be found in the paragraphs following the table.

17 The channel to the external entity in the WAN is established by the Gateway.

511 connection to parties in the WAN (beside the Gateway) this connection is as-
512 sumed to be appropriately protected. It should be noted that for the case that a
513 TOE connects to more than one HAN communications between devices within
514 different HAN via the TOE are only allowed if explicitly configured by a Gateway
515 Administrator.

516 Finally, the Gateway itself offers the following services within the various networks:

- 517 • the Gateway accepts the submission of Meter Data from the LMN,
- 518 • the Gateway offers a wake-up service at the WAN side as described in chapter
519 1.4.6.5 of [PP_GW],
- 520 • the Gateway offers a user interface to the HAN that allows CLS or consumers
521 to connect to the Gateway in order to read relevant information.

522 1.4.5.5 Wake-Up-Service

523 In order to protect the Gateway and the devices in the LAN against threats from the WAN
524 side the Gateway implements a strict firewall policy and enforces that connections with
525 external entities in the WAN shall only be established by the Gateway itself (e.g. when
526 the Gateway delivers Meter Data or contacts the Gateway Administrator to check for
527 updates)¹⁸.

528 While this policy is the optimal policy from a security perspective, the Gateway
529 Administrator may want to facilitate applications in which an instant communication to
530 the Gateway is required.

531 In order to allow this kind of re-activeness of the Gateway, this ST allows the Gateway
532 to keep existing connections to external entities open (please refer to [TR-03109-3] for
533 more details) and to offer a so called wake-up service.

534 The Gateway is able to receive a wake-up message that is signed by the Gateway
535 Administrator. The following steps are taken:

- 536 1. The Gateway verifies the wake-up packet. This comprises
 - 537 i. a check if the header identification is correct,
 - 538 ii. the recipient is the Gateway,
 - 539 iii. the wake-up packet has been sent/received within an acceptable period
540 of time in order to prevent replayed messages,

¹⁸ Please note that this does not affect the functionality for a CLS to establish a secure channel to a party in the WAN. Technically however, this channel is established by the TOE who acts as a proxy between the CLS and the WAN.

- 541 iv. the wake-up message has not been received before,
542 2. If the wake-up message could not be verified as described in step #1, the
543 message will be dropped/ignored. No further operations will be initiated and no
544 feedback is provided.
545 3. If the message could be verified as described in step #1, the signature of the
546 wake-up message will be verified. The Gateway uses the services of its Security
547 Module for signature verification.
548 4. If the signature of the wake-up message cannot be verified as described in step
549 #3 the message will be dropped/ignored. No feedback is given to the sending
550 external entity and the wake-up sequence terminates.
551 5. If the signature of the wake-up message could be verified successfully , the
552 Gateway initiates a connection to a pre-configured external entity; however no
553 feedback is given to the sending external entity.

554 More details on the exact implementation of this mechanism can be found in [TR-03109-
555 1, „Wake-Up Service“].

556 1.4.5.6 Privacy Preservation

557 The preservation of the privacy of the consumer is an essential aspect that is imple-
558 mented by the functionality of the TOE as required by this ST.

559 This contains two aspects:

560 The Processing Profiles that the TOE obeys facilitate an approach in which only a mini-
561 mum amount of data have to be submitted to external entities and therewith leave the
562 scope of control of the consumer. The mechanisms “encryption” and “pseudonymisation”
563 ensure that the data can only be read by the intended recipient and only contains an
564 association with the identity of the Meter if this is necessary.

565 On the other hand, the TOE provides the consumer with transparent information about
566 the information flows that happen with their data. In order to achieve this, the TOE im-
567 plements a consumer log that specifically contains the information about the information
568 flows which has been and will be authorised based on the previous and current Pro-
569 cessing Profiles. The access to this consumer log is only possible via a local interface
570 from the HAN and after authentication of the consumer. The TOE does only allow a
571 consumer access to the data in the consumer log that is related to their own consumption
572 or production. The following paragraphs provide more details on the information that is
573 included in this log:

574 **Monitoring of Data Transfers**

575 The TOE keeps track of each data transmission in the consumer log and allows the
576 consumer to see details on which information have been and will be sent (based on the
577 previous and current settings) to which external entity.

578 **Configuration Reporting**

579 The TOE provides detailed and complete reporting in the consumer log of each security
580 and privacy-relevant configuration setting. Additional to device specific configuration set-
581 tings, the consumer log contains the parameters of each Processing Profile. The con-
582 sumer log contains the configured addresses for internal and external entities including
583 the CLS.

584 **Audit Log and Monitoring**

585 The TOE provides all audit data from the consumer log at the user interface
586 IF_GW_CON. Access to the consumer log is only possible after successful authentica-
587 tion and only to information that the consumer has permission to (i.e. that has been
588 recorded based on events belonging to the consumer).

589 1.4.5.7 Management of Security Functions

590 The Gateway provides authorised Gateway Administrators with functionality to manage
591 the behaviour of the security functions and to update the TOE.

592 Further, it is defined that only authorised Gateway Administrators may be able to use
593 the management functionality of the Gateway (while the Security Module is used for the
594 authentication of the Gateway Administrator) and that the management of the Gateway
595 shall only be possible from the WAN side interface.

596 **System Status**

597 The TOE provides information on the current status of the TOE in the system log. Spe-
598 cifically it shall indicate whether the TOE operates normally or any errors have been
599 detected that are of relevance for the administrator.

600 1.4.5.8 Identification and Authentication

601 To protect the TSF as well as User Data and TSF data from unauthorized modification
602 the TOE provides a mechanism that requires each user to be successfully identified and
603 authenticated before allowing any other actions on behalf of that user. This functionality
604 includes the identification and authentication of users who receive data from the

605 Gateway as well as the identification and authentication of CLS located in HAN and
 606 Meters located in LMN.

607 The Gateway provides different kinds of identification and authentication mechanisms
 608 that depend on the user role and the used interfaces. Most of the mechanisms require
 609 the usage of certificates. Only consumers are able to decide whether they use certifi-
 610 cates or username and password for identification and authentication.

611 **1.4.6 The logical interfaces of the TOE**

612 The TOE offers its functionality as outlined before via a set of external interfaces. Figure
 613 2 also indicates the cardinality of the interfaces. The following table provides an overview
 614 of the mandatory external interfaces of the TOE and provides additional information:

Interface Name	Description
IF_GW_CON	Via this interface the Gateway provides the consumer ¹⁹ with the possibility to review information that is relevant for billing or the privacy of the consumer. Specifically the access to the consumer log is only allowed via this interface.
IF_GW_MTR	Interface between the Meter and the Gateway. The Gateway receives Meter Data via this interface. ²⁰
IF_GW_SM	The Gateway invokes the services of its Security Module via this interface.
IF_GW_CLS	CLS may use the communication services of the Gateway via this interface. The implementation of at least one interface for CLS is mandatory.
IF_GW_WAN	The Gateway submits information to authorised external entities via this interface.
IF_GW_SRV	Local interface via which the service technician has the possibility to review information that are relevant to maintain the Gateway. Specifically he has

19 Please note that this interface allows consumer (or consumer's CLS) to connect to the gateway in order to read consumer specific information.

20 Please note that an implementation of this external interface is also required in the case that Meter and Gateway are implemented within one physical device in order to allow the extension of the system by another Meter.

	read access to the system log only via this interface. He has also the possibility to view non-TSF data via this interface.
--	---

615 **Table 3: Mandatory TOE external interfaces**

616 **1.4.7 The cryptography of the TOE and its Security Module**

617 Parts of the cryptographic functionality used in the upper mentioned functions is provided
 618 by a Security Module. The Security Module provides strong cryptographic functionality,
 619 random number generation, secure storage of secrets and supports the authentication
 620 of the Gateway Administrator. The Security Module is a different IT product and not part
 621 of the TOE as described in this ST. Nevertheless, it is physically embedded into the
 622 Gateway and protected by the same level of physical protection. The requirements
 623 applicable to the Security Module are specified in a separate PP (see [SecModPP]).

624 The following table provides a more detailed overview on how the cryptographic
 625 functions are distributed between the TOE and its Security Module.

Aspect	TOE	Security Module
Communication with external entities	<ul style="list-style-type: none"> • encryption • decryption • hashing • key derivation • MAC generation • MAC verification • secure storage of the TLS certificates 	Key negotiation: <ul style="list-style-type: none"> • support of the authentication of the external entity • secure storage of the private key • random number generation • digital signature verification and generation
Communication with the consumer	<ul style="list-style-type: none"> • encryption • decryption • hashing • key derivation • MAC generation • MAC verification • secure storage of the TLS certificates 	Key negotiation: <ul style="list-style-type: none"> • support of the authentication of the consumer • secure storage of the private key • digital signature verification and generation • random number generation

Communication with the Meter	<ul style="list-style-type: none"> • encryption • decryption • hashing • key derivation • MAC generation • MAC verification • secure storage of the TLS certificates 	Key negotiation (in case of TLS connection): <ul style="list-style-type: none"> • support of the authentication of the meter • secure storage of the private key • digital signature verification and generation • random number generation
Signing data before submission to an external entity	<ul style="list-style-type: none"> • hashing 	Signature creation <ul style="list-style-type: none"> • secure storage of the private key
Content data encryption and integrity protection	<ul style="list-style-type: none"> • encryption • decryption • MAC generation • key derivation • secure storage of the public Key 	Key negotiation: <ul style="list-style-type: none"> • secure storage of the private key • random number generation

626 **Table 4: Cryptographic support of the TOE and its Security Module**

627

628 1.4.7.1 Content data encryption vs. an encrypted channel

629 The TOE utilises concepts of the encryption of data on the content level as well as the
630 establishment of a trusted channel to external entities.

631 As a general rule, all processed Meter Data that is prepared to be submitted to ex-
632 ternal entities is encrypted and integrity protected on a content level using CMS (ac-
633 cording to [TR-03109-1-I]).

634 Further, all communication with external entities is enforced to happen via encrypted,
635 integrity protected and mutually authenticated channels.

636 This concept of encryption on two layers facilitates use cases in which the external
637 party that the TOE communicates with is not the final recipient of the Meter Data. In

638 this way, it is for example possible that the Gateway Administrator receives Meter
639 Data that they forward to other parties. In such a case, the Gateway Administrator is
640 the endpoint of the trusted channel but cannot read the Meter Data.

641 Administration data that is transmitted between the Gateway Administrator and the TOE
642 is also encrypted and integrity protected using CMS.

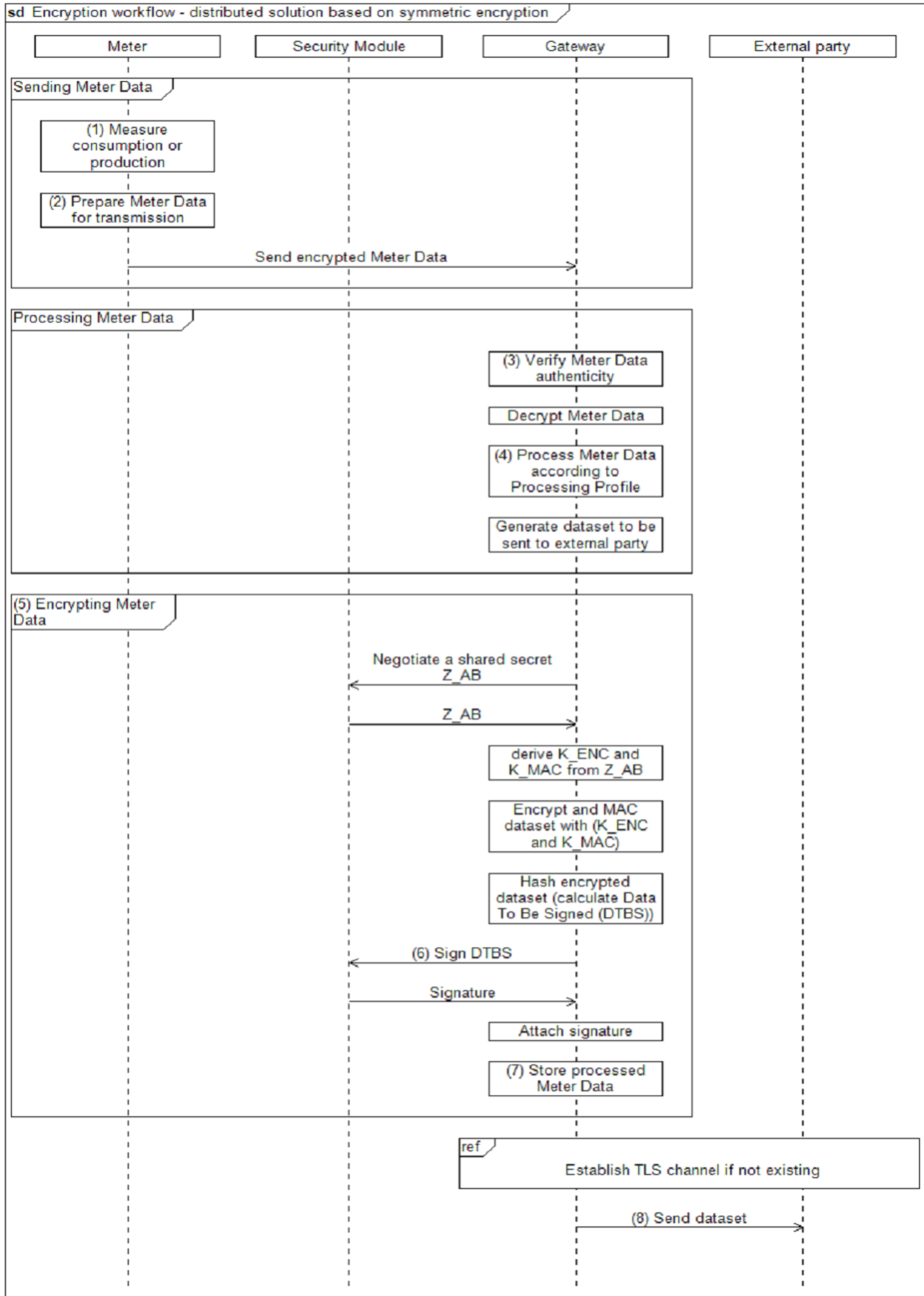
643 The following figure introduces the communication process between the Meter, the TOE
644 and external entities (focussing on billing-relevant Meter Data).

645 The basic information flow for Meter Data is as follows and shown in Figure 5:

- 646 1. The Meter measures the consumption or production of a certain commodity.
- 647 2. The Meter Data is prepared for transmission:
 - 648 a. The Meter Data is typically signed (typically using the services of an
649 integrated Security Module).
 - 650 b. If the communication between the Meter and the Gateway is performed
651 bidirectional, the Meter Data is transmitted via an encrypted and mutually
652 authenticated channel to the Gateway. Please note that the submission of
653 this information may be triggered by the Meter or the Gateway.
- 654 or
- 655 c. If a unidirectional communication is performed between the Meter and the
656 Gateway, the Meter Data is encrypted using a symmetric algorithm
657 (according to [TR-03109-3]) and facilitating a defined data structure to ensure
658 the authenticity and confidentiality.
- 659 3. The authenticity and integrity of the Meter Data is verified by the Gateway.
- 660 4. If (and only if) authenticity and integrity have been verified successfully, the
661 Meter Data is further processed by the Gateway according to the rules in the
662 Processing Profile else the cryptographic information flow will be cancelled.
- 663 5. The processed Meter Data is encrypted and integrity protected using CMS
664 (according to [TR-03109-1-I]) for the final recipient of the data²¹.
- 665 6. The processed Meter Data is signed using the services of the Security Module.
- 666 7. The processed and signed Meter Data may be stored for a certain amount of
667 time.

21 Optionally the Meter Data can additionally be signed before any encryption is done.

- 668 8. The processed Meter Data is finally submitted to an authorised external entity
 669 in the WAN via an encrypted and mutually authenticated channel.



670
 671 **Figure 5: Cryptographic information flow for distributed Meters and Gateway**
 672

673 TOE life-cycle

674 The life-cycle of the TOE can be separated into the following phases:

- 675 1. Development
- 676 2. Production
- 677 3. Pre-personalization at the developer's premises (without Security Module)
- 678 4. Pre-personalization and integration of Security Module
- 679 5. Installation and start of operation
- 680 6. Personalization
- 681 7. Normal operation

682 A detailed description of the phases #1 to #4 and #6 to #7 is provided in [TR-03109-1-
683 VI], while phase #5 is described in the TOE manuals.

684 The TOE will be delivered after phase “Pre-personalization and integration of Security
685 Module”. The phase “Personalization” will be performed when the TOE is started for the
686 first time after phase “Installation and start of operation”. The TOE delivery process is
687 specified in [AGD_SEC].

688 2 Conformance Claims

689 2.1 CC Conformance Claim

- 690 • This ST has been developed using Version 3.1 Revision 5 of Common Criteria
691 [CC].
- 692 • This ST is [CC] part 2 extended due to the use of FPR_CON.1.
- 693 • This ST claims conformance to [CC] part 3; no extended assurance compo-
694 nents have been defined.

695

696 2.2 PP Claim / Conformance Statement

697 This Security Target claims strict conformance to Protection Profile [PP_GW].

698

699 2.3 Package Claim

700 This Security Target claims an assurance package EAL4 augmented by AVA_VAN.5
701 and ALC_FLR.2 as defined in [CC] Part 3 for product certification.

702

703 2.4 Conformance Claim Rationale

704 This Security Target claims strict conformance to only one PP [PP_GW].

705 This Security Target is consistent to the TOE type according to [PP_GW] because the
706 TOE is a communication Gateway that provides different external communication inter-
707 faces and enables the data communication between these interfaces and connected IT
708 systems. It further collects processes, and stores Meter Data.

709 This Security Target is consistent to the security problem defined in [PP_GW].

710 This Security Target is consistent to the security objectives stated in [PP_GW], no secu-
711 rity objective of the PP is removed, nor added to this Security Target.

712 This Security Target is consistent to the security requirements stated in [PP_GW], no
713 security requirement of the PP is removed, nor added to this Security Target.

714

715 **3 Security Problem Definition**

716 **3.1 External entities**

717 The following external entities interact with the system consisting of Meter and Gateway.
 718 Those roles have been defined for the use in this Security Target. It is possible that a
 719 party implements more than one role in practice.

Role	Description
Consumer	The authorised individual or organization that “owns” the Meter Data. In most cases, this will be tenants or house owners consuming electricity, water, gas or further commodities. However, it is also possible that the consumer produces or stores energy (e.g. with their own solar plant).
Gateway Administrator	Authority that installs, configures, monitors, and controls the Smart Meter Gateway.
Service Technician	The authorised individual that is responsible for diagnostic purposes.
Authorised External Entity / User	Human or IT entity possibly interacting with the TOE from outside of the TOE boundary. In the context of this ST, the term <i>user</i> or <i>external entity</i> serve as a hypernym for all entities mentioned before.

720 **Table 5: Roles used in the Security Target**

721

722 **3.2 Assets**

723 The following tables introduces the relevant assets for this Security Target. The tables
 724 focus on the assets that are relevant for the Gateway and does not claim to provide an
 725 overview over all assets in the Smart Metering System or for other devices in the LMN.

726 The following Table 6 lists all assets typified as “user data”:

727

Asset	Description	Need for Protection
Meter Data	<p>Meter readings that allow calculation of the quantity of a commodity, e.g. electricity, gas, water or heat consumed over a period.</p> <p>Meter Data comprise Consumption or Production Data (billing-relevant) and grid status data (not billing-relevant).</p> <p>While billing-relevant data needs to have a relation to the Consumer, grid status data do not have to be directly related to a Consumer.</p>	<ul style="list-style-type: none"> • According to their specific need (see below)
System log data	<p>Log data from the</p> <ul style="list-style-type: none"> • system log. 	<ul style="list-style-type: none"> • Integrity • Confidentiality (only authorised SMGW administrators and Service technicians may read the log data)
Consumer log data	<p>Log data from the</p> <ul style="list-style-type: none"> • consumer log. 	<ul style="list-style-type: none"> • Integrity • Confidentiality (only authorised Consumers may read the log data)
Calibration log data	<p>Log data from the</p> <ul style="list-style-type: none"> • calibration log. 	<ul style="list-style-type: none"> • Integrity • Confidentiality (only authorised SMGW administrators may read the log data)
Consumption Data	<p>Billing-relevant part of Meter Data. Please note that the term <i>Consumption Data</i> implicitly includes Production Data.</p>	<ul style="list-style-type: none"> • Integrity and authenticity (comparable to the classical meter and its security requirements) • Confidentiality (due to privacy concerns)

Status Data	Grid status data, subset of Meter Data that is not billing-relevant ²² .	<ul style="list-style-type: none"> • Integrity and authenticity (comparable to the classical meter and its security requirements) • Confidentiality (due to privacy concerns)
Supplementary Data	The Gateway may be used for communication purposes by devices in the LMN or HAN. It may be that the functionality of the Gateway that is used by such a device is limited to pure (but secure) communication services. Data that is transmitted via the Gateway but that does not belong to one of the aforementioned data types is named <i>Supplementary Data</i> .	<ul style="list-style-type: none"> • According to their specific need
Data	The term <i>Data</i> is used as hypernym for <i>Meter Data and Supplementary Data</i> .	<ul style="list-style-type: none"> • According to their specific need
Gateway time	Date and time of the real-time clock of the Gateway. Gateway Time is used in Meter Data records sent to external entities.	<ul style="list-style-type: none"> • Integrity • Authenticity (when time is adjusted to an external reference time)
Personally Identifiable Information (PII)	Personally Identifiable Information refers to information that can be used to uniquely identify, contact, or locate a single person or can be used with other sources to uniquely identify a single individual.	<ul style="list-style-type: none"> • Confidentiality

728 **Table 6: Assets (User data)**

729 Table 7 lists all assets typified as “TSF data”:

²² Please note that these readings and data of the Meter which are not relevant for billing may require an explicit endorsement of the consumer(s).

Asset	Description	Need for Protection
Meter config (secondary asset)	Configuration data of the Meter to control its behaviour including the Meter identity. Configuration data is transmitted to the Meter via the Gateway.	<ul style="list-style-type: none"> • Integrity and authenticity • Confidentiality
Gateway config (secondary asset)	Configuration data of the Gateway to control its behaviour including the Gateway identity, the Processing Profiles and certificate/key material for authentication.	<ul style="list-style-type: none"> • Integrity and authenticity • Confidentiality
CLS config (secondary asset)	Configuration data of a CLS to control its behaviour. Configuration data is transmitted to the CLS via the Gateway.	<ul style="list-style-type: none"> • Integrity and authenticity • Confidentiality
Firmware update (secondary asset)	Firmware update that is downloaded by the TOE to update the firmware of the TOE.	<ul style="list-style-type: none"> • Integrity and authenticity
Ephemeral keys (secondary asset)	Ephemeral cryptographic material used by the TOE for cryptographic operations.	<ul style="list-style-type: none"> • Integrity and authenticity • Confidentiality

730

Table 7: Assets (TSF data)

731

732 3.3 Assumptions

733 In this threat model the following assumptions about the environment of the components
734 need to be taken into account in order to ensure a secure operation.

735 **A.ExternalPrivacy** It is assumed that authorised and authenticated external
736 entities receiving any kind of privacy-relevant data or bill-
737 ing-relevant data and the applications that they operate are
738 trustworthy (in the context of the data that they receive) and
739 do not perform unauthorised analyses of this data with re-
740 spect to the corresponding Consumer(s).

741 **A.TrustedAdmins** It is assumed that the Gateway Administrator and the Ser-
742 vice Technician are trustworthy and well-trained.

743 **A.PhysicalProtection** It is assumed that the TOE is installed in a non-public en-
744 vironment within the premises of the Consumer which pro-
745 vides a basic level of physical protection. This protection
746 covers the TOE, the Meter(s) that the TOE communicates
747 with and the communication channel between the TOE and
748 its Security Module.

749 **A.ProcessProfile** The Processing Profiles that are used when handling data
750 are assumed to be trustworthy and correct.

751 **A.Update** It is assumed that firmware updates for the Gateway that
752 can be provided by an authorised external entity have un-
753 dergone a certification process according to this Security
754 Target before they are issued and can therefore be as-
755 sumed to be correctly implemented. It is further assumed
756 that the external entity that is authorised to provide the up-
757 date is trustworthy and will not introduce any malware into
758 a firmware update.

759 **A.Network** It is assumed that

- 760 • a WAN network connection with a sufficient reliabil-
761 ity and bandwidth for the individual situation is
762 available,
- 763 • one or more trustworthy sources for an update of
764 the system time are available in the WAN,

- 765
- 766
- 767
- 768
- 769
- the Gateway is the only communication gateway for Meters in the LMN²³,
 - if devices in the HAN have a separate connection to parties in the WAN (beside the Gateway) this connection is appropriately protected.

770 **A.Keygen**

It is assumed that the ECC key pair for a Meter (TLS) is generated securely according to [TR-03109-3] and brought into the Gateway in a secure way by the Gateway Administrator.

774 **Application Note 1:**

This ST acknowledges that the Gateway cannot be completely protected against unauthorised physical access by its environment. However, it is important for the overall security of the TOE that it is not installed within a public environment.

775

776

777

778

779

780

781

782

783

The level of physical protection that is expected to be provided by the environment is the same level of protection that is expected for classical meters that operate according to the regulations of the national calibration authority [TR-03109-1].

784 **Application Note 2:**

The Processing Profiles that are used for information flow control as referred to by A.ProcessProfile are an essential factor for the preservation of the privacy of the Consumer. The Processing Profiles are used to determine which data shall be sent to which entity at which frequency and how data are processed, e.g. whether the data needs to be related to the Consumer (because it is used for billing purposes) or whether the data shall be pseudonymised.

785

786

787

788

789

790

791

792

793

The Processing Profiles shall be visible for the Consumer to allow a transparent communication.

23 Please note that this assumption holds on a logical level rather than on a physical one. It may be possible that the Meters in the LMN have a physical connection to other devices that would in theory also allow a communication. This is specifically true for wireless communication technologies. It is further possible that signals of Meters are amplified by other devices or other Meters on the physical level without violating this assumption. However, it is assumed that the Meters do only communicate with the TOE and that only the TOE is able to decrypt the data sent by the Meter.

794 It is essential that Processing Profiles correctly define the
795 amount of information that must be sent to an external en-
796 tity. Exact regulations regarding the Processing Profiles
797 and the Gateway Administrator are beyond the scope of
798 this Security Target.

799

800 **3.4 Threats**

801 The following sections identify the threats that are posed against the assets handled by
802 the Smart Meter System. Those threats are the result of a threat model that has been
803 developed for the whole Smart Metering System first and then has been focussed on
804 the threats against the Gateway. It should be noted that the threats in the following par-
805 agraphs consider two different kinds of attackers:

- 806 • Attackers having physical access to Meter, Gateway, a connection between
807 these components or local logical access to any of the interfaces (local at-
808 tacker), trying to disclose or alter assets while stored in the Gateway or while
809 transmitted between Meters in the LMN and the Gateway. Please note that the
810 following threat model assumes that the local attacker has less motivation than
811 the WAN attacker as a successful attack of a local attacker will always only
812 impact one Gateway. Please further note that the local attacker includes au-
813 thorised individuals like consumers.
- 814 • An attacker located in the WAN (WAN attacker) trying to compromise the con-
815 fidentiality and/or integrity of the processed Meter Data and or configuration
816 data transmitted via the WAN, or attacker trying to conquer a component of the
817 infrastructure (i.e. Meter, Gateway or Controllable Local System) via the WAN
818 to cause damage to a component itself or to the corresponding grid (e.g. by
819 sending forged Meter Data to an external entity).

820 The specific rationale for this situation is given by the expected benefit of a successful
821 attack. An attacker who has to have physical access to the TOE that they are attacking,
822 will only be able to compromise one TOE at a time. So the effect of a successful attack
823 will always be limited to the attacked TOE. A logical attack from the WAN side on the
824 other hand may have the potential to compromise a large amount of TOEs.

825

826	T.DataModificationLocal	A local attacker may try to modify (i.e. alter, delete, insert, replay or redirect) Meter Data when transmitted between Meter and Gateway, Gateway and Consumer, or Gateway and external entities. The objective of the attacker may be to alter billing-relevant information or grid status information. The attacker may perform the attack via any interface (LMN, HAN, or WAN).
827		
828		
829		
830		
831		
832		
833		In order to achieve the modification, the attacker may also try to modify secondary assets like the firmware or configuration parameters of the Gateway.
834		
835		
836	T.DataModificationWAN	A WAN attacker may try to modify (i.e. alter, delete, insert, replay or redirect) Meter Data, Gateway config data, Meter config data, CLS config data or a firmware update when transmitted between the Gateway and an external entity in the WAN.
837		
838		
839		
840		
841		
842		When trying to modify Meter Data, it is the objective of the WAN attacker to modify billing-relevant information or grid status data.
843		
844		When trying to modify config data or a firmware update, the WAN attacker tries to circumvent security mechanisms of the TOE or tries to get control over the TOE or a device in the LAN that is protected by the TOE.
845		
846		
847		
848	T.TimeModification	A local attacker or WAN attacker may try to alter the Gateway time. The motivation of the attacker could be e.g. to change the relation between date/time and measured consumption or production values in the Meter Data records (e.g. to influence the balance of the next invoice).
849		
850		
851		
852		
853	T.DisclosureWAN	A WAN attacker may try to violate the privacy of the Consumer by disclosing Meter Data or configuration data (Meter config, Gateway config or CLS config) or parts of it when transmitted between Gateway and external entities in the WAN.
854		
855		
856		
857		

858	T.DisclosureLocal	A local attacker may try to violate the privacy of the Consumer by disclosing Meter Data transmitted between the TOE and the Meter. This threat is of specific importance if Meters of more than one Consumer are served by one Gateway.
859		
860		
861		
862		
863	T.Infrastructure	A WAN attacker may try to obtain control over Gateways, Meters or CLS via the TOE, which enables the WAN attacker to cause damage to Consumers or external entities or the grids used for commodity distribution (e.g. by sending wrong data to an external entity).
864		
865		
866		
867		
868		A WAN attacker may also try to conquer a CLS in the HAN first in order to logically attack the TOE from the HAN side.
869		
870	T.ResidualData	By physical and/or logical means a local attacker or a WAN attacker may try to read out data from the Gateway, which travelled through the Gateway before and which are no longer needed by the Gateway (i.e. Meter Data, Meter config, or CLS config).
871		
872		
873		
874		
875	T.ResidentData	A WAN or local attacker may try to access (i.e. read, alter, delete) information to which they don't have permission to while the information is stored in the TOE.
876		
877		
878		While the WAN attacker only uses the logical interface of the TOE that is provided into the WAN, the local attacker may also physically access the TOE.
879		
880		
881	T.Privacy	A WAN attacker may try to obtain more detailed information from the Gateway than actually required to fulfil the tasks defined by its role or the contract with the Consumer. This includes scenarios in which an external entity that is primarily authorised to obtain information from the TOE tries to obtain more information than the information that has been authorised as well as scenarios in which an attacker who is not authorised at all tries to obtain information.
882		
883		
884		
885		
886		
887		
888		
889		
890		

891 3.5 Organizational Security Policies

892 This section lists the organizational security policies (OSP) that the Gateway shall com-
893 ply with:

894 **OSP.SM** The TOE shall use the services of a certified Security Mod-
895 ule for

- 896 • verification of digital signatures,
- 897 • generation of digital signatures,
- 898 • key agreement,
- 899 • key transport,
- 900 • key storage,
- 901 • Random Number Generation,

902 The Security Module shall be certified according to
903 [SecModPP] and shall be used in accordance with its rele-
904 vant guidance documentation.

905 **OSP.Log** The TOE shall maintain a set of log files as defined in [TR-
906 03109-1] as follows:

- 907 1. A system log of relevant events in order to allow an
908 authorised Gateway Administrator to analyse the
909 status of the TOE. The TOE shall also analyse the
910 system log automatically for a cumulation of secu-
911 rity relevant events.
- 912 2. A consumer log that contains information about the
913 information flows that have been initiated to the
914 WAN and information about the Processing Profiles
915 causing this information flow as well as the billing-
916 relevant information.
- 917 3. A calibration log (as defined in chapter 6.2.1) that
918 provides the Gateway Administrator with a possibil-
919 ity to review calibration relevant events.

920 The TOE shall further limit access to the information in the
921 different log files as follows:

- 922 1. Access to the information in the system log shall
923 only be allowed for an authorised Gateway

924 Administrator via the IF_GW_WAN interface of the
925 TOE and an authorised Service Technician via the
926 IF_GW_SRV interface of the TOE.

927 2. Access to the information in the calibration log shall
928 only be allowed for an authorised Gateway Admin-
929 istrator via the IF_GW_WAN interface of the TOE.

930 3. Access to the information in the consumer log shall
931 only be allowed for an authorised Consumer via the
932 IF_GW_CON interface of the TOE. The Consumer
933 shall only have access to their own information.

934 The system log may overwrite the oldest events in case
935 that the audit trail gets full.

936 For the consumer log the TOE shall ensure that a sufficient
937 amount of events is available (in order to allow a Consumer
938 to verify an invoice) but may overwrite older events in case
939 that the audit trail gets full.

940 For the calibration log, however, the TOE shall ensure the
941 availability of all events over the lifetime of the TOE.

942 4 Security Objectives

943 4.1 Security Objectives for the TOE

944 O.Firewall

945 The TOE shall serve as the connection point for the con-
946 nected devices within the LAN to external entities within
947 the WAN and shall provide firewall functionality in order to
948 protect the devices of the LMN and HAN (as long as they
949 use the Gateway) and itself against threats from the WAN
side.

950 The firewall:

- 951 • shall allow only connections established from HAN
- 952 or the TOE itself to the WAN (i.e. from devices in
- 953 the HAN to external entities in the WAN or from the
- 954 TOE itself to external entities in the WAN),
- 955 • shall provide a wake-up service on the WAN side
- 956 interface,
- 957 • shall not allow connections from the LMN to the
- 958 WAN,
- 959 • shall not allow any other services being offered on
- 960 the WAN side interface,
- 961 • shall not allow connections from the WAN to the
- 962 LAN or to the TOE itself,
- 963 • shall enforce communication flows by allowing traf-
- 964 fic from CLS in the HAN to the WAN only if confi-
- 965 dentiality-protected and integrity-protected and if
- 966 endpoints are authenticated.

967 O.SeparateIF

968 The TOE shall have physically separated ports for the
969 LMN, the HAN and the WAN and shall automatically detect
970 during its self test whether connections (wired or wireless),
if any, are wrongly connected.

971 **Application Note 3:** O.SeparateIF refers to physical inter-
972 faces and must not be fulfilled by a pure logical separation
973 of one physical interface only.

974	O.Conceal	To protect the privacy of its Consumers, the TOE shall conceal the communication with external entities in the WAN in order to ensure that no privacy-relevant information may be obtained by analysing the frequency, load, size or the absence of external communication. ²⁴
975		
976		
977		
978		
979	O.Meter	The TOE receives or polls information about the consumption or production of different commodities from one or multiple Meters and is responsible for handling this Meter Data.
980		
981		
982		
983		This includes that:
984		<ul style="list-style-type: none">• The TOE shall ensure that the communication to the Meter(s) is established in an Gateway Administrator-definable interval or an interval as defined by the Meter,
985		
986		
987		
988		<ul style="list-style-type: none">• the TOE shall enforce encryption and integrity protection for the communication with the Meter²⁵,
989		
990		<ul style="list-style-type: none">• the TOE shall verify the integrity and authenticity of the data received from a Meter before handling it further,
991		
992		
993		<ul style="list-style-type: none">• the TOE shall process the data according to the definition in the corresponding Processing Profile,
994		
995		<ul style="list-style-type: none">• the TOE shall encrypt the processed Meter Data for the final recipient, sign the data and
996		
997		<ul style="list-style-type: none">• deliver the encrypted data to authorised external entities as defined in the corresponding Processing Profiles facilitating an encrypted channel,
998		
999		
1000		<ul style="list-style-type: none">• the TOE shall store processed Meter Data if an external entity cannot be reached and re-try to send
1001		

24 It should be noted that this requirement only applies to communication flows in the WAN.

25 It is acknowledged that the implementation of a secure channel between the Meter and the Gateway is a security function of both units. The TOE as defined in this Security Target only has a limited possibility to secure this communication as both sides have to sign responsible for the quality of a cryptographic connection. However, it should be noted that the encryption of this channel only needs to protect against the Local Attacker possessing a basic attack potential and that the Meter utilises the services of its Security Module to negotiate the channel.

1002 the data until a configurable number of unsuccessful
 1003 retrials has been reached,
 1004 • the TOE shall pseudonymize the data for parties
 1005 that do not need the relation between the pro-
 1006 cessed Meter Data and the identity of the Con-
 1007 sumer.

1008 **O.Crypt**

1009 The TOE shall provide cryptographic functionality as fol-
 1010 lows:

- 1010 • authentication, integrity protection and encryption
 1011 of the communication and data to external entities
 1012 in the WAN,
- 1013 • authentication, integrity protection and encryption
 1014 of the communication to the Meter,
- 1015 • authentication, integrity protection and encryption
 1016 of the communication to the Consumer,
- 1017 • replay detection for all communications with exter-
 1018 nal entities,
- 1019 • encryption of the persistently stored TSF and user
 1020 data of the TOE²⁶.

1021 In addition, the TOE shall generate the required keys uti-
 1022 lising the services of its Security Module²⁷, ensure that the
 1023 keys are only used for an acceptable amount of time and
 1024 destroy ephemeral²⁸ keys if no longer needed.²⁹

1025 **O.Time**

1026 The TOE shall provide reliable time stamps and update
 1027 its internal clock in regular intervals by retrieving reliable
 1028 time information from a dedicated reliable source in the
 WAN.

26 The encryption of the persistent memory shall support the protection of the TOE against local attacks.

27 Please refer to chapter 1.4.7 for an overview on how the cryptographic functions are distributed between the TOE and its Security Module.

28 This objective addresses the destruction of ephemeral keys only because all keys that need to be stored persistently are stored in the Security Module.

29 Please refer to chapter F.9 of part 2 of [CC] for more detailed information about what kind of information this objective applies to.

1029	O.Protect	The TOE shall implement functionality to protect its security functions against malfunctions and tampering.
1030		
1031		Specifically, the TOE shall
1032		<ul style="list-style-type: none"> • encrypt its TSF and user data as long as it is not in use,
1033		
1034		<ul style="list-style-type: none"> • overwrite any information that is no longer needed to ensure that it is no longer available via the external interfaces of the TOE³⁰,
1035		
1036		
1037		<ul style="list-style-type: none"> • monitor user data and the TOE firmware for integrity errors,
1038		
1039		<ul style="list-style-type: none"> • contain a test that detects whether the interfaces for WAN and LAN are separate,
1040		
1041		<ul style="list-style-type: none"> • have a fail-safe design that specifically ensures that no malfunction can impact the delivery of a commodity (e.g. energy, gas, heat or water)³¹,
1042		
1043		
1044		<ul style="list-style-type: none"> • make any physical manipulation within the scope of the intended environment detectable for the Consumer and Gateway Administrator.
1045		
1046		
1047	O.Management	The TOE shall only provide authorised Gateway Administrators with functions for the management of the security features.
1048		
1049		
1050		The TOE shall ensure that any change in the behaviour of the security functions can only be achieved from the WAN side interface. Any management activity from a local interface may only be read only.
1051		
1052		
1053		
1054		Further, the TOE shall implement a secure mechanism to update the firmware of the TOE that ensures that only authorised entities are able to provide updates for the TOE
1055		
1056		

³⁰ Please refer to chapter F.9 of part 2 of [CC] for more detailed information about what kind of information this objective applies to.

³¹ Indeed this Security Target acknowledges that the Gateway and the Meters have no possibility at all to impact the delivery of a commodity. Even an intentional stop of the delivery of a certain commodity is not within the scope of this Security Target. It should however be noted that such a functionality may be realised by a CLS that utilises the services of the TOE for its communication.

1057 and that only authentic and integrity protected updates are
1058 applied.

1059 **O.Log**

1060 The TOE shall maintain a set of log files as defined in [TR-
1061 03109-1] as follows:

- 1062 1. A system log of relevant events in order to allow an
1063 authorised Gateway Administrator or an authorised
1064 Service Technician to analyse the status of the
1065 TOE. The TOE shall also analyse the system log
1066 automatically for a cumulation of security relevant
1067 events.
- 1068 2. A consumer log that contains information about the
1069 information flows that have been initiated to the
1070 WAN and information about the Processing Profiles
1071 causing this information flow as well as the billing-
1072 relevant information and information about the sys-
1073 tem status (including relevant error messages).
- 1074 3. A calibration log that provides the Gateway Admin-
1075 istrator with a possibility to review calibration rele-
1076 vant events.

1076 The TOE shall further limit access to the information in the
1077 different log files as follows:

- 1078 1. Access to the information in the system log shall
1079 only be allowed for an authorised Gateway Admin-
1080 istrator via IF_GW_WAN or for an authorised Ser-
1081 vice Technician via IF_GW_SRV.
- 1082 2. Access to the information in the consumer log shall
1083 only be allowed for an authorised Consumer via the
1084 IF_GW_CON interface of the TOE and via a se-
1085 cured (i.e. confidentiality and integrity protected)
1086 connection. The Consumer shall only have access
1087 to their own information.
- 1088 3. Read-only access to the information in the calibra-
1089 tion log shall only be allowed for an authorised

1090 Gateway Administrator via the WAN interface of the
1091 TOE.

1092 The system log may overwrite the oldest events in case
1093 that the audit trail gets full.

1094 For the consumer log, the TOE shall ensure that a suffi-
1095 cient amount of events is available (in order to allow a Con-
1096 sumer to verify an invoice) but may overwrite older events
1097 in case that the audit trail gets full.

1098 For the calibration log however, the TOE shall ensure the
1099 availability of all events over the lifetime of the TOE.

1100 **O.Access** The TOE shall control the access of external entities in
1101 WAN, HAN or LMN to any information that is sent to, from
1102 or via the TOE via its external interfaces³². Access control
1103 shall depend on the destination interface that is used to
1104 send that information.

1105

1106 4.2 Security Objectives for the Operational Environment

1107 **OE.ExternalPrivacy** Authorised and authenticated external entities receiving
1108 any kind of private or billing-relevant data shall be trustwor-
1109 thy and shall not perform unauthorised analyses of these
1110 data with respect to the corresponding consumer(s).

1111 **OE.TrustedAdmins** The Gateway Administrator and the Service Technician
1112 shall be trustworthy and well-trained.

1113 **OE.PhysicalProtection** The TOE shall be installed in a non-public environment
1114 within the premises of the Consumer that provides a basic
1115 level of physical protection. This protection shall cover the
1116 TOE, the Meters that the TOE communicates with and the
1117 communication channel between the TOE and its Security

³² While in classical access control mechanisms the Gateway Administrator gets complete access, the TOE also maintains a set of information (specifically the consumer log) to which Gateway Administrators have restricted access.

1118		Module. Only authorised individuals may physically access
1119		the TOE.
1120	OE.Profile	The Processing Profiles that are used when handling data
1121		shall be obtained from a trustworthy and reliable source
1122		only.
1123	OE.SM	The environment shall provide the services of a certified
1124		Security Module for
1125		<ul style="list-style-type: none">• verification of digital signatures,
1126		<ul style="list-style-type: none">• generation of digital signatures,
1127		<ul style="list-style-type: none">• key agreement,
1128		<ul style="list-style-type: none">• key transport,
1129		<ul style="list-style-type: none">• key storage,
1130		<ul style="list-style-type: none">• Random Number Generation.
1131		The Security Module used shall be certified according to
1132		[SecModPP] and shall be used in accordance with its rele-
1133		vant guidance documentation.
1134	OE.Update	The firmware updates for the Gateway that can be pro-
1135		vided by an authorised external entity shall undergo a cer-
1136		tification process according to this Security Target before
1137		they are issued to show that the update is implemented
1138		correctly. The external entity that is authorised to provide
1139		the update shall be trustworthy and ensure that no mal-
1140		ware is introduced via a firmware update.
1141	OE.Network	It shall be ensured that
1142		<ul style="list-style-type: none">• a WAN network connection with a sufficient reliabil-
1143		ity and bandwidth for the individual situation is
1144		available,
1145		<ul style="list-style-type: none">• one or more trustworthy sources for an update of
1146		the system time are available in the WAN,
1147		<ul style="list-style-type: none">• the Gateway is the only communication gateway for
1148		Meters in the LMN,

- 1149 if devices in the HAN have a separate connection
- 1150 to parties in the WAN (beside the Gateway) this
- 1151 connection is appropriately protected.

1152 **OE.Keygen** It shall be ensured that the ECC key pair for a Meter (TLS)

1153 is generated securely according to the [TR-03109-3]. It

1154 shall also be ensured that the keys are brought into the

1155 Gateway in a secure way by the Gateway Administrator.

1156

1157 4.3 Security Objective Rationale

1158 4.3.1 Overview

1159 The following table gives an overview how the assumptions, threats, and organisational

1160 security policies are addressed by the security objectives. The text of the following sec-

1161 tions justifies this more in detail.

	O.Firewall	O.SeparateIF	O.Conceal	O.Meter	O.Crypt	O.Time	O.Protect	O.Management	O.Log	O.Access	OE.SM	OE.ExternalPrivacy	OE.TrustedAdmins	OE.Physical Protec-	OE.Profile	OE.Update	OE.Network	OE.Keygen
T.DataModification-Local				X	X		X	X					X	X				
T.DataModification-WAN	X				X		X	X					X					
T.TimeModification					X	X	X	X					X	X				
T.DisclosureWAN	X		X		X		X	X					X					
T.DisclosureLocal				X	X		X	X					X	X				
T.Infrastructure	X	X		X	X		X	X					X					
T.ResidualData							X	X					X					

T.ResidentData	X				X		X	X		X			X	X				
T.Privacy	X		X	X	X		X	X					X		X			
OSP.SM					X		X	X		X			X					
OSP.Log							X	X	X	X			X					
A.ExternalPrivacy													X					
A.TrustedAdmins													X					
A.PhysicalProtection														X				
A.ProcessProfile															X			
A.Update																X		
A.Network																	X	
A.Keygen																		X

1162 **Table 8: Rationale for Security Objectives**

1163

1164 **4.3.2 Countering the threats**

1165 The following sections provide more detailed information on how the threats are coun-
 1166 tered by the security objectives for the TOE and its operational environment.

1167

1168 4.3.2.1 General objectives

1169 The security objectives **O.Protect**, **O.Management** and **OE.TrustedAdmins** contribute
 1170 to counter each threat and contribute to each OSP.

1171 **O.Management** is indispensable as it defines the requirements around the management
 1172 of the Security Functions. Without a secure management no TOE can be secure. Also
 1173 **OE.TrustedAdmins** contributes to this aspect as it provides the requirements on the
 1174 availability of a trustworthy Gateway Administrator and Service Technician. **O.Protect** is
 1175 present to ensure that all security functions are working as specified.

1176 Those general objectives will not be addressed in detail in the following paragraphs.

1177 4.3.2.2 T.DataModificationLocal

1178 The threat **T.DataModificationLocal** is countered by a combination of the security ob-
1179 jectives **O.Meter**, **O.Crypt**, **O.Log** and **OE.PhysicalProtection**.

1180 **O.Meter** defines that the TOE will enforce the encryption of communication when receiv-
1181 ing Meter Data from the Meter. **O.Crypt** defines the required cryptographic functionality.
1182 The objectives together ensure that the communication between the Meter and the TOE
1183 cannot be modified or released.

1184 **OE.PhysicalProtection** is of relevance as it ensures that access to the TOE is limited.

1185 4.3.2.3 T.DataModificationWAN

1186 The threat **T.DataModificationWAN** is countered by a combination of the security ob-
1187 jectives **O.Firewall** and **O.Crypt**.

1188 **O.Firewall** defines the connections for the devices within the LAN to external entities
1189 within the WAN and shall provide firewall functionality in order to protect the devices of
1190 the LMN and HAN (as long as they use the Gateway) and itself against threats from the
1191 WAN side. **O.Crypt** defines the required cryptographic functionality. Both objectives to-
1192 gether ensure that the data transmitted between the TOE and the WAN cannot be mod-
1193 ified by a WAN attacker.

1194 4.3.2.4 T.TimeModification

1195 The threat **T.TimeModification** is countered by a combination of the security objectives
1196 **O.Time**, **O.Crypt** and **OE.PhysicalProtection**.

1197 **O.Time** defines that the TOE needs a reliable time stamp mechanism that is also up-
1198 dated from reliable sources regularly in the WAN. **O.Crypt** defines the required crypto-
1199 graphic functionality for the communication to external entities in the WAN. Therewith,
1200 O.Time and O.Crypt are the core objective to counter the threat T.TimeModification.

1201 **OE.PhysicalProtection** is of relevance as it ensures that access to the TOE is limited.

1202 4.3.2.5 T.DisclosureWAN

1203 The threat **T.DisclosureWAN** is countered by a combination of the security objectives
1204 **O.Firewall**, **O.Conceal** and **O.Crypt**.

1205 **O.Firewall** defines the connections for the devices within the LAN to external entities
1206 within the WAN and shall provide firewall functionality in order to protect the devices of
1207 the LMN and HAN (as long as they use the Gateway) and itself against threats from the
1208 WAN side. **O.Crypt** defines the required cryptographic functionality. Both objectives

1209 together ensure that the communication between the Meter and the TOE cannot be dis-
1210 closed.

1211 **O.Conceal** ensures that no information can be disclosed based on additional character-
1212 istics of the communication like frequency, load or the absence of a communication.

1213 4.3.2.6 T.DisclosureLocal

1214 The threat **T.DisclosureLocal** is countered by a combination of the security objectives
1215 **O.Meter**, **O.Crypt** and **OE.PhysicalProtection**.

1216 **O.Meter** defines that the TOE will enforce the encryption and integrity protection of com-
1217 munication when polling or receiving Meter Data from the Meter. **O.Crypt** defines the
1218 required cryptographic functionality. Both objectives together ensure that the communi-
1219 cation between the Meter and the TOE cannot be disclosed.

1220 **OE.PhysicalProtection** is of relevance as it ensures that access to the TOE is limited.

1221 4.3.2.7 T.Infrastructure

1222 The threat **T.Infrastructure** is countered by a combination of the security objectives
1223 **O.Firewall**, **O.SeparateIF**, **O.Meter** and **O.Crypt**.

1224 **O.Firewall** is the core objective that counters this threat. It ensures that all communica-
1225 tion flows to the WAN are initiated by the TOE. The fact that the TOE does not offer any
1226 services to the WAN side and will not react to any requests (except the wake-up call)
1227 from the WAN is a significant aspect in countering this threat. Further the TOE will only
1228 communicate using encrypted channels to authenticated and trustworthy parties which
1229 mitigates the possibility that an attacker could try to hijack a communication.

1230 **O.Meter** defines that the TOE will enforce the encryption and integrity protection for the
1231 communication with the Meter.

1232 **O.SeparateIF** facilitates the disjunction of the WAN from the LMN.

1233 **O.Crypt** supports the mitigation of this threat by providing the required cryptographic
1234 primitives.

1235 4.3.2.8 T.ResidualData

1236 The threat **T.ResidualData** is mitigated by the security objective **O.Protect** as this se-
1237 curity objective defines that the TOE shall delete information as soon as it is no longer
1238 used. Assuming that a TOE follows this requirement, an attacker cannot read out any
1239 residual information as it does simply not exist.

1240 4.3.2.9 T.ResidentData

1241 The threat **T.ResidentData** is countered by a combination of the security objectives
1242 **O.Access**, **O.Firewall**, **O.Protect** and **O.Crypt**. Further, the environment (**OE.Physi-**
1243 **calProtection** and **OE.TrustedAdmins**) contributes to this.

1244 **O.Access** defines that the TOE shall control the access of users to information via the
1245 external interfaces.

1246 The aspect of a local attacker with physical access to the TOE is covered by a combi-
1247 nation of **O.Protect** (defining the detection of physical manipulation) and **O.Crypt** (re-
1248 quiring the encryption of persistently stored TSF and user data of the TOE). In addition,
1249 the physical protection provided by the environment (**OE.PhysicalProtection**) and the
1250 Gateway Administrator (**OE.TrustedAdmins**) who could realise a physical manipulation
1251 contribute to counter this threat.

1252 The aspect of a WAN attacker is covered by **O.Firewall** as this objective ensures that
1253 an adequate level of protection is realised against attacks from the WAN side.

1254 4.3.2.10 T.Privacy

1255 The threat **T.Privacy** is primarily addressed by the security objectives **O.Meter**, **O.Crypt**
1256 and **O.Firewall** as these objective ensures that the TOE will only distribute Meter Data
1257 to external parties in the WAN as defined in the corresponding Processing Profiles and
1258 that the data will be protected for the transfer. **OE.Profile** is present to ensure that the
1259 Processing Profiles are obtained from a trustworthy and reliable source only.

1260 Finally, **O.Conceal** ensures that an attacker cannot obtain the relevant information for
1261 this threat by observing external characteristics of the information flow.

1262 **4.3.3 Coverage of organisational security policies**

1263 The following sections provide more detailed information about how the security objec-
1264 tives for the environment and the TOE cover the organizational security policies.

1265 4.3.3.1 OSP.SM

1266 The Organizational Security Policy **OSP.SM** that mandates that the TOE utilises the ser-
1267 vices of a certified Security Module is directly addressed by the security objectives
1268 **OE.SM** and **O.Crypt**. The objective **OE.SM** addresses the functions that the Security
1269 Module shall be utilised for as defined in **OSP.SM** and also requires a certified Security
1270 Module. **O.Crypt** defines the cryptographic functionalities for the TOE itself. In this

1271 context, it has to be ensured that the Security Module is operated in accordance with its
1272 guidance documentation.

1273 4.3.3.2 OSP.Log

1274 The Organizational Security Policy **OSP.Log** that mandates that the TOE maintains an
1275 audit log is directly addressed by the security objective for the TOE **O.Log**.

1276 **O.Access** contributes to the implementation of the OSP as it defines that also Gateway
1277 Administrators are not allowed to read/modify all data. This is of specific importance to
1278 ensure the confidentiality and integrity of the log data as is required by the **OSP.Log**.

1279 4.3.4 Coverage of assumptions

1280 The following sections provide more detailed information about how the security objec-
1281 tives for the environment cover the assumptions.

1282 4.3.4.1 A.ExternalPrivacy

1283 The assumption **A.ExternalPrivacy** is directly and completely covered by the security
1284 objective **OE.ExternalPrivacy**. The assumption and the objective for the environment
1285 are drafted in a way that the correspondence is obvious.

1286 4.3.4.2 A.TrustedAdmins

1287 The assumption **A.TrustedAdmins** is directly and completely covered by the security
1288 objective **OE.TrustedAdmins**. The assumption and the objective for the environment
1289 are drafted in a way that the correspondence is obvious.

1290 4.3.4.3 A.PhysicalProtection

1291 The assumption **A.PhysicalProtection** is directly and completely covered by the secu-
1292 rity objective **OE.PhysicalProtection**. The assumption and the objective for the envi-
1293 ronment are drafted in a way that the correspondence is obvious.

1294 4.3.4.4 A.ProcessProfile

1295 The assumption **A.ProcessProfile** is directly and completely covered by the security
1296 objective **OE.Profile**. The assumption and the objective for the environment are drafted
1297 in a way that the correspondence is obvious.

1298 4.3.4.5 A.Update

1299 The assumption **A.Update** is directly and completely covered by the security objective
1300 **OE.Update**. The assumption and the objective for the environment are drafted in a way
1301 that the correspondence is obvious.

1302 4.3.4.6 A.Network

1303 The assumption **A.Network** is directly and completely covered by the security objective
1304 **OE.Network**. The assumption and the objective for the environment are drafted in a way
1305 that the correspondence is obvious.

1306 4.3.4.7 A.Keygen

1307 The assumption **A.Keygen** is directly and completely covered by the security objective
1308 **OE.Keygen**. The assumption and the objective for the environment are drafted in a way
1309 that the correspondence is obvious.

1310

1311 5 Extended Component definition

1312 5.1 Communication concealing (FPR_CON)

1313 The additional family Communication concealing (FPR_CON) of the Class FPR (Pri-
1314 vacy) is defined here to describe the specific IT security functional requirements of the
1315 TOE. The TOE shall prevent attacks against Personally Identifiable Information (PII) of
1316 the Consumer that may be obtained by an attacker by observing the encrypted commu-
1317 nication of the TOE with remote entities.

1318

1319 5.2 Family behaviour

1320 This family defines requirements to mitigate attacks against communication channels in
1321 which an attacker tries to obtain privacy relevant information based on characteristics of
1322 an encrypted communication channel. Examples include but are not limited to an analy-
1323 sis of the frequency of communication or the transmitted workload.

1324

1325 5.3 Component levelling

1326 FPR_CON: Communication concealing -----1

1327

1328 5.4 Management

1329 The following actions could be considered for the management functions in FMT:

- 1330 a. Definition of the interval in FPR_CON.1.2 if definable within the operational
1331 phase of the TOE.

1332

1333 5.5 Audit

1334 There are no auditable events foreseen.

1335

1336 5.6 Communication concealing (FPR_CON.1)

1337 Hierarchical to: No other components.

1338 Dependencies: No dependencies.

1339 FPR_CON.1.1 The TSF shall enforce the [assignment: *information*
1340 *flow policy*] in order to ensure that no personally iden-
1341 tifiable information (PII) can be obtained by an analysis
1342 of [assignment: *characteristics of the information flow*
1343 *that need to be concealed*].

1344 FPR_CON.1.2 The TSF shall connect to [assignment: *list of external*
1345 *entities*] in intervals as follows [selection: *weekly,*
1346 *daily, hourly, [assignment: other interval]*] to conceal
1347 the data flow.

1348 6 Security Requirements

1349 6.1 Overview

1350 This chapter describes the security functional and the assurance requirements which
 1351 have to be fulfilled by the TOE. Those requirements comprise functional components
 1352 from part 2 of [CC] and the assurance components as defined for the Evaluation Assur-
 1353 ance Level 4 from part 3 of [CC].

1354 The following notations are used:

- 1355 • **Refinement** operation (denoted by **bold text**): is used to add details to a re-
 1356 quirement, and thus further restricts a requirement. In case that a word has
 1357 been deleted from the original text this refinement is indicated by crossed out
 1358 ~~bold text~~.
- 1359 • **Selection** operation (denoted by underlined text): is used to select one or more
 1360 options provided by the [CC] in stating a requirement.
- 1361 • **Assignment** operation (denoted by *italicised text*): is used to assign a specific
 1362 value to an unspecified parameter, such as the length of a password.
- 1363 • **Iteration** operation: are identified with a suffix in the name of the SFR (e.g.
 1364 FDP_IFC.2/FW).

1365 It should be noted that the requirements in the following chapters are not necessarily be
 1366 ordered alphabetically. Where useful the requirements have been grouped.

1367 The following table summarises all TOE security functional requirements of this ST:

Class FAU: Security Audit	
FAU_ARP.1/SYS	Security alarms for system log
FAU_GEN.1/SYS	Audit data generation for system log
FAU_SAA.1/SYS	Potential violation analysis for system log
FAU_SAR.1/SYS	Audit review for system log
FAU_STG.4/SYS	Prevention of audit data loss for the system log
FAU_GEN.1/CON	Audit data generation for consumer log

FAU_SAR.1/CON	Audit review for consumer log
FAU_STG.4/CON	Prevention of audit data loss for the consumer log
FAU_GEN.1/CAL	Audit data generation for calibration log
FAU_SAR.1/CAL	Audit review for calibration log
FAU_STG.4/CAL	Prevention of audit data loss for the calibration log
FAU_GEN.2	User identity association
FAU_STG.2	Guarantees of audit data availability
Class FCO: Communication	
FCO_NRO.2	Enforced proof of origin
Class FCS: Cryptographic Support	
FCS_CKM.1/TLS	Cryptographic key generation for TLS
FCS_COP.1/TLS	Cryptographic operation for TLS
FCS_CKM.1/CMS	Cryptographic key generation for CMS
FCS_COP.1/CMS	Cryptographic operation for CMS
FCS_CKM.1/MTR	Cryptographic key generation for Meter communication encryption
FCS_COP.1/MTR	Cryptographic operation for Meter communication encryption
FCS_CKM.4	Cryptographic key destruction
FCS_COP.1/HASH	Cryptographic operation for Signatures
FCS_COP.1/MEM	Cryptographic operation for TSF and user data encryption

Class FDP: User Data Protection	
FDP_ACC.2	Complete Access Control
FDP_ACF.1	Security attribute based access control
FDP_IFC.2/FW	Complete information flow control for firewall
FDP_IFF.1/FW	Simple security attributes for Firewall
FDP_IFC.2/MTR	Complete information flow control for Meter information flow
FDP_IFF.1/MTR	Simple security attributes for Meter information
FDP_RIP.2	Full residual information protection
FDP_SDI.2	Stored data integrity monitoring and action
Class FIA: Identification and Authentication	
FIA_ATD.1	User attribute definition
FIA_AFL.1	Authentication failure handling
FIA_UAU.2	User authentication before any action
FIA_UAU.5	Multiple authentication mechanisms
FIA_UAU.6	Re-Authenticating
FIA_UID.2	User identification before any action
FIA_USB.1	User-subject binding
Class FMT: Security Management	
FMT_MOF.1	Management of security functions behaviour
FMT_SMF.1	Specification of Management Functions
FMT_SMR.1	Security roles

FMT_MSA.1/AC	Management of security attributes for Gateway access policy
FMT_MSA.3/AC	Static attribute initialisation for Gateway access policy
FMT_MSA.1/FW	Management of security attributes for Firewall policy
FMT_MSA.3/FW	Static attribute initialisation for Firewall policy
FMT_MSA.1/MTR	Management of security attributes for Meter policy
FMT_MSA.3/MTR	Static attribute initialisation for Meter policy
Class FPR: Privacy	
FPR_CON.1	Communication Concealing
FPR_PSE.1	Pseudonymity
Class FPT: Protection of the TSF	
FPT_FLS.1	Failure with preservation of secure state
FPT_RPL.1	Replay Detection
FPT_STM.1	Reliable time stamps
FPT_TST.1	TSF testing
FPT_PHP.1	Passive detection of physical attack
Class FTP: Trusted path/channels	
FTP_ITC.1/WAN	Inter-TSF trusted channel for WAN
FTP_ITC.1/MTR	Inter-TSF trusted channel for Meter
FTP_ITC.1/USR	Inter-TSF trusted channel for User

Table 9: List of Security Functional Requirements

1369 **6.2 Class FAU: Security Audit**

1370 **6.2.1 Introduction**

1371 The TOE compliant to this Security Target shall implement three different audit logs as
 1372 defined in **OSP.Log** and **O.Log**. The following table provides an overview over the three
 1373 audit logs before the following chapters introduce the SFRs related to those audit logs.

	System-Log	Consumer-Log	Calibration-Log
Purpose	<ul style="list-style-type: none"> • Inform the Gateway Administrator about security relevant events • Log all events as defined by Common Criteria [CC] for the used SFR • Log all system relevant events on specific functionality • Automated alarms in case of a cumulation of certain events • Inform the Service Technician about the status of the Gateway 	<ul style="list-style-type: none"> • Inform the Consumer about all information flows to the WAN • Inform the Consumer about the Processing Profiles • Inform the Consumer about other metering data (not billing-relevant) • Inform the Consumer about all billing-relevant data needed to verify an invoice 	<ul style="list-style-type: none"> • Track changes that are relevant for the calibration of the TOE relevant data needed to verify an invoice
Data	<ul style="list-style-type: none"> • As defined by CC part 2 • Augmented by specific events for the security functions 	<ul style="list-style-type: none"> • Information about all information flows to the WAN • Information about the current and the previous Processing Profiles • Non-billing-relevant Meter Data • Information about the system status (including relevant errors) 	<ul style="list-style-type: none"> • Calibration relevant data only

		<ul style="list-style-type: none"> Billing-relevant data needed to verify an invoice 	
Access	<ul style="list-style-type: none"> Access by authorised Gateway Administrator and via IF_GW_WAN only Events may only be deleted by an authorised Gateway Administrator via IF_GW_WAN Read access by authorised Service Technician via IF_GW_SRV only 	<ul style="list-style-type: none"> Read access by authorised Consumer and via IF_GW_CON only to the data related to the current consumer 	<ul style="list-style-type: none"> Read access by authorised Gateway Administrator and via IF_GW_WAN only
Deletion	<ul style="list-style-type: none"> Ring buffer. The availability of data has to be ensured for a sufficient amount of time Overwriting old events is possible if the memory is full. 	<ul style="list-style-type: none"> Ring buffer. The availability of data has to be ensured for a sufficient amount of time. Overwriting old events is possible if the memory is full Retention period is set by authorised Gateway Administrator on request by consumer, data older than this are deleted. 	<ul style="list-style-type: none"> The availability of data has to be ensured over the lifetime of the TOE.

1374

Table 10: Overview over audit processes

1375	6.2.2 Security Requirements for the System Log	
1376	6.2.2.1 Security audit automatic response (FAU_ARP)	
1377	6.2.2.1.1 FAU_ARP.1/SYS: Security Alarms for system log	
1378	FAU_ARP.1.1/SYS	The TSF shall take <i>inform an authorised Gateway Administrator and create a log entry in the system log</i> ³³
1379		upon detection of a potential security violation.
1380		
1381	Hierarchical to:	No other components
1382	Dependencies:	FAU_SAA.1 Potential violation analysis
1383		
1384	6.2.2.2 Security audit data generation (FAU_GEN)	
1385	6.2.2.2.1 FAU_GEN.1/SYS: Audit data generation for system log	
1386	FAU_GEN.1.1/SYS	The TSF shall be able to generate an audit record of the
1387		following auditable events:
1388		a) Start-up and shutdown of the audit functions;
1389		b) All auditable events for the <u>basic</u> ³⁴ level of audit; and
1390		c) <i>other non privacy relevant auditable events: none</i> ³⁵ .
1391	FAU_GEN.1.2/SYS	The TSF shall record within each audit record at least the
1392		following information:
1393		a) Date and time of the event, type of event, subject identity
1394		(if applicable), and the outcome (success or failure) of the
1395		event; and
1396		b) For each audit event type, based on the auditable event
1397		definitions of the functional components included in the
1398		PP/ST ³⁶ , <i>other audit relevant information: none</i> ³⁷ .

33 [assignment: *list of actions*]

34 [selection, choose one of: *minimum, basic, detailed, not specified*]

35 [assignment: *other specifically defined auditable events*]

36 [refinement: *PP/ST*]

37 [assignment: *other audit relevant information*]

1399	Hierarchical to:	No other components
1400	Dependencies:	FPT_STM.1
1401	6.2.2.3 Security audit analysis (FAU_SAA)	
1402	6.2.2.3.1 FAU_SAA.1/SYS: Potential violation analysis for system	
1403	log	
1404	FAU_SAA.1.1./SYS	The TSF shall be able to apply a set of rules in monitoring
1405		the audited events and based upon these rules indicate a
1406		potential violation of the enforcement of the SFRs.
1407	FAU_SAA.1.2/SYS	The TSF shall enforce the following rules for monitoring
1408		audited events:
1409		a) Accumulation or combination of
1410		<ul style="list-style-type: none"> • <i>Start-up and shutdown of the audit functions</i>
1411		<ul style="list-style-type: none"> • <i>all auditable events for the basic level of audit</i>
1412		<ul style="list-style-type: none"> • <i>all types of failures in the TSF as listed in</i>
1413		<i>FPT_FLS.1</i> ³⁸
1414		known to indicate a potential security violation.
1415		b) <i>any other rules: none</i> ³⁹ .
1416	Hierarchical to:	No other components
1417	Dependencies:	FAU_GEN.1
1418	6.2.2.4 Security audit review (FAU_SAR)	
1419	6.2.2.4.1 FAU_SAR.1/SYS: Audit Review for system log	
1420	FAU_SAR.1.1/SYS	The TSF shall provide <i>only authorised Gateway</i>
1421		<i>Administrators via the IF_GW_WAN interface and</i>
1422		<i>authorised Service Technicians via the IF_GW_SRV</i>

³⁸ [assignment: *subset of defined auditable events*]

³⁹ [assignment: *any other rules*]

1423		<i>interface</i> ⁴⁰ with the capability to read all information ⁴¹
1424		from the system audit records ⁴² .
1425	FAU_SAR.1.2/SYS	The TSF shall provide the audit records in a manner
1426		suitable for the user to interpret the information.
1427	Hierarchical to:	No other components
1428	Dependencies:	FAU_GEN.1
1429	6.2.2.5 Security audit event storage (FAU_STG)	
1430	6.2.2.5.1 FAU_STG.4/SYS: Prevention of audit data loss for	
1431	systemlog	
1432	FAU_STG.4.1/SYS	The TSF shall <u>overwrite the oldest stored audit records</u> ⁴³
1433		and other actions to be taken in case of audit storage
1434		failure: none ⁴⁴ if the system audit trail ⁴⁵ is full.
1435	Hierarchical to:	FAU_STG.3 Action in case of possible audit data loss
1436	Dependencies:	FAU_STG.1 Protected audit trail storage
1437	Application Note 4:	The size of the audit trail that is available before the oldest
1438		events get overwritten is configurable for the Gateway
1439		Administrator.

40 [assignment: *authorised users*]

41 [assignment: *list of audit information*]

42 [refinement: *audit records*]

43 [selection, choose one of: "*ignore audited events*", "*prevent audited events, except those taken by the authorised user with special rights*", "*overwrite the oldest stored audit records*"]

44 [assignment: *other actions to be taken in case of audit storage failure*]

45 [refinement: *audit trail*]

1440	6.2.3 Security Requirements for the Consumer Log	
1441	6.2.3.1 Security audit data generation (FAU_GEN)	
1442	6.2.3.1.1 FAU_GEN.1/CON: Audit data generation for consumer log	
1443	FAU_GEN.1.1/CON	The TSF shall be able to generate an audit record of the
1444		following auditable events:
1445		a) Start-up and shutdown of the audit functions;
1446		b) All auditable events for the <u>not specified</u> ⁴⁶ level of audit;
1447		and
1448		c) <i>all audit events as listed in Table 11 and additional</i>
1449		<i>events: none</i> ⁴⁷ .
1450	FAU_GEN.1.2/CON	The TSF shall record within each audit record at least the
1451		following information:
1452		a) Date and time of the event, type of event, subject identity
1453		(if applicable), and the outcome (success or failure) of the
1454		event; and
1455		b) For each audit event type, based on the auditable event
1456		definitions of the functional components included in the
1457		PP/ST ⁴⁸ , <i>additional information as listed in Table 11 and</i>
1458		<i>additional events: none</i> ⁴⁹ .
1459	Hierarchical to:	No other components
1460	Dependencies:	FPT_STM.1
1461		

⁴⁶ [selection, choose one of: *minimum, basic, detailed, not specified*]

⁴⁷ [assignment: *other specifically defined auditable events*]

⁴⁸ [refinement: *PP/ST*]

⁴⁹ [assignment: *other audit relevant information*]

1468		<i>information that are related to them</i> ⁵¹ from the consumer
1469		audit records ⁵² .
1470	FAU_SAR.1.2/CON	The TSF shall provide the audit records in a manner
1471		suitable for the user to interpret the information.
1472	Hierarchical to:	No other components
1473	Dependencies:	FAU_GEN.1
1474	Application Note 5:	FAU_SAR.1.2/CON shall ensure that the Consumer is
1475		able to interpret the information that is provided to him in a
1476		way that allows him to verify the invoice.
1477	6.2.3.3 Security audit event storage (FAU_STG)	
1478	6.2.3.3.1 FAU_STG.4/CON: Prevention of audit data loss for the	
1479	consumer log	
1480	FAU_STG.4.1/CON	The TSF shall <u>overwrite the oldest stored audit records</u> and
1481		<i>interrupt metrological operation in case that the oldest</i>
1482		<i>audit record must still be kept for billing verification</i> ⁵³ if the
1483		consumer audit trail is full.
1484	Hierarchical to:	FAU_STG.3 Action in case of possible audit data loss
1485	Dependencies:	FAU_STG.1 Protected audit trail storage
1486	Application Note 6:	The size of the audit trail that is available before the oldest
1487		events get overwritten is configurable for the Gateway
1488		Administrator.

51 [assignment: *list of audit information*]

52 [refinement: *audit records*]

53 [assignment: *other actions to be taken in case of audit storage failure*]

1489	6.2.4 Security Requirements for the Calibration Log	
1490	6.2.4.1 Security audit data generation (FAU_GEN)	
1491	6.2.4.1.1 FAU_GEN.1/CAL: Audit data generation for calibration log	
1492	FAU_GEN.1.1/CAL	The TSF shall be able to generate an audit record of the
1493		following auditable events:
1494		a) Start-up and shutdown of the audit functions;
1495		b) All auditable events for the <u>not specified</u> ⁵⁴ level of audit;
1496		and
1497		c) <i>all calibration-relevant information according to Table</i>
1498		<i>12</i> ⁵⁵ .
1499	FAU_GEN.1.2/CAL	The TSF shall record within each audit record at least the
1500		following information:
1501		a) Date and time of the event, type of event, subject identity
1502		(if applicable), and the outcome (success or failure) of the
1503		event; and
1504		b) For each audit event type, based on the auditable event
1505		definitions of the functional components included in the
1506		PP/ST ⁵⁶ , <i>other audit relevant information: none</i> ⁵⁷ .
1507	Hierarchical to:	No other components
1508	Dependencies:	FPT_STM.1
1509	Application Note 7:	The calibration log serves to fulfil national requirements in
1510		the context of the calibration of the TOE.
1511		

54 [selection, choose one of: *minimum, basic, detailed, not specified*]

55 [assignment: *other specifically defined auditable events*]

56 [refinement: *PP/ST*]

57 [assignment: *other audit relevant information*]

Event / Parameter	Content
Commissioning	Commissioning of the SMGW MUST be logged in calibration log.
Event of self-test	Initiation of self-test MUST be logged in calibration log.
New meter	Connection and registration of a new meter MUST be logged in calibration log.
Meter removal	Removal of a meter from SMGW MUST be logged in calibration log.
Change of tarification profiles	<p>Every change (incl. parameter change) of a tarification profile according to [TR-03109-1, 4.4], provided the parameter is relevant for calibration regulations (see below) as well as new storage or removal of tarification profiles MUST be logged in calibration log.</p> <p>Parameter relevant for calibration regulations are:</p> <ul style="list-style-type: none"> • Device-ID of a meter - Unique identifier of the meter, which send the input values for a TAF • OBIS value of the measured variable of the meter - Unique value for the measured variable of the meter for the used TAF • Metering point name - Unique name of the metering point • Billing period - Period in which a billing should be done • Consumer ID • Validity period - Period for which the TAF is booked • Definition of tariff stages - Defines different tariff stages and associated OBIS values. Here it will be defined which tariff stage is valid at the time of rule set activation • Tariff switching time - Defines to the split second the switching of tariff stages. The time points can be defined as periodic values • Register period - Time distance of two consecutive measured value acquisitions for meter readings

Change of meter profiles	<p>Every change (incl. parameter change) of a meter profile according to [TR-03109-1, 4.4], provided the parameter is relevant for calibration regulations (see below) as well as new storage or removal of meter profiles MUST be logged in calibration log.</p> <p>Parameter relevant for legal metrology are:</p> <ul style="list-style-type: none"> • Device-ID - Unique identifier of the meter according to DIN 43863-5 • Key material - Public key for inner signature (dependent on the used meter in LMN) • Register period - Interval during receipt of meter values • Displaying interval ('Anzeigeintervall') - Interval during which the actual meter value (only during display) must be updated in case of bidirectional communication between meter and SMGW • Balancing ('Saldierend') - Determines if the meter is balancing ('saldierend') and meter values can grow and fall • OBIS values - OBIS values according to IEC-62056-6-1 resp. EN 13757-1 • Converter factor ('Wandlerfaktor') - Value is 1 in case of directly connected meter. In usage of converter counter ('Wandlerzähler') the value may be different.
Software update	Every update of the code which touches calibration regulations (serialized COSEM-objects, rules) MUST be logged in calibration log.
Firmware update	Every firmware update (incl. operating system update if applicable) MUST be logged in calibration log.
Error messages of a meter	<p>All FATAL messages of a connected meter MUST be logged in calibration log according to</p> <p>0 - no error</p> <p>1 - Warning, no action to be done according to calibration authority, meter value valid</p>

	<p>2 - Temporal error, send meter value will be marked as invalid, the value in meter field ('Messwertfeld') could be used according to the rules of [VDE4400] resp. [G865] as replacement value ('Ersatzwert') in backend.</p> <p>3 - Temporal error, send meter value is invalid; the value in the meter field ('Messwertfeld') cannot be used as replacement value in backend.</p> <p>4 - Fatal error (meter defect), actual send value is invalid and all future values will be invalid. including the device-ID.</p>
<p>Error messages of a SMGW</p>	<p>All self-test and calibration regulations relevant errors MUST be logged in calibration log.</p>

1512

Table 12: Content of calibration log

1513

1514	6.2.4.2 Security audit review (FAU_SAR)	
1515	6.2.4.2.1 FAU_SAR.1/CAL: Audit Review for the calibration log	
1516	FAU_SAR.1.1/CAL	The TSF shall provide <i>only authorised Gateway Administrators via the IF_GW_WAN interface</i> ⁵⁸ with the capability to read <i>all information</i> ⁵⁹ from the calibration audit records ⁶⁰ .
1517		
1518		
1519		
1520	FAU_SAR.1.2/CAL	The TSF shall provide the audit records in a manner suitable for the user to interpret the information.
1521		
1522	Hierarchical to:	No other components
1523	Dependencies:	FAU_GEN.1
1524	6.2.4.3 Security audit event storage (FAU_STG)	
1525	6.2.4.3.1 FAU_STG.4/CAL: Prevention of audit data loss for calibration log	
1526		
1527	FAU_STG.4.1/CAL	The TSF shall <u>ignore audited events</u> ⁶¹ and <i>stop the operation of the TOE and inform a Gateway Administrator</i> ⁶² if the calibration audit trail ⁶³ is full.
1528		
1529		
1530	Hierarchical to:	FAU_STG.3 Action in case of possible audit data loss
1531	Dependencies:	FAU_STG.1 Protected audit trail storage
1532	Application Note 8:	As outlined in the introduction it has to be ensured that the events of the calibration log are available over the lifetime of the TOE.
1533		
1534		

58 [assignment: *authorised users*]

59 [assignment: *list of audit information*]

60 [refinement: *audit records*]

61 [selection, choose one of: "*ignore audited events*", "*prevent audited events, except those taken by the authorised user with special rights*", "*overwrite the oldest stored audit records*"]

62 [assignment: *other actions to be taken in case of audit storage failure*]

63 [refinement: *audit trail*]

1535 **6.2.5 Security Requirements that apply to all logs**

1536 6.2.5.1 Security audit data generation (FAU_GEN)

1537 **6.2.5.1.1 FAU_GEN.2: User identity association**

1538 FAU_GEN.2.1 For audit events resulting from actions of identified users,
1539 the TSF shall be able to associate each auditable event
1540 with the identity of the user that caused the event.

1541 Hierarchical to: No other components

1542 Dependencies: FAU_GEN.1

1543 FIA_UID.1

1544 **Application Note 9:** Please note that FAU_GEN.2 applies to all audit logs, the
1545 system log, the calibration log, and the consumer log.

1546	6.2.5.2 Security audit event storage (FAU_STG)	
1547	6.2.5.2.1 FAU_STG.2: Guarantees of audit data availability	
1548	FAU_STG.2.1	The TSF shall protect the stored audit records in the all
1549		audit trails ⁶⁴ from unauthorised deletion.
1550	FAU_STG.2.2	The TSF shall be able to <u>prevent</u> ⁶⁵ unauthorised
1551		modifications to the stored audit records in the all audit
1552		trails ⁶⁶ .
1553	FAU_STG.2.3	The TSF shall ensure that <i>all</i> ⁶⁷ stored audit records will be
1554		maintained when the following conditions occur: <u>audit</u>
1555		<u>storage exhaustion or failure</u> ⁶⁸ .
1556	Hierarchical to:	FAU_STG.1 Protected audit trail storage
1557	Dependencies:	FAU_GEN.1
1558	Application Note 10:	Please note that FAU_STG.2 applies to all audit logs, the
1559		system log, the calibration log, and the consumer log.

64 [refinement: *audit trail*]

65 [selection, choose one of: *prevent, detect*]

66 [refinement: *audit trail*]

67 [assignment: *metric for saving audit records*]

68 [selection: *audit storage exhaustion, failure, attack*]

1560	6.3 Class FCO: Communication	
1561	6.3.1 Non-repudiation of origin (FCO_NRO)	
1562	6.3.1.1 FCO_NRO.2: Enforced proof of origin	
1563	FCO_NRO.2.1	The TSF shall enforce the generation of evidence of origin
1564		for transmitted <i>Meter Data</i> ⁶⁹ at all times.
1565	FCO_NRO.2.2	The TSF shall be able to relate the <i>key material used for</i>
1566		<i>signature</i> ^{70, 71} of the originator of the information, and the
1567		<i>signature</i> ⁷² of the information to which the evidence
1568		applies.
1569	FCO_NRO.2.3	The TSF shall provide a capability to verify the evidence of
1570		origin of information to <u>recipient, Consumer</u> ⁷³ given
1571		<i>limitations of the digital signature according to TR-03109-</i>
1572		<i>1</i> ⁷⁴ .
1573	Hierarchical to:	FCO_NRO.1 Selective proof of origin
1574	Dependencies:	FIA_UID.1 Timing of identification
1575	Application Note 11:	FCO_NRO.2 requires that the TOE calculates a signature
1576		over Meter Data that is submitted to external entities.
1577		Therefore, the TOE has to create a hash value over the
1578		Data To Be Signed (DTBS) as defined in
1579		FCS_COP.1/HASH. The creation of the actual signature
1580		however is performed by the Security Module.

69 [assignment: *list of information types*]

70 [assignment: *list of attributes*]

71 The key material here also represents the identity of the Gateway.

72 [assignment: *list of information fields*]

73 [selection: *originator, recipient, [assignment: list of third parties]*]

74 [assignment: *limitations on the evidence of origin*]

1581 6.4 Class FCS: Cryptographic Support

1582 6.4.1 Cryptographic support for TLS

1583 6.4.1.1 Cryptographic key management (FCS_CKM)

1584 6.4.1.1.1 **FCS_CKM.1/TLS: Cryptographic key generation for TLS**

1585 FCS_CKM.1.1/TLS The TSF shall generate cryptographic keys in accordance
 1586 with a specified cryptographic key generation algorithm
 1587 *TLS-PRF with SHA-256 or SHA-384*⁷⁵ and specified
 1588 cryptographic key sizes *128 bit, 256 bit or 384 bit*⁷⁶ that
 1589 meet the following: *[RFC 5246] in combination with*
 1590 *[FIPS Pub. 180-4] and [RFC 2104]*⁷⁷.

1591 Hierarchical to: No other components.

1592 Dependencies: [FCS_CKM.2 Cryptographic key distribution, or
 1593 FCS_COP.1 Cryptographic operation], fulfilled by
 1594 FCS_COP .1/TLS

1595 FCS_CKM.4 Cryptographic key destruction

1596 **Application Note 12:** The Security Module is used for the generation of random
 1597 numbers and for all cryptographic operations with the pri-
 1598 vate key of a TLS certificate.

1599 **Application Note 13:** The TOE uses only cryptographic specifications and
 1600 algorithms as described in [TR-03109-3].

1601 6.4.1.2 Cryptographic operation (FCS_COP)

1602 6.4.1.2.1 **FCS_COP.1/TLS: Cryptographic operation for TLS**

1603 FCS_COP.1.1/TLS The TSF shall perform *TLS encryption, decryption, and*
 1604 *integrity protection*⁷⁸ in accordance with a specified
 1605 cryptographic algorithm *TLS cipher suites*

75 [assignment: *key generation algorithm*]

76 [assignment: *cryptographic key sizes*]

77 [assignment: *list of standards*]

78 [assignment: *list of cryptographic operations*]

1606 TLS_ECDHE_ECDSA_WITH_AES_128_CBC_SHA256,
 1607 TLS_ECDHE_ECDSA_WITH_AES_256_CBC_SHA384,
 1608 TLS_ECDHE_ECDSA_WITH_AES_128_GCM_SHA256,
 1609 and
 1610 TLS_ECDHE_ECDSA_WITH_AES_256_GCM_SHA384
 1611 ⁷⁹ using elliptic curves BrainpoolP256r1, BrainpoolP384r1,
 1612 BrainpoolP512r1 (according to [RFC 5639]), NIST P-256,
 1613 and NIST P-384 (according to [RFC 5114]) and
 1614 cryptographic key sizes 128 bit or 256 bit ⁸⁰ that meet the
 1615 following: [RFC 2104], [RFC 5114], [RFC 5246],
 1616 [RFC 5289], [RFC 5639], [NIST 800-38A], and [NIST 800-
 1617 38D]⁸¹.

1618 Hierarchical to: No other components.
 1619 Dependencies: [FDP_ITC.1 Import of user data without security attributes,
 1620 or
 1621 FDP_ITC.2 Import of user data with security attributes, or
 1622 FCS_CKM.1 Cryptographic key generation], fulfilled by
 1623 FCS_CKM.1/TLS
 1624 FCS_CKM.4 Cryptographic key destruction

1625 **Application Note 14:** The TOE uses only cryptographic specifications and
 1626 algorithms as described in [TR-03109-3].

1627 **6.4.2 Cryptographic support for CMS**

1628 6.4.2.1 Cryptographic key management (FCS_CKM)

1629 **6.4.2.1.1 FCS_CKM.1/CMS: Cryptographic key generation for CMS**

1630 FCS_CKM.1.1/CMS The TSF shall generate cryptographic keys in accordance
 1631 with a specified cryptographic key generation algorithm
 1632 ECKA-EG⁸² and specified cryptographic key sizes 128

79 [assignment: *cryptographic algorithm*]
 80 [assignment: *cryptographic key sizes*]
 81 [assignment: *list of standards*]
 82 [assignment: *cryptographic key generation algorithm*]

1633		<i>bit</i> ⁸³ that meet the following: [X9.63] in combination with
1634		[RFC 3565] ⁸⁴ .
1635	Hierarchical to:	No other components.
1636	Dependencies:	[FCS_CKM.2 Cryptographic key distribution, or
1637		FCS_COP.1 Cryptographic operation], fulfilled by
1638		FCS_COP.1/CMS
1639		FCS_CKM.4 Cryptographic key destruction
1640	Application Note 15:	The TOE utilises the services of its Security Module for the
1641		generation of random numbers and for all cryptographic
1642		operations with the private asymmetric key of a CMS cer-
1643		tificate.
1644	Application Note 16:	The TOE uses only cryptographic specifications and
1645		algorithms as described in [TR-03109-3].
1646		6.4.2.2 Cryptographic operation (FCS_COP)
1647		6.4.2.2.1 FCS_COP.1/CMS: Cryptographic operation for CMS
1648	FCS_COP.1.1/CMS	The TSF shall perform
1649		<i>symmetric encryption, decryption and integrity protection</i>
1650		in accordance with a specified cryptographic algorithm
1651		<i>AES-CBC-CMAC or AES-GCM</i> ⁸⁵ and cryptographic key
1652		sizes <i>128 bit</i> ⁸⁶ that meet the following: [FIPS Pub. 197],

83 [assignment: *cryptographic key sizes*]

84 [assignment: *list of standards*]

85 [assignment: *list of cryptographic operations*]

86 [assignment: *cryptographic key sizes*]

1653		<i>[NIST 800-38D], [RFC 4493], [RFC 5084], and [RFC 5652]</i>
1654		<i>in combination with [NIST 800-38A]⁸⁷.</i>
1655	Hierarchical to:	No other components.
1656	Dependencies:	[FDP_ITC.1 Import of user data without security attributes,
1657		or
1658		FDP_ITC.2 Import of user data with security attributes, or
1659		FCS_CKM.1 Cryptographic key generation], fulfilled by
1660		FCS_CKM.1/CMS
1661		FCS_CKM.4 Cryptographic key destruction
1662	Application Note 17:	The TOE uses only cryptographic specifications and
1663		algorithms as described in [TR-03109-3].
1664	6.4.3 Cryptographic support for Meter communication encryption	
1665	6.4.3.1 Cryptographic key management (FCS_CKM)	
1666	6.4.3.1.1 FCS_CKM.1/MTR: Cryptographic key generation for Meter	
1667	communication (symmetric encryption)	
1668	FCS_CKM.1.1/MTR	The TSF shall generate cryptographic keys in accordance
1669		with a specified cryptographic key generation algorithm
1670		<i>AES-CMAC⁸⁸ and specified cryptographic key sizes 128</i>
1671		<i>bit⁸⁹ that meet the following: [FIPS Pub. 197], and</i>
1672		<i>[RFC 4493]⁹⁰.</i>
1673	Hierarchical to:	No other components.
1674	Dependencies:	[FCS_CKM.2 Cryptographic key distribution, or
1675		FCS_COP.1 Cryptographic operation], fulfilled by
1676		FCS_COP.1/MTR
1677		FCS_CKM.4 Cryptographic key destruction

87 [assignment: *list of standards*]

88 [assignment: *cryptographic key generation algorithm*]

89 [assignment: *cryptographic key sizes*]

90 [assignment: *list of standards*]

1678	Application Note 18:	The TOE uses only cryptographic specifications and
1679		algorithms as described in [TR-03109-3].
1680		6.4.3.2 Cryptographic operation (FCS_COP)
1681	6.4.3.2.1 FCS_COP.1/MTR: Cryptographic operation for Meter	
1682	communication encryption	
1683	FCS_COP.1.1/MTR	The TSF shall perform symmetric encryption, decryption,
1684		integrity protection ⁹¹ in accordance with a specified
1685		cryptographic algorithm AES-CBC-CMAC ⁹² and
1686		cryptographic key sizes 128 bit ⁹³ that meet the following:
1687		[FIPS Pub. 197] and [RFC 4493] in combination with
1688		[ISO 10116] ⁹⁴ .
1689	Hierarchical to:	No other components.
1690	Dependencies:	[FDP_ITC.1 Import of user data without security attributes,
1691		or
1692		FDP_ITC.2 Import of user data with security attributes, or
1693		FCS_CKM.1 Cryptographic key generation], fulfilled by
1694		FCS_CKM.1/MTR
1695		FCS_CKM.4 Cryptographic key destruction
1696	Application Note 19:	The ST allows different scenarios of key generation for
1697		Meter communication encryption. Those are:
1698		1. If a TLS encryption is being used, the key
1699		generation/negotiation is as defined by
1700		FCS_CKM.1/TLS.
1701		2. If AES encryption is being used, the key has been
1702		brought into the Gateway via a management
1703		function during the pairing process for the Meter

91 [assignment: *list of cryptographic operations*]

92 [assignment: *cryptographic algorithm*]

93 [assignment: *cryptographic key sizes*]

94 [assignment: *list of standards*]

1704 (see FMT_SMF.1) as defined by
1705 FCS_COP.1/MTR.

1706 **Application Note 20:** If the connection between the Meter and TOE is
1707 unidirectional, the communication between the Meter and
1708 the TOE is secured by the use of a symmetric AES
1709 encryption. If a bidirectional connection between the Meter
1710 and the TOE is established, the communication is secured
1711 by a TLS channel as described in chapter 6.4.1. As the
1712 TOE shall be interoperable with all kind of Meters, both
1713 kinds of encryption are implemented.

1714 **Application Note 21:** The TOE uses only cryptographic specifications and
1715 algorithms as described in [TR-03109-3].

1716 6.4.4 General Cryptographic support

1717 6.4.4.1 Cryptographic key management (FCS_CKM)

1718 6.4.4.1.1 FCS_CKM.4: Cryptographic key destruction

1719 FCS_CKM.4.1 The TSF shall destroy cryptographic keys in accordance
1720 with a specified cryptographic key destruction method
1721 *Zeroisation*⁹⁵ that meets the following: *none*⁹⁶.

1722 Hierarchical to: No other components.

1723 Dependencies: [FDP_ITC.1 Import of user data without security attributes,
1724 or

1725 FDP_ITC.2 Import of user data with security attributes, or

1726 FCS_CKM.1 Cryptographic key generation], fulfilled by
1727 FCS_CKM.1/TLS and

1728 FCS_CKM.1/CMS and FCS_CKM.1/MTR

1729 **Application Note 22:** Please note that as against the requirement FDP_RIP.2,
1730 the mechanisms implementing the requirement from
1731 FCS_CKM.4 shall be suitable to avoid attackers with

95 [assignment: *cryptographic key destruction method*]

96 [assignment: *list of standards*]

1732		physical access to the TOE from accessing the keys after
1733		they are no longer used.
1734		6.4.4.2 Cryptographic operation (FCS_COP)
1735		6.4.4.2.1 FCS_COP.1/HASH: Cryptographic operation, hashing for
1736		signatures
1737	FCS_COP.1.1/HASH	The TSF shall perform <i>hashing for signature creation and</i>
1738		<i>verification</i> ⁹⁷ in accordance with a specified cryptographic
1739		algorithm <i>SHA-256, SHA-384 and SHA-512</i> ⁹⁸ and
1740		cryptographic key sizes <i>none</i> ⁹⁹ that meet the following:
1741		<i>[FIPS Pub. 180-4]</i> ¹⁰⁰ .
1742	Hierarchical to:	No other components.
1743	Dependencies:	[FDP_ITC.1 Import of user data without security attributes,
1744		or
1745		FDP_ITC.2 Import of user data with security attributes, or
1746		FCS_CKM.1 Cryptographic key generation ¹⁰¹]
1747		FCS_CKM.4 Cryptographic key destruction
1748	Application Note 23:	The TOE is only responsible for hashing of data in the
1749		context of digital signatures. The actual signature
1750		operation and the handling (i.e. protection) of the
1751		cryptographic keys in this context is performed by the
1752		Security Module.
1753	Application Note 24:	The TOE uses only cryptographic specifications and
1754		algorithms as described in [TR-03109-3].

97 [assignment: *list of cryptographic operations*]

98 [assignment: *cryptographic algorithm*]

99 [assignment: *cryptographic key sizes*]

100 [assignment: *list of standards*]

101 The justification for the missing dependency FCS_CKM.1 can be found in chapter 6.12.1.3.

1755 **6.4.4.2.2 FCS_COP.1/MEM: Cryptographic operation, encryption of**
 1756 **TSF and user data**

1757 FCS_COP.1.1/MEM The TSF shall perform *TSF and user data encryption and*
 1758 *decryption* ¹⁰² in accordance with a specified cryptographic
 1759 algorithm *AES-XTS* ¹⁰³ and cryptographic key sizes *128*
 1760 *bit* ¹⁰⁴ that meet the following: [*FIPS Pub. 197*] and
 1761 [*NIST 800-38E*] ¹⁰⁵.

1762 Hierarchical to: No other components.

1763 Dependencies: [FDP_ITC.1 Import of user data without security attributes,
 1764 or

1765 FDP_ITC.2 Import of user data with security attributes, or

1766 FCS_CKM.1 Cryptographic key generation], not fulfilled s.
 1767 Application Note 25

1768 FCS_CKM.4 Cryptographic key destruction

1769 **Application Note 25:** Please note that for the key generation process an external
 1770 security module is used during TOE production.

1771 **Application Note 26:** The TOE encrypts its local TSF and user data while it is
 1772 not in use (i.e. while stored in a persistent memory).

1773 It shall be noted that this kind of encryption cannot provide
 1774 an absolute protection against physical manipulation and
 1775 does not aim to. It however contributes to the security
 1776 concept that considers the protection that is provided by
 1777 the environment.

102 [assignment: *list of cryptographic operations*]

103 [assignment: *cryptographic algorithm*]

104 [assignment: *cryptographic key sizes*]

105 [assignment: *list of standards*]

1778 6.5 Class FDP: User Data Protection

1779 6.5.1 Introduction to the Security Functional Policies

1780 The security functional requirements that are used in the following chapters implicitly
 1781 define a set of Security Functional Policies (SFP). These policies are introduced in the
 1782 following paragraphs in more detail to facilitate the understanding of the SFRs:

- 1783 • The **Gateway access SFP** is an access control policy to control the access to
 1784 objects under the control of the TOE. The details of this access control policy
 1785 highly depend on the concrete application of the TOE. The access control policy
 1786 is described in more detail in [TR-03109-1].
- 1787 • The **Firewall SFP** implements an information flow policy to fulfil the objective
 1788 O.Firewall. All requirements around the communication control that the TOE
 1789 poses on communications between the different networks are defined in this
 1790 policy.
- 1791 • The **Meter SFP** implements an information flow policy to fulfil the objective
 1792 O.Meter. It defines all requirements concerning how the TOE shall handle Meter
 1793 Data.

1794 6.5.2 Gateway Access SFP

1795 6.5.2.1 Access control policy (FDP_ACC)

1796 6.5.2.1.1 FDP_ACC.2: Complete access control

1797 FDP_ACC.2.1 The TSF shall enforce the *Gateway access SFP*¹⁰⁶ on
 1798 *subjects: external entities in WAN, HAN and LMN*
 1799 *objects: any information that is sent to, from or via*
 1800 *the TOE and any information that is stored in the*
 1801 *TOE*¹⁰⁷ and all operations among subjects and
 1802 objects covered by the SFP.

1803 FDP_ACC.2.2 The TSF shall ensure that all operations between any
 1804 subject controlled by the TSF and any object controlled by
 1805 the TSF are covered by an access control SFP.

106 [assignment: *access control SFP*]

107 [assignment: *list of subjects and objects*]

1806	Hierarchical to:	FDP_ACC.1 Subset access control
1807	Dependencies:	FDP_ACF.1 Security attribute based access control
1808	6.5.2.1.2 FDP_ACF.1: Security attribute based access control	
1809	FDP_ACF.1.1	The TSF shall enforce the <i>Gateway access SFP</i> ¹⁰⁸ to
1810		objects based on the following:
1811		<i>subjects: external entities on the WAN, HAN or</i>
1812		<i>LMN side</i>
1813		<i>objects: any information that is sent to, from or via</i>
1814		<i>the TOE</i>
1815		<i>attributes: destination interface</i> ¹⁰⁹ .
1816	FDP_ACF.1.2	The TSF shall enforce the following rules to determine if
1817		an operation among controlled subjects and controlled
1818		objects is allowed:
1819		• <i>an authorised Consumer is only allowed to have</i>
1820		<i>read access to his own User Data via the interface</i>
1821		<i>IF_GW_CON,</i>
1822		• <i>an authorised Service Technician is only allowed to</i>
1823		<i>have read access to the system log via the interface</i>
1824		<i>IF_GW_SRV, the Service Technician must not be</i>
1825		<i>allowed to read, modify or delete any other TSF</i>
1826		<i>data,</i>
1827		• <i>an authorised Gateway Administrator is allowed to</i>
1828		<i>interact with the TOE only via IF_GW_WAN,</i>
1829		• <i>only authorised Gateway Administrators are</i>
1830		<i>allowed to establish a wake-up call,</i>
1831		• <i>additional rules governing access among controlled</i>
1832		<i>subjects and controlled objects using controlled</i>

¹⁰⁸ [assignment: *access control SFP*]

¹⁰⁹ [assignment: *list of subjects and objects controlled under the indicated SFP, and for each, the SFP-relevant security attributes, or named groups of SFP-relevant security attributes*]

1833		<i>operations on controlled objects or none:</i>
1834		<i>none</i> ^{110, 111}
1835	FDP_ACF.1.3	The TSF shall explicitly authorise access of subjects to
1836		objects based on the following additional rules: <i>none</i> ¹¹² .
1837	FDP_ACF.1.4	The TSF shall explicitly deny access of subjects to objects
1838		based on the following additional rules:
1839		<ul style="list-style-type: none"> • <i>the Gateway Administrator is not allowed to read</i>
1840		<i>consumption data or the Consumer Log,</i>
1841		<ul style="list-style-type: none"> • <i>nobody must be allowed to read the symmetric</i>
1842		<i>keys used for encryption</i> ¹¹³ .
1843	Hierarchical to:	No other components
1844	Dependencies:	FDP_ACC.1 Subset access control
1845		FMT_MSA.3 Static attribute initialisation
1846	6.5.3 Firewall SFP	
1847	6.5.3.1 Information flow control policy (FDP_IFC)	
1848	6.5.3.1.1 FDP_IFC.2/FW: Complete information flow control for	
1849	firewall	
1850	FDP_IFC.2.1/FW	The TSF shall enforce the <i>Firewall SFP</i> ¹¹⁴ on <i>the TOE,</i>
1851		<i>external entities on the WAN side, external entities on the</i>
1852		<i>LAN side and all information flowing between them</i> ¹¹⁵ and
1853		all operations that cause that information to flow to and
1854		from subjects covered by the SFP.

¹¹⁰ [assignment: *additional rules governing access among controlled subjects and controlled objects using controlled operations on controlled objects or none*]

¹¹¹ [assignment: *rules governing access among controlled subjects and controlled objects using controlled operations on controlled objects*]

¹¹² [assignment: *rules, based on security attributes, that explicitly authorise access of subjects to objects*]

¹¹³ [assignment: *rules, based on security attributes, that explicitly deny access of subjects to objects*]

¹¹⁴ [assignment: *information flow control SFP*]

¹¹⁵ [assignment: *list of subjects and information*]

1855 FDP_IFC.2.2/FW The TSF shall ensure that all operations that cause any
 1856 information in the TOE to flow to and from any subject in
 1857 the TOE are covered by an information flow control SFP.

1858 Hierarchical to: FDP_IFC.1 Subset information flow control

1859 Dependencies: FDP_IFF.1 Simple security attributes

1860 6.5.3.2 Information flow control functions (FDP_IFF)

1861 **6.5.3.2.1 FDP_IFF.1/FW: Simple security attributes for Firewall**

1862 FDP_IFF.1.1/FW The TSF shall enforce the *Firewall SFP*¹¹⁶ based on the
 1863 following types of subject and information security
 1864 attributes:

1865 *subjects: The TOE and external entities on the*
 1866 *WAN, HAN or LMN side*

1867 *information: any information that is sent to, from or*
 1868 *via the TOE*

1869 *attributes: destination_interface (TOE, LMN, HAN*
 1870 *or WAN), source_interface (TOE, LMN, HAN or*
 1871 *WAN), destination_authenticated,*
 1872 *source_authenticated*¹¹⁷.

1873 FDP_IFF.1.2/FW The TSF shall permit an information flow between a
 1874 controlled subject and controlled information via a
 1875 controlled operation if the following rules hold:

1876 *(if source_interface=HAN or*
 1877 *source_interface=TOE) and*

1878 *destination_interface=WAN and*

1879 *destination_authenticated = true*

1880 *Connection establishment is allowed*

1881

116 [assignment: *information flow control SFP*]

117 [assignment: *list of subjects and information controlled under the indicated SFP, and for each, the security attributes*]

1882 *if source_interface=LMN and*
1883 *destination_interface= TOE and*
1884 *source_authenticated = true*
1885 *Connection establishment is allowed*
1886
1887 *if source_interface=TOE and*
1888 *destination_interface= LMN and*
1889 *destination_authenticated = true*
1890 *Connection establishment is allowed*
1891
1892 *if source_interface=HAN and*
1893 *destination_interface= TOE and*
1894 *source_authenticated = true*
1895 *Connection establishment is allowed*
1896
1897 *if source_interface=TOE and*
1898 *destination_interface= HAN and*
1899 *destination_authenticated = true*
1900 *Connection establishment is allowed*
1901 *else*
1902 *Connection establishment is denied*¹¹⁸.
1903 FDP_IFF.1.3/FW The TSF shall enforce the *establishment of a connection*
1904 *to a configured external entity in the WAN after having*
1905 *received a wake-up message on the WAN interface*¹¹⁹.

118 [assignment: *for each operation, the security attribute-based relationship that must hold between subject and information security attributes*]

119 [assignment: *additional information flow control SFP rules*]

1906	FDP_IFF.1.4/FW	The TSF shall explicitly authorise an information flow
1907		based on the following rules: <i>none</i> ¹²⁰ .
1908	FDP_IFF.1.5/FW	The TSF shall explicitly deny an information flow based on
1909		the following rules: <i>none</i> ¹²¹ .
1910	Hierarchical to:	No other components
1911	Dependencies:	FDP_IFC.1 Subset information flow control
1912		FMT_MSA.3 Static attribute initialisation
1913	Application Note 27:	It should be noted that the FDP_IFF.1.1/FW facilitates
1914		different interfaces of the origin and the destination of an
1915		information flow implicitly requires the TOE to implement
1916		physically separate ports for WAN, LMN and HAN.
1917	6.5.4 Meter SFP	
1918	6.5.4.1 Information flow control policy (FDP_IFC)	
1919	6.5.4.1.1 FDP_IFC.2/MTR: Complete information flow control for	
1920	Meter information flow	
1921	FDP_IFC.2.1/MTR	The TSF shall enforce the <i>Meter SFP</i> ¹²² on <i>the TOE,</i>
1922		<i>attached Meters, authorized External Entities in the WAN</i>
1923		<i>and all information flowing between them</i> ¹²³ and all
1924		operations that cause that information to flow to and from
1925		subjects covered by the SFP.
1926	FDP_IFC.2.2/MTR	The TSF shall ensure that all operations that cause any
1927		information in the TOE to flow to and from any subject in
1928		the TOE are covered by an information flow control SFP.
1929	Hierarchical to:	FDP_IFC.1 Subset information flow control
1930	Dependencies:	FDP_IFF.1 Simple security attributes

¹²⁰ [assignment: *rules, based on security attributes, that explicitly authorise information flows*]

¹²¹ [assignment: *rules, based on security attributes, that explicitly deny information flows*]

¹²² [assignment: *information flow control SFP*]

¹²³ [assignment: *list of subjects and information*]

1931	6.5.4.2 Information flow control functions (FDP_IFF)	
1932	6.5.4.2.1 FDP_IFF.1/MTR: Simple security attributes for Meter	
1933	information	
1934	FDP_IFF.1.1/MTR	The TSF shall enforce the <i>Meter SFP</i> ¹²⁴ based on the
1935		following types of subject and information security
1936		attributes:
1937		<ul style="list-style-type: none"> • <i>subjects: TOE, external entities in WAN, Meters located in LMN</i>
1938		
1939		<ul style="list-style-type: none"> • <i>information: any information that is sent via the TOE</i>
1940		
1941		<ul style="list-style-type: none"> • <i>attributes: destination interface, source interface (LMN or WAN), Processing Profile</i>¹²⁵.
1942		
1943	FDP_IFF.1.2/MTR	The TSF shall permit an information flow between a
1944		controlled subject and controlled information via a
1945		controlled operation if the following rules hold:
1946		<ul style="list-style-type: none"> • <i>an information flow shall only be initiated if allowed by a corresponding Processing Profile</i>¹²⁶.
1947		
1948	FDP_IFF.1.3/MTR	The TSF shall enforce the following rules:
1949		<ul style="list-style-type: none"> • Data received from Meters shall be processed as defined in the corresponding Processing Profiles,
1950		
1951		<ul style="list-style-type: none"> • Results of processing of Meter Data shall be submitted to external entities as defined in the Processing Profiles,
1952		
1953		
1954		<ul style="list-style-type: none"> • The internal system time shall be synchronised as follows:
1955		

124 [assignment: *information flow control SFP*]

125 [assignment: *list of subjects and information controlled under the indicated SFP, and for each, the security attributes*]

126 [assignment: *for each operation, the security attribute-based relationship that must hold between subject and information security attributes*]

1956			○ <i>The TOE shall compare the system time to a</i>
1957			<i>reliable external time source every 24</i>
1958			<i>hours</i> ¹²⁷ .
1959			○ <i>If the deviation between the local time and the</i>
1960			<i>remote time is acceptable</i> ¹²⁸ , <i>the local system</i>
1961			<i>time shall be updated according to the remote</i>
1962			<i>time.</i>
1963			○ <i>If the deviation is not acceptable the TOE</i>
1964			<i>shall ensure that any following Meter Data is</i>
1965			<i>not used, stop operation</i> ¹²⁹ <i>and</i>
1966			<i>inform a Gateway Administrator</i> ¹³⁰ .
1967	FDP_IFF.1.4/MTR		The TSF shall explicitly authorise an information flow
1968			based on the following rules: <i>none</i> ¹³¹ .
1969	FDP_IFF.1.5/MTR		The TSF shall explicitly deny an information flow based on
1970			the following rules: <i>The TOE shall deny any acceptance of</i>
1971			<i>information by external entities in the LMN unless the</i>
1972			<i>authenticity, integrity and confidentiality of the Meter Data</i>
1973			<i>could be verified</i> ¹³² .
1974	Hierarchical to:		No other components
1975	Dependencies:		FDP_IFC.1 Subset information flow control
1976			FMT_MSA.3 Static attribute initialisation
1977	Application Note 28:		FDP_IFF.1.3 defines that the TOE shall update the local
1978			system time regularly with reliable external time sources if
1979			the deviation is acceptable. In the context of this
1980			functionality two aspects should be mentioned:

¹²⁷ [assignment: *synchronization interval between 1 minute and 24 hours*]

¹²⁸ Please refer to the following application note for a detailed definition of “acceptable”.

¹²⁹ Please note that this refers to the complete functional operation of the TOE and not only to the update of local time. However, an administrative access shall still be possible.

¹³⁰ [assignment: *additional information flow control SFP rules*]

¹³¹ [assignment: *rules, based on security attributes, that explicitly authorise information flows*]

¹³² [assignment: *rules, based on security attributes, that explicitly deny information flows*]

1981		Reliability of external source
1982		<p>There are several ways to achieve the reliability of the external source. On the one hand, there may be a source in the WAN that has an acceptable reliability on its own (e.g. because it is operated by a very trustworthy organisation (an official legal time issued by the calibration authority would be a good example for such a source¹³³)).</p> <p>On the other hand a developer may choose to maintain multiple external sources that all have a certain level of reliability but no absolute reliability. When using such sources the TOE shall contact more than one source and harmonize the results in order to ensure that no attack happened.</p>
1983		
1984		
1985		
1986		
1987		
1988		
1989		
1990		
1991		
1992		
1993		
1994		Acceptable deviation
1995		<p>For the question whether a deviation between the time source(s) in the WAN and the local system time is still acceptable, normative or legislative regulations shall be considered. If no regulation exists, a maximum deviation of 3% of the measuring period is allowed to be in conformance with [PP_GW]. It should be noted that depending on the kind of application a more accurate system time is needed. For doing so, the intervall for the comparison of the system time to a reliable external time source is configurable. But this aspect is not within the scope of this Security Target.</p>
1996		
1997		
1998		
1999		
2000		
2001		
2002		
2003		
2004		
2005		
2006		<p>Please further note that – depending on the exactness of the local clock – it may be required to synchronize the time more often than every 24 hours.</p>
2007		
2008		
2009	Application Note 29:	<p>In FDP_IFF.1.5/MTR the TOE is required to verify the authenticity, integrity and confidentiality of the Meter Data</p>
2010		

¹³³ By the time that this ST is developed however, this time source is not yet available.

2011 received from the Meter. The TOE has two options to do
 2012 so:

- 2013 1. To implement a channel between the Meter and the
- 2014 TOE using the functionality as described in
- 2015 FCS_COP.1/TLS.
- 2016 2. To accept, decrypt and verify data that has been
- 2017 encrypted by the Meter as required in
- 2018 FCS_COP.1/MTR if a wireless connection to the
- 2019 meters is established.

2020 The latter possibility can be used only if a wireless
 2021 connection between the Meter and the TOE is established.

2022 **6.5.5 General Requirements on user data protection**

2023 6.5.5.1 Residual information protection (FDP_RIP)

2024 **6.5.5.1.1 FDP_RIP.2: Full residual information protection**

2025 FDP_RIP.2.1 The TSF shall ensure that any previous information
 2026 content of a resource is made unavailable upon the
 2027 deallocation of the resource from ¹³⁴ all objects.

2028 Hierarchical to: FDP_RIP.1 Subset residual information protection

2029 Dependencies: No dependencies.

2030 **Application Note 30:** Please refer to chapter F.9 of part 2 of [CC] for more
 2031 detailed information about what kind of information this
 2032 requirement applies to.

2033 Please further note that this SFR has been used in order
 2034 to ensure that information that is no longer used is made
 2035 unavailable from a logical perspective. Specifically, it has
 2036 to be ensured that this information is no longer available
 2037 via an external interface (even if an access control or
 2038 information flow policy would fail). However, this does not
 2039 necessarily mean that the information is overwritten in a

134 [selection: *allocation of the resource to, deallocation of the resource from*]

2040 way that makes it impossible for an attacker to get access
 2041 to is assuming a physical access to the memory of the
 2042 TOE.

2043 6.5.5.2 Stored data integrity (FDP_SDI)

2044 **6.5.5.2.1 FDP_SDI.2: Stored data integrity monitoring and action**

2045 FDP_SDI.2.1 The TSF shall monitor user data stored in containers
 2046 controlled by the TSF for *integrity errors*¹³⁵ on all objects,
 2047 based on the following attributes: *cryptographical check*
 2048 *sum*¹³⁶.

2049 FDP_SDI.2.2 Upon detection of a data integrity error, the TSF shall
 2050 *create a system log entry*¹³⁷.

2051 Hierarchical to: FDP_SDI.1 Stored data integrity monitoring

2052 Dependencies: No dependencies.

2053 **6.6 Class FIA: Identification and Authentication**

2054 **6.6.1 User Attribute Definition (FIA_ATD)**

2055 6.6.1.1 FIA_ATD.1: User attribute definition

2056 FIA_ATD.1.1 The TSF shall maintain the following list of security
 2057 attributes belonging to individual users:

- 2058 • *User Identity*
- 2059 • *Status of Identity (Authenticated or not)*
- 2060 • *Connecting network (WAN, HAN or LMN)*
- 2061 • *Role membership*
- 2062 • *none*¹³⁸.

2063 Hierarchical to: No other components.

2064 Dependencies: No dependencies.

135 [assignment: *integrity errors*]

136 [assignment: *user data attributes*]

137 [assignment: *action to be taken*]

138 [assignment: *list of security attributes*]

2065	6.6.2 Authentication Failures (FIA_AFL)	
2066	6.6.2.1 FIA_AFL.1: Authentication failure handling	
2067	FIA_AFL.1.1	The TSF shall detect when <u>5</u> ¹³⁹ unsuccessful authentication attempts occur related to <i>authentication attempts at IF_GW_CON</i> ¹⁴⁰ .
2068		
2069		
2070	FIA_AFL.1.2	When the defined number of unsuccessful authentication attempts has been <u>met</u> ¹⁴¹ , the TSF shall <i>block IF_GW_CON for 5 minutes</i> ¹⁴² .
2071		
2072		
2073	Hierarchical to:	No other components
2074	Dependencies:	FIA_UAU.1 Timing of authentication
2075	6.6.3 User Authentication (FIA_UAU)	
2076	6.6.3.1 FIA_UAU.2: User authentication before any action	
2077	FIA_UAU.2.1	The TSF shall require each user to be successfully authenticated before allowing any other TSF-mediated actions on behalf of that user.
2078		
2079		
2080	Hierarchical to:	FIA_UAU.1
2081	Dependencies:	FIA_UID.1 Timing of identification
2082	Application Note 31:	Please refer to [TR-03109-1] for a more detailed overview on the authentication of TOE users.
2083		
2084	6.6.3.2 FIA_UAU.5: Multiple authentication mechanisms	
2085	FIA_UAU.5.1	The TSF shall provide
2086		<ul style="list-style-type: none"> • <i>authentication via certificates at the IF_GW_MTR interface</i>
2087		
2088		<ul style="list-style-type: none"> • <i>TLS-authentication via certificates at the IF_GW_WAN interface</i>
2089		

139 [selection: [assignment: positive integer number], an administrator configurable positive integer within [assignment: range of acceptable values]]

140 [assignment: list of authentication events]

141 [selection: met, surpassed]

142 [assignment: list of actions]

- 2090
- 2091
- 2092
- 2093
- 2094
- 2095
- 2096
- 2097
- 2098
- 2099
- 2100
- 2101
- 2102
- 2103
- 2104
- 2105
- 2106
- 2107
- 2108
- 2109
- 2110
- 2111
- 2112
- 2113
- 2114
- 2115
- 2116
- *TLS-authentication via HAN-certificates at the IF_GW_CON interface*
 - *authentication via password at the IF_GW_CON interface*
 - *TLS-authentication via HAN-certificates at the IF_GW_SRV interface*
 - *authentication at the IF_GW_CLS interface*
 - *verification via a commands' signature* ¹⁴³
- to support user authentication.
- FIA_UAU.5.2
- The TSF shall authenticate any user's claimed identity according to the
- *meters shall be authenticated via certificates at the IF_GW_MTR interface only*
 - *Gateway Administrators shall be authenticated via TLS-certificates at the IF_GW_WAN interface only*
 - *Consumers shall be authenticated via TLS-certificates or via password at the IF_GW_CON interface only*
 - *Service Technicians shall be authenticated via TLS-certificates at the IF_GW_SRV interface only*
 - *CLS shall be authenticated at the IF_GW_CLS only*
 - *each command of an Gateway Administrator shall be authenticated by verification of the commands' signature,*
 - *other external entities shall be authenticated via TLS-certificates at the IF_GW_WAN interface only* ¹⁴⁴.

143 [assignment: *list of multiple authentication mechanisms*]

144 [assignment: *rules describing how the multiple authentication mechanisms provide authentication*]

2117	Hierarchical to:	No other components.
2118	Dependencies:	No dependencies.
2119	Application Note 32:	Please refer to [TR-03109-1] for a more detailed overview
2120		on the authentication of TOE users.
2121	6.6.3.3 FIA_UAU.6: Re-authenticating	
2122	FIA_UAU.6.1	The TSF shall re-authenticate an external entity ¹⁴⁵ under
2123		the conditions
2124		• <i>TLS channel to the WAN shall be disconnected</i>
2125		<i>after 48 hours,</i>
2126		• <i>TLS channel to the LMN shall be disconnected after</i>
2127		<i>5 MB of transmitted information,</i>
2128		• <i>other local users shall be re-authenticated after at</i>
2129		<i>least 10 minutes</i> ¹⁴⁶ <i>of inactivity</i> ¹⁴⁷ .
2130	Hierarchical to:	No other components.
2131	Dependencies:	No dependencies.
2132	Application Note 33:	This requirement on re-authentication for external entities
2133		in the WAN and LMN is addressed by disconnecting the
2134		TLS channel even though a re-authentication is - strictly
2135		speaking - only achieved if the TLS channel is build up
2136		again.
2137	6.6.4 User identification (FIA_UID)	
2138	6.6.4.1 FIA_UID.2: User identification before any action	
2139	FIA_UID.2.1	The TSF shall require each user to be successfully
2140		identified before allowing any other TSF-mediated actions
2141		on behalf of that user.
2142	Hierarchical to:	FIA_UID.1
2143	Dependencies:	No dependencies.

¹⁴⁵ [refinement: *the user*]

¹⁴⁶ [refinement: *after at least 10 minutes*]. This value is configurable by the authorised Gateway Administrator.

¹⁴⁷ [assignment: *list of conditions under which re-authentication is required*]

2174 *identity is 'authenticated', otherwise it is*
 2175 *'not authenticated'* ¹⁵⁰.

2176 FIA_USB.1.3 The TSF shall enforce the following rules governing
 2177 changes to the user security attributes associated with
 2178 subjects acting on the behalf of users:

- 2179 • *security attribute 'connecting network' is not*
 2180 *changeable.*
- 2181 • *security attribute 'role membership' is not*
 2182 *changeable.*
- 2183 • *security attribute 'user identity' is not changeable.*
- 2184 • *security attribute 'status of identity' is not*
 2185 *changeable*¹⁵¹.

2186 Hierarchical to: No other components.

2187 Dependencies: FIA_ATD.1 User attribute definition

2188 **6.7 Class FMT: Security Management**

2189 **6.7.1 Management of the TSF**

2190 6.7.1.1 Management of functions in TSF (FMT_MOF)

2191 **6.7.1.1.1 FMT_MOF.1: Management of security functions** 2192 ***behaviour***

2193 FMT_MOF.1.1 The TSF shall restrict the ability to modify the behaviour
 2194 of ¹⁵² the functions *for management as defined in*

150 [assignment: *rules for the initial association of attributes*]

151 [assignment: *rules for the changing of attributes*]

152 [selection: *determine the behaviour of, disable, enable, modify the behaviour of*]

- 2195 *FMT_SMF.1* ¹⁵³ to roles and criteria as defined in Table
- 2196 13 ¹⁵⁴.
- 2197 Hierarchical to: No other components.
- 2198 Dependencies: *FMT_SMR.1* Security roles
- 2199 *FMT_SMF.1* Specification of Management Functions

Function	Limitation
Display the version number of the TOE Display the current time	The management functions must only be accessible for an authorised Consumer and only via the interface IF_GW_CON. An authorized Service Technician is also able to access the version number of the TOE and the current time of the TOE via interface IF_GW_SRV ¹⁵⁵ .
All other management functions as defined in <i>FMT_SMF.1</i>	The management functions must only be accessible for an authorised Gateway Administrator and only via the interface IF_GW_WAN ¹⁵⁶ .
Firmware Update	The firmware update must only be possible after the authenticity of the firmware update has been verified (using the services of the Security Module and the trust anchor of the Gateway developer) and if the version number of the new firmware is higher to the version of the installed firmware.
Deletion or modification of events from the Calibration Log	A deletion or modification of events from the calibration log must not be possible.

2200 **Table 13: Restrictions on Management Functions**

¹⁵³ [assignment: *list of functions*]

¹⁵⁴ [assignment: *the authorised identified roles*]

¹⁵⁵ The TOE displays the version number of the TOE and the current time of the TOE also to the authorized service technician via the interface IF_GW_SRV because the service technician must be able to determine if the current time of the TOE is correct or if the version number of the TOE is correct.

¹⁵⁶ This criterion applies to all management functions. The following entries in this table only augment this restriction further.

2201 6.7.1.2 Specification of Management Functions (FMT_SMF)

2202 **6.7.1.2.1 FMT_SMF.1: Specification of Management Functions**

2203 FMT_SMF.1.1 The TSF shall be capable of performing the following
 2204 management functions: *list of management functions as*
 2205 *defined in Table 14 and Table 15 and additional*
 2206 *functionalities: none* ¹⁵⁷.

2207 Hierarchical to: No other components.

2208 Dependencies: No dependencies.

SFR	Management functionality
FAU_ARP.1/SYS	<ul style="list-style-type: none"> The management (addition, removal, or modification) of actions ¹⁵⁸
FAU_GEN.1/SYS FAU_GEN.1/CON FAU_GEN.1/CAL	-
FAU_SAA.1/SYS	<ul style="list-style-type: none"> Maintenance of the rules by (adding, modifying, deletion) of rules from the set of rules ¹⁵⁸
FAU_SAR.1/SYS FAU_SAR.1/CON FAU_SAR.1/CAL	- ¹⁵⁹
FAU_STG.4/SYS FAU_STG.4/CON	<ul style="list-style-type: none"> Maintenance (deletion, modification, addition) of actions to be taken in case of audit storage failure ¹⁵⁸ Size configuration of the audit trail that is available before the oldest events get overwritten ¹⁵⁸

157 [assignment: *list of management functions to be provided by the TSF*]

158 The TOE does not have the indicated management ability since there exist no standard method calls for the Gateway Administrator to enforce such management ability.

159 As the rules for audit review are fixed within [PP_GW], the management functions as defined by [CC, part 2] do not apply.

FAU_STG.4/CAL	- 160
FAU_GEN.2	-
FAU_STG.2	<ul style="list-style-type: none"> Maintenance of the parameters that control the audit storage capability for the consumer log and the system log¹⁵⁸
FCO_NRO.2	<ul style="list-style-type: none"> The management of changes to information types, fields,¹⁵⁸ originator attributes and recipients of evidence
FCS_CKM.1/TLS	-
FCS_COP.1/TLS	<ul style="list-style-type: none"> Management of key material including key material stored in the Security Module
FCS_CKM.1/CMS	-
FCS_COP.1/CMS	<ul style="list-style-type: none"> Management of key material including key material stored in the Security Module
FCS_CKM.1/MTR	-
FCS_COP.1/MTR	<ul style="list-style-type: none"> Management of key material stored in the Security Module and key material brought into the gateway during the pairing process
FCS_CKM.4	-
FCS_COP.1/HASH	-
FCS_COP.1/MEM	<ul style="list-style-type: none"> Management of key material
FDP_ACC.2	-
FDP_ACF.1	-
FDP_IFC.2/FW	-

¹⁶⁰ As the actions that shall be performed if the audit trail is full are fixed within [PP_GW], the management functions as defined by [CC, part 2] do not apply.

FDP_IFF.1/FW	<ul style="list-style-type: none"> • Managing the attributes used to make explicit access based decisions • Add authorised units for communication (pairing) • Management of endpoint to be contacted after successful wake-up call • Management of CLS systems
FDP_IFC.2/MTR	-
FDP_IFF.1/MTR	<ul style="list-style-type: none"> • Managing the attributes (including Processing Profiles) used to make explicit access based decisions
FDP_RIP.2	-
FDP_SDI.2	<ul style="list-style-type: none"> • The actions to be taken upon the detection of an integrity error shall be configurable.¹⁵⁸
FIA_ATD.1	<ul style="list-style-type: none"> • If so indicated in the assignment, the authorised Gateway Administrator might be able to define additional security attributes for users¹⁶¹.
FIA_AFL.1	<ul style="list-style-type: none"> • Management of the threshold for unsuccessful authentication attempts¹⁵⁸ • Management of actions to be taken in the event of an authentication failure¹⁵⁸
FIA_UAU.2	<ul style="list-style-type: none"> • Management of the authentication data by an Gateway Administrator
FIA_UAU.5	- 162
FIA_UAU.6	<ul style="list-style-type: none"> • Management of re-authentication time

¹⁶¹ In the assignment it is not indicated that the authorized Gateway Administrator might be able to define additional security attributes for users.

¹⁶² As the rules for re-authentication are fixed within [PP_GW], the management functions as defined by [CC, part 2] do not apply.

FIA_UID.2	<ul style="list-style-type: none"> The management of the user identities
FIA_USB.1	<ul style="list-style-type: none"> An authorised Gateway Administrator can define default subject security attributes, if so indicated in the assignment of FIA_ATD.1.¹⁵⁸ An authorised Gateway Administrator can change subject security attributes, if so indicated in the assignment of FIA_ATD.1.¹⁵⁸
FMT_MOF.1	<ul style="list-style-type: none"> Managing the group of roles that can interact with the functions in the TSF
FMT_SMF.1	-
FMT_SMR.1	<ul style="list-style-type: none"> Managing the group of users that are part of a role
FMT_MSA.1/AC	<ul style="list-style-type: none"> Management of rules by which security attributes inherit specified values^{163,158}
FMT_MSA.3/AC	- ¹⁶⁴
FMT_MSA.1/FW	<ul style="list-style-type: none"> Management of rules by which security attributes inherit specified values^{165,158}
FMT_MSA.3/FW	- ¹⁶⁶
FMT_MSA.1/MTR	<ul style="list-style-type: none"> Management of rules by which security attributes inherit specified values^{167,158}

¹⁶³ As the role that can interact with the security attributes is restricted to the Gateway Administrator within [PP_GW], not all management functions as defined by [CC, part 2] do apply.

¹⁶⁴ As no role is allowed to specify alternative initial values within [PP_GW], the management functions as defined by [CC, part 2] do not apply.

¹⁶⁵ As the role that can read, modify, delete or add the security attributes is restricted to the Gateway Administrator within [PP_GW], not all management functions as defined by [CC, part 2] do apply.

¹⁶⁶ As no role is allowed to specify alternative initial values within [PP_GW], the management functions as defined by [CC, part 2] do not apply.

¹⁶⁷ As the role that can read, modify, delete or add the security attributes is restricted to the Gateway Administrator within [PP_GW], not all management functions as defined by [CC, part 2] do apply.

FMT_MSA.3/MTR	- 168
FPR_CON.1	<ul style="list-style-type: none"> Definition of the interval in FPR_CON.1.2 if definable within the operational phase of the TOE ¹⁵⁸
FPR_PSE.1	-
FPT_FLS.1	-
FPT_RPL.1	-
FPT_STM.1	<ul style="list-style-type: none"> Management a time source
FPT_TST.1	- 169
FPT_PHP.1	<ul style="list-style-type: none"> Management of the user or role that determines whether physical tampering has occurred ¹⁵⁸
FTP_ITC.1/WAN	- 170
FTP_ITC.1/MTR	- 171
FTP_ITC.1/USR	- 172

2209

Table 14: SFR related Management Functionalities

168 As no role is allowed to specify alternative initial values within [PP_GW], the management functions as defined by [CC, part 2] do not apply.

169 As the rules for TSF testing are fixed within [PP_GW], the management functions as defined by [CC, part 2] do not apply.

170 As the configuration of the actions that require a trusted channel is fixed by [PP_GW], the management functions as defined in [CC, part 2] do not apply.

171 As the configuration of the actions that require a trusted channel is fixed by [PP_GW], the management functions as defined in [CC, part 2] do not apply.

172 As the configuration of the actions that require a trusted channel is fixed by [PP_GW], the management functions as defined in [CC, part 2] do not apply.

2210

Gateway specific Management functionality
Pairing of a Meter
Performing a firmware update
Displaying the current version number of the TOE
Displaying the current time
Management of certificates of external entities in the WAN for communication
Resetting of the TOE ¹⁷³

2211 **Table 15: Gateway specific Management Functionalities**

2212 **6.7.2 Security management roles (FMT_SMR)**

2213 6.7.2.1 FMT_SMR.1: Security roles

2214 FMT_SMR.1.1 The TSF shall maintain the roles *authorised Consumer,*
 2215 *authorised Gateway Administrator, authorised Service*
 2216 *Technician, the authorised identified roles: authorised*
 2217 *external entity, CLS, and Meter* ¹⁷⁴.

2218 FMT_SMR.1.2 The TSF shall be able to associate users with roles.

2219 Hierarchical to: No other components.

2220 Dependencies: No dependencies.

173 Resetting the TOE will be necessary when the TOE stopped operation due to a critical deviation between local and remote time (see FDP_IFF.1.3/MTR) ~~or when the calibration log is full.~~

174 [assignment: *the authorised identified roles*]

2221	6.7.3 Management of security attributes for Gateway access SFP	
2222	6.7.3.1 Management of security attributes (FMT_MSA)	
2223	6.7.3.1.1 FMT_MSA.1/AC: Management of security attributes for	
2224	Gateway access SFP	
2225	FMT_MSA.1.1/AC	The TSF shall enforce the <i>Gateway access SFP</i> ¹⁷⁵ to
2226		restrict the ability to <u>query, modify, delete, other</u>
2227		<u>operations: none</u> ¹⁷⁶ the security attributes <i>all relevant</i>
2228		<i>security attributes</i> ¹⁷⁷ to <i>authorised Gateway</i>
2229		<i>Administrators</i> ¹⁷⁸ .
2230	Hierarchical to:	No other components.
2231	Dependencies:	[FDP_ACC.1 Subset access control, or
2232		FDP_IFC.1 Subset information flow control], fulfilled by
2233		FDP_ACC.2
2234		FMT_SMR.1 Security roles
2235		FMT_SMF.1 Specification of Management Functions
2236	6.7.3.1.2 FMT_MSA.3/AC: Static attribute initialisation for Gateway	
2237	access SFP	
2238	FMT_MSA.3.1/AC	The TSF shall enforce the <i>Gateway access SFP</i> ¹⁷⁹ to
2239		provide <u>restrictive</u> ¹⁸⁰ default values for security attributes
2240		that are used to enforce the SFP.
2241	FMT_MSA.3.2/AC	The TSF shall allow the <i>no role</i> ¹⁸¹ to specify alternative
2242		initial values to override the default values when an object
2243		or information is created.

175 [assignment: *access control SFP(s), information flow control SFP(s)*]

176 [selection: *change_default, query, modify, delete, [assignment: other operations]*]

177 [assignment: *list of security attributes*]

178 [assignment: *the authorised identified roles*]

179 [assignment: *access control SFP, information flow control SFP*]

180 [selection, choose one of: *restrictive, permissive, [assignment: other property]*]

181 [assignment: *the authorised identified roles*]

2244	Hierarchical to:	No other components.
2245	Dependencies:	FMT_MSA.1 Management of security attributes
2246		FMT_SMR.1 Security roles
2247	6.7.4 Management of security attributes for Firewall SFP	
2248	6.7.4.1 Management of security attributes (FMT_MSA)	
2249	6.7.4.1.1 FMT_MSA.1/FW: Management of security attributes for	
2250	firewall policy	
2251	FMT_MSA.1.1/FW	The TSF shall enforce the <i>Firewall SFP</i> ¹⁸² to restrict the
2252		ability to <u>query, modify, delete, other operations: none</u> ¹⁸³
2253		the security attributes <i>all relevant security attributes</i> ¹⁸⁴ to
2254		<i>authorised Gateway Administrators</i> ¹⁸⁵ .
2255	Hierarchical to:	No other components.
2256	Dependencies:	[FDP_ACC.1 Subset access control, or
2257		FDP_IFC.1 Subset information flow control], fulfilled by
2258		FDP_IFC.2/FW
2259		FMT_SMR.1 Security roles
2260		FMT_SMF.1 Specification of Management Functions
2261	6.7.4.1.2 FMT_MSA.3/FW: Static attribute initialisation for Firewall	
2262	policy	
2263	FMT_MSA.3.1/FW	The TSF shall enforce the <i>Firewall SFP</i> ¹⁸⁶ to provide
2264		<u>restrictive</u> ¹⁸⁷ default values for security attributes that are
2265		used to enforce the SFP.

182 [assignment: *access control SFP(s), information flow control SFP(s)*]

183 [selection: *change_default, query, modify, delete, [assignment: other operations]*]

184 [assignment: *list of security attributes*]

185 [assignment: *the authorised identified roles*]

186 [assignment: *access control SFP, information flow control SFP*]

187 [selection, choose one of: *restrictive, permissive, [assignment: other property]*]

2266	FMT_MSA.3.2/FW	The TSF shall allow the <i>no role</i> ¹⁸⁸ to specify alternative
2267		initial values to override the default values when an object
2268		or information is created.
2269	Hierarchical to:	No other components.
2270	Dependencies:	FMT_MSA.1 Management of security attributes
2271		FMT_SMR.1 Security roles
2272	Application Note 34:	The definition of restrictive default rules for the firewall
2273		information flow policy refers to the rules as defined in
2274		FDP_IFF.1.2/FW and FDP_IFF.1.5/FW. Those rules apply
2275		to all information flows and must not be overwritable by
2276		anybody.
2277	6.7.5 Management of security attributes for Meter SFP	
2278	6.7.5.1 Management of security attributes (FMT_MSA)	
2279	6.7.5.1.1 FMT_MSA.1/MTR: Management of security attributes for	
2280	Meter policy	
2281	FMT_MSA.1.1/MTR	The TSF shall enforce the <i>Meter SFP</i> ¹⁸⁹ to restrict the
2282		ability to <u>change default, query, modify, delete, other</u>
2283		<u>operations: none</u> ¹⁹⁰ the security attributes <i>all relevant</i>
2284		<i>security attributes</i> ¹⁹¹ to <i>authorised Gateway</i>
2285		<i>Administrators</i> ¹⁹² .
2286	Hierarchical to:	No other components.
2287	Dependencies:	[FDP_ACC.1 Subset access control, or
2288		FDP_IFC.1 Subset information flow control], fulfilled by
2289		FDP_IFC.2/FW
2290		FMT_SMR.1 Security roles

¹⁸⁸ [assignment: *the authorised identified roles*]

¹⁸⁹ [assignment: *access control SFP(s), information flow control SFP(s)*]

¹⁹⁰ [selection: *change_default, query, modify, delete, [assignment: other operations]*]

¹⁹¹ [assignment: *list of security attributes*]

¹⁹² [assignment: *the authorised identified roles*]

2291		FMT_SMF.1 Specification of Management Functions
2292	6.7.5.1.2	<i>FMT_MSA.3/MTR: Static attribute initialisation for Meter</i>
2293		<i>policy</i>
2294	FMT_MSA.3.1/MTR	The TSF shall enforce the <i>Meter SFP</i> ¹⁹³ to provide
2295		<u>restrictive</u> ¹⁹⁴ default values for security attributes that are
2296		used to enforce the SFP.
2297	FMT_MSA.3.2/MTR	The TSF shall allow the <i>no role</i> ¹⁹⁵ to specify alternative
2298		initial values to override the default values when an object
2299		or information is created.
2300	Hierarchical to:	No other components.
2301	Dependencies:	FMT_MSA.1 Management of security attributes
2302		FMT_SMR.1 Security roles
2303		
2304	6.8	Class FPR: Privacy
2305	6.8.1	Communication Concealing (FPR_CON)
2306	6.8.1.1	FPR_CON.1: Communication Concealing
2307	FPR_CON.1.1	The TSF shall enforce the <i>Firewall SFP</i> ¹⁹⁶ in order to
2308		ensure that no personally identifiable information (PII) can
2309		be obtained by an analysis of <i>frequency, load, size or the</i>
2310		<i>absence of external communication</i> ¹⁹⁷ .
2311	FPR_CON.1.2	The TSF shall connect to <i>the Gateway Administrator,</i>
2312		<i>authorized External Entity in the WAN</i> ¹⁹⁸ in intervals as

¹⁹³ [assignment: *access control SFP, information flow control SFP*]

¹⁹⁴ [selection, choose one of: *restrictive, permissive, [assignment: other property]*]

¹⁹⁵ [assignment: *the authorised identified roles*]

¹⁹⁶ [assignment: *information flow policy*]

¹⁹⁷ [assignment: *characteristics of the information flow that need to be concealed*]

¹⁹⁸ [assignment: *list of external entities*]

2313		follows <u>daily, other interval: none</u> ¹⁹⁹ to conceal the data
2314		flow ²⁰⁰ .
2315	Hierarchical to:	No other components.
2316	Dependencies:	No dependencies.
2317	6.8.2 Pseudonymity (FPR_PSE)	
2318	6.8.2.1 FPR_PSE.1 Pseudonymity	
2319	FPR_PSE.1.1	The TSF shall ensure that <i>external entities in the WAN</i> ²⁰¹
2320		are unable to determine the real user name bound to
2321		<i>information neither relevant for billing nor for a secure</i>
2322		<i>operation of the Grid sent to parties in the WAN</i> ²⁰² .
2323	FPR_PSE.1.2	The TSF shall be able to provide <i>aliases as defined by the</i>
2324		<i>Processing Profiles</i> ²⁰³ of the real user name for the
2325		Meter and Gateway identity ²⁰⁴ to <i>external entities in the</i>
2326		<i>WAN</i> ²⁰⁵ .
2327	FPR_PSE.1.3	The TSF shall <u>determine an alias for a user</u> ²⁰⁶ and verify
2328		that it conforms to the <i>alias given by the Gateway</i>
2329		<i>Administrator in the Processing Profile</i> ²⁰⁷ .
2330	Hierarchical to:	No other components.
2331	Dependencies:	No dependencies.
2332	Application Note 35:	When the TOE submits information about the consumption
2333		or production of a certain commodity that is not relevant for
2334		the billing process nor for a secure operation of the Grid,
2335		there is no need that this information is sent with a direct

199 [selection: *weekly, daily, hourly, [assignment: other interval]*]

200 The TOE uses a randomized value of about ±50 percent per delivery.

201 [assignment: *set of users and/or subjects*]

202 [assignment: *list of subjects and/or operations and/or objects*]

203 [assignment: *number of aliases*]

204 [refinement: *of the real user name*]

205 [assignment: *list of subjects*]

206 [selection, choose one of: *determine an alias for a user, accept the alias from the user*]

207 [assignment: *alias metric*]

2336 link to the identity of the consumer. In those cases, the
 2337 TOE shall replace the identity of the Consumer by a
 2338 pseudonymous identifier. Please note that the identity of
 2339 the Consumer may not be their name but could also be a
 2340 number (e.g. consumer ID) used for billing purposes.

2341 A Gateway may use more than one pseudonymous
 2342 identifier.

2343 A complete anonymisation would be beneficial in terms of
 2344 the privacy of the consumer. However, a complete
 2345 anonymous set of information would not allow the external
 2346 entity to ensure that the data comes from a trustworthy
 2347 source.

2348 Please note that an information flow shall only be initiated
 2349 if allowed by a corresponding Processing Profile.

2350

2351 **6.9 Class FPT: Protection of the TSF**

2352 **6.9.1 Fail secure (FPT_FLS)**

2353 6.9.1.1 FPT_FLS.1: Failure with preservation of secure state

2354 FPT_FLS.1.1 The TSF shall preserve a secure state when the following
 2355 types of failures occur:

- 2356 • *the deviation between local system time of the TOE*
- 2357 *and the reliable external time source is too large,*
- 2358 • *TOE hardware / firmware integrity violation or*
- 2359 • *TOE software application integrity violation* ²⁰⁸.

2360 Hierarchical to: No other components.

2361 Dependencies: No dependencies.

2362 **Application Note 36:** The local clock shall be as exact as required by normative
 2363 or legislative regulations. If no regulation exists, a

208 [assignment: *list of types of failures in the TSF*]

2364 maximum deviation of 3% of the measuring period is
 2365 allowed to be in conformance with [PP_GW].

2366 **6.9.2 Replay Detection (FPT_RPL)**

2367 6.9.2.1 FPT_RPL.1: Replay detection

2368 FPT_RPL.1.1 The TSF shall detect replay for the following entities: *all*
 2369 *external entities* ²⁰⁹.

2370 FPT_RPL.1.2 The TSF shall perform *ignore replayed data* ²¹⁰ when
 2371 replay is detected.

2372 Hierarchical to: No other components.

2373 Dependencies: No dependencies.

2374 **6.9.3 Time stamps (FPT_STM)**

2375 6.9.3.1 FPT_STM.1: Reliable time stamps

2376 FPT_STM.1.1 The TSF shall be able to provide reliable time stamps.

2377 Hierarchical to: No other components.

2378 Dependencies: No dependencies.

2379

2380 **6.9.4 TSF self test (FPT_TST)**

2381 6.9.4.1 FPT_TST.1: TSF testing

2382 FPT_TST.1.1 The TSF shall run a suite of self tests during initial startup,
 2383 at the request of a user and periodically during normal
 2384 operation ²¹¹ to demonstrate the correct operation of the
 2385 TSF ²¹².

209 [assignment: *list of identified entities*]

210 [assignment: *list of specific actions*]

211 [selection: *during initial start-up, periodically during normal operation, at the request of the authorised user, at the conditions*[assignment: *conditions under which self test should occur*]]

212 [selection: [assignment: *parts of TSF*], *the TSF*]

2386	FPT_TST.1.2	The TSF shall provide authorised users with the capability
2387		to verify the integrity of <u>TSF data</u> ²¹³ .
2388	FPT_TST.1.3	The TSF shall provide authorised users with the capability
2389		to verify the integrity of <u>TSF</u> ²¹⁴ .
2390	Hierarchical to:	No other components.
2391	Dependencies:	No dependencies.

2392 **6.9.5 TSF physical protection (FPT_PHP)**

2393 6.9.5.1 FPT_PHP.1: Passive detection of physical attack

2394	FPT_PHP.1.1	The TSF shall provide unambiguous detection of physical
2395		tampering that might compromise the TSF.
2396	FPT_PHP.1.2	The TSF shall provide the capability to determine whether
2397		physical tampering with the TSF's devices or TSF
2398		elements has occurred.
2399	Hierarchical to:	No other components.
2400	Dependencies:	No dependencies.

2401

2402 **6.10 Class FTP: Trusted path/channels**

2403 **6.10.1 Inter-TSF trusted channel (FTP_ITC)**

2404 6.10.1.1 FTP_ITC.1/WAN: Inter-TSF trusted channel for WAN

2405	FTP_ITC.1.1/WAN	The TSF shall provide a communication channel between
2406		itself and another trusted IT product that is logically distinct
2407		from other communication channels and provides assured
2408		identification of its end points and protection of the channel
2409		data from modification or disclosure.

213 [selection: [assignment: parts of TSF data], TSF data]

214 [selection: [assignment: parts of TSF], TSF]

2410	FTP_ITC.1.2/WAN	The TSF shall permit <u>the TSF</u> ²¹⁵ to initiate communication
2411		via the trusted channel.
2412	FTP_ITC.1.3/WAN	The TSF shall initiate communication via the trusted
2413		channel for <i>all communications to external entities in the</i>
2414		<i>WAN</i> ²¹⁶ .
2415	Hierarchical to:	No other components
2416	Dependencies:	No dependencies.
2417	6.10.1.2 FTP_ITC.1/MTR:	Inter-TSF trusted channel for Meter
2418	FTP_ITC.1.1/MTR	The TSF shall provide a communication channel between
2419		itself and another trusted IT product that is logically distinct
2420		from other communication channels and provides assured
2421		identification of its end points and protection of the channel
2422		data from modification or disclosure.
2423	FTP_ITC.1.2/MTR	The TSF shall permit the Meter and the TOE ²¹⁷ to initiate
2424		communication via the trusted channel.
2425	FTP_ITC.1.3/MTR	The TSF shall initiate communication via the trusted
2426		channel for <i>any communication between a Meter and the</i>
2427		<i>TOE</i> ²¹⁸ .
2428	Hierarchical to:	No other components.
2429	Dependencies:	No dependencies.
2430	Application Note 37:	The corresponding cryptographic primitives are defined by
2431		FCS_COP.1/MTR.
2432	6.10.1.3 FTP_ITC.1/USR:	Inter-TSF trusted channel for User
2433	FTP_ITC.1.1/USR	The TSF shall provide a communication channel between
2434		itself and another trusted IT product that is logically distinct
2435		from other communication channels and provides assured

²¹⁵ [selection: *the TSF, another trusted IT product*]

²¹⁶ [assignment: *list of functions for which a trusted channel is required*]

²¹⁷ [selection: *the TSF, another trusted IT product*]

²¹⁸ [assignment: *list of functions for which a trusted channel is required*]

2436		identification of its end points and protection of the channel
2437		data from modification or disclosure.
2438	FTP_ITC.1.2/USR	The TSF shall permit the Consumer, the Service
2439		Technician ²¹⁹ to initiate communication via the trusted
2440		channel.
2441	FTP_ITC.1.3/USR	The TSF shall initiate communication via the trusted
2442		channel for <i>any communication between a Consumer and</i>
2443		<i>the TOE and the Service Technician and the TOE</i> ²²⁰ .
2444	Hierarchical to:	No other components.
2445	Dependencies:	No dependencies.

2446

2447 **6.11 Security Assurance Requirements for the TOE**

2448 The minimum Evaluation Assurance Level for this Security Target is **EAL 4 augmented**
 2449 **by AVA_VAN.5 and ALC_FLR.2**. The following table lists the assurance components
 2450 which are therefore applicable to this ST.

Assurance Class	Assurance Component
Development	ADV_ARC.1
	ADV_FSP.4
	ADV_IMP.1
	ADV_TDS.3
Guidance documents	AGD_OPE.1
	AGD_PRE.1
Life-cycle support	ALC_CMC.4

219 [selection: *the TSF, another trusted IT product*]

220 [assignment: *list of functions for which a trusted channel is required*]

Assurance Class	Assurance Component
	ALC_CMS.4
	ALC_DEL.1
	ALC_DVS.1
	ALC_LCD.1
	ALC_TAT.1
	ALC_FLR.2
Security Target Evaluation	ASE_CCL.1
	ASE_ECD.1
	ASE_INT.1
	ASE_OBJ.2
	ASE_REQ.2
	ASE_SPD.1
	ASE_TSS.1
Tests	ATE_COV.2
	ATE_DPT.1
	ATE_FUN.1
	ATE_IND.2
Vulnerability Assessment	AVA_VAN.5

2452 **6.12 Security Requirements rationale**

2453 **6.12.1 Security Functional Requirements rationale**

2454 6.12.1.1 Fulfilment of the Security Objectives

2455 This chapter proves that the set of security requirements (TOE) is suited to fulfil the
 2456 security objectives described in chapter 4 and that each SFR can be traced back to the
 2457 security objectives. At least one security objective exists for each security requirement.

	O.Firewall	O.SeparateIF	O.Conceal	O.Meter	O.Crypt	O.Time	O.Protect	O.Manage-	O.Log	O.Access
FAU_ARP.1/SYS									X	
FAU_GEN.1/SYS									X	
FAU_SAA.1/SYS									X	
FAU_SAR.1/SYS									X	
FAU_STG.4/SYS									X	
FAU_GEN.1/CON									X	
FAU_SAR.1/CON									X	
FAU_STG.4/CON									X	
FAU_GEN.1/CAL									X	
FAU_SAR.1/CAL									X	
FAU_STG.4/CAL									X	
FAU_GEN.2									X	
FAU_STG.2									X	
FCO_NRO.2				X						

	O.Firewall	O.SeparateIF	O.Conceal	O.Meter	O.Crypt	O.Time	O.Protect	O.Manage-	O.Log	O.Access
FCS_CKM.1/TLS					X					
FCS_COP.1/TLS					X					
FCS_CKM.1/CMS					X					
FCS_COP.1/CMS					X					
FCS_CKM.1/MTR					X					
FCS_COP.1/MTR					X					
FCS_CKM.4					X					
FCS_COP.1/HASH					X					
FCS_COP.1/MEM					X		X			
FDP_ACC.2										X
FDP_ACF.1										X
FDP_IFC.2/FW	X	X								
FDP_IFF.1/FW	X	X								
FDP_IFC.2/MTR				X		X				
FDP_IFF.1/MTR				X		X				
FDP_RIP.2							X			
FDP_SDI.2							X			
FIA_ATD.1								X		

	O.Firewall	O.SeparateIF	O.Conceal	O.Meter	O.Crypt	O.Time	O.Protect	O.Manage-	O.Log	O.Access
FIA_AFL.1								X		
FIA_UAU.2								X		
FIA_UAU.5										X
FIA_UAU.6										X
FIA_UID.2								X		
FIA_USB.1								X		
FMT_MOF.1								X		
FMT_SMF.1								X		
FMT_SMR.1								X		
FMT_MSA.1/AC								X		
FMT_MSA.3/AC								X		
FMT_MSA.1/FW								X		
FMT_MSA.3/FW								X		
FMT_MSA.1/MTR								X		
FMT_MSA.3/MTR								X		
FPR_CON.1			X							
FPR_PSE.1				X						
FPT_FLS.1							X			

	O.Firewall	O.SeparateIF	O.Conceal	O.Meter	O.Crypt	O.Time	O.Protect	O.Manage-	O.Log	O.Access
FPT_RPL.1					X					
FPT_STM.1						X			X	
FPT_TST.1		X					X			
FPT_PHP.1							X			
FTP_ITC.1/WAN	X									
FTP_ITC.1/MTR				X						
FTP_ITC.1/USR									X	

2458 **Table 17: Fulfilment of Security Objectives**

2459 The following paragraphs contain more details on this mapping.

2460 **6.12.1.1.1 O.Firewall**

2461 O.Firewall is met by a combination of the following SFRs:

- 2462 • **FDP_IFC.2/FW** defines that the TOE shall implement an information flow policy
- 2463 for its firewall functionality.
- 2464 • **FDP_IFF.1/FW** defines the concrete rules for the firewall information flow policy.
- 2465 • **FTP_ITC.1/WAN** defines the policy around the trusted channel to parties in the
- 2466 WAN.

2467 **6.12.1.1.2 O.SeparateIF**

2468 O.SeparateIF is met by a combination of the following SFRs:

- 2469 • **FDP_IFC.2/FW** and **FDP_IFF.1/FW** implicitly require the TOE to implement
- 2470 physically separate ports for WAN and LMN.
- 2471 • **FPT_TST.1** implements a self test that also detects whether the ports for WAN
- 2472 and LAN have been interchanged.

2473 **6.12.1.1.3 O.Conceal**2474 O.Conceal is completely met by **FPR_CON.1** as directly follows.2475 **6.12.1.1.4 O.Meter**

2476 O.Meter is met by a combination of the following SFRs:

- 2477 • **FDP_IFC.2/MTR** and **FDP_IFF.1/MTR** define an information flow policy to
2478 introduce how the Gateway shall handle Meter Data.
- 2479 • **FCO_NRO.2** ensure that all Meter Data will be signed by the Gateway (invoking
2480 the services of its Security Module) before being submitted to external entities.
- 2481 • **FPR_PSE.1** defines requirements around the pseudonymization of Meter
2482 identities for Status data.
- 2483 • **FTP_ITC.1/MTR** defines the requirements around the Trusted Channel that
2484 shall be implemented by the Gateway in order to protect information submitted
2485 via the Gateway and external entities in the WAN or the Gateway and a
2486 distributed Meter.

2487

2488 **6.12.1.1.5 O.Crypt**

2489 O.Crypt is met by a combination of the following SFRs:

- 2490 • **FCS_CKM.4** defines the requirements around the secure deletion of ephemeral
2491 cryptographic keys.
- 2492 • **FCS_CKM.1/TLS** defines the requirements on key negotiation for the TLS
2493 protocol.
- 2494 • **FCS_CKM.1/CMS** defines the requirements on key generation for symmetric
2495 encryption within CMS.
- 2496 • **FCS_COP.1/TLS** defines the requirements around the encryption and
2497 decryption capabilities of the Gateway for communications with external parties
2498 and to Meters.
- 2499 • **FCS_COP.1/CMS** defines the requirements around the encryption and
2500 decryption of content and administration data.
- 2501 • **FCS_CKM.1/MTR** defines the requirements on key negotiation for meter com-
2502 munication encryption.
- 2503 • **FCS_COP.1/MTR** defines the cryptographic primitives for meter
2504 communication encryption.
- 2505 • **FCS_COP.1/HASH** defines the requirements on hashing that are needed in the
2506 context of digital signatures (which are created and verified by the Security
2507 Module).
- 2508 • **FCS_COP.1/MEM** defines the requirements around the encryption of TSF data.
- 2509 • **FPT_RPL.1** ensures that a replay attack for communications with external
2510 entities is detected.

2511 **6.12.1.1.6 O.Time**

2512 O.Time is met by a combination of the following SFRs:

- 2513 • **FDP_IFC.2/MTR** and **FDP_IFF.1/MTR** define the required update functionality
2514 for the local time as part of the information flow control policy for handling Meter
2515 Data.
- 2516 • **FPT_STM.1** defines that the TOE shall be able to provide reliable time stamps.

2517

2518 **6.12.1.1.7 O.Protect**

2519 O.Protect is met by a combination of the following SFRs:

- 2520 • **FCS_COP.1/MEM** defines that the TOE shall encrypt its TSF and user data as
2521 long as it is not in use.
- 2522 • **FDP_RIP.2** defines that the TOE shall make information unavailable as soon
2523 as it is no longer needed.
- 2524 • **FDP_SDI.2** defines requirements around the integrity protection for stored data.
- 2525 • **FPT_FLS.1** defines requirements that the TOE falls back to a safe state for
2526 specific error cases.
- 2527 • **FPT_TST.1** defines the self testing functionality to detect whether the interfaces
2528 for WAN and LAN are separate.
- 2529 • **FPT_PHP.1** defines the exact requirements around the physical protection that
2530 the TOE has to provide.

2531 **6.12.1.1.8 O.Management**

2532 O.Management is met by a combination of the following SFRs:

- 2533 • **FIA_ATD.1** defines the attributes for users.
- 2534 • **FIA_AFL.1** defines the requirements if the authentication of users fails multiple
2535 times.
- 2536 • **FIA_UAU.2** defines requirements around the authentication of users.
- 2537 • **FIA_UID.2** defines requirements around the identification of users.
- 2538 • **FIA_USB.1** defines that the TOE must be able to associate users with subjects
2539 acting on behalf of them.
- 2540 • **FMT_MOF.1** defines requirements around the limitations for management of
2541 security functions.
- 2542 • **FMT_MSA.1/AC** defines requirements around the limitations for management
2543 of attributes used for the Gateway access SFP.
- 2544 • **FMT_MSA.1/FW** defines requirements around the limitations for management
2545 of attributes used for the Firewall SFP.
- 2546 • **FMT_MSA.1/MTR** defines requirements around the limitations for management
2547 of attributes used for the Meter SFP.
- 2548 • **FMT_MSA.3/AC** defines the default values for the Gateway access SFP.
- 2549 • **FMT_MSA.3/FW** defines the default values for the Firewall SFP.
- 2550 • **FMT_MSA.3/MTR** defines the default values for the Meter SFP.

- 2551
- **FMT_SMF.1** defines the management functionalities that the TOE must offer.
- 2552
- **FMT_SMR.1** defines the role concept for the TOE.

2553

6.12.1.1.9 O.Log

2554 O.Log defines that the TOE shall implement three different audit processes that are
2555 covered by the Security Functional Requirements as follows:

2556

System Log

2557 The implementation of the system log itself is covered by the use of **FAU_GEN.1/SYS**.
2558 **FAU_ARP.1/SYS** and **FAU_SAA.1/SYS** allow to define a set of criteria for automated
2559 analysis of the audit and a corresponding response. **FAU_SAR.1/SYS** defines the
2560 requirements around the audit review functions and that access to them shall be limited
2561 to authorised Gateway Administrators via the IF_GW_WAN interface and to authorised
2562 Service Technicians via the IF_GW_SRV interface. Finally, **FAU_STG.4/SYS** defines
2563 the requirements on what should happen if the audit log is full.

2564

Consumer Log

2565 The implementation of the consumer log itself is covered by the use of
2566 **FAU_GEN.1/CON**. **FAU_STG.4/CON** defines the requirements on what should happen
2567 if the audit log is full. **FAU_SAR.1/CON** defines the requirements around the audit review
2568 functions for the consumer log and that access to them shall be limited to authorised
2569 Consumer via the IF_GW_CON interface. **FTP_ITC.1/USR** defines the requirements on
2570 the protection of the communication of the Consumer with the TOE.

2571

Calibration Log

2572 The implementation of the calibration log itself is covered by the use of
2573 **FAU_GEN.1/CAL**. **FAU_STG.4/CAL** defines the requirements on what should happen
2574 if the audit log is full. **FAU_SAR.1/CAL** defines the requirements around the audit review
2575 functions for the calibration log and that access to them shall be limited to authorised
2576 Gateway Administrators via the IF_GW_WAN interface.

2577 **FAU_GEN.2**, **FAU_STG.2** and **FPT_STM.1** apply to all three audit processes.

2578

6.12.1.1.10 O.Access

2579 **FDP_ACC.2** and **FDP_ACF.1** define the access control policy as required to address
2580 O.Access. **FIA_UAU.5** ensures that entities that would like to communicate with the TOE
2581 are authenticated before any action whereby **FIA_UAU.6** ensures that external entities

2582 in the WAN are re-authenticated after the session key has been used for a certain
 2583 amount of time.

2584 6.12.1.2 Fulfilment of the dependencies

2585 The following table summarises all TOE functional requirements dependencies of this
 2586 ST and demonstrates that they are fulfilled.

SFR	Dependencies	Fulfilled by
FAU_ARP.1/SYS	FAU_SAA.1 Potential violation analysis	FAU_SAA.1/SYS
FAU_GEN.1/SYS	FPT_STM.1 Reliable time stamps	FPT_STM.1
FAU_SAA.1/SYS	FAU_GEN.1 Audit data generation	FAU_GEN.1/SYS
FAU_SAR.1/SYS	FAU_GEN.1 Audit data generation	FAU_GEN.1/SYS
FAU_STG.4/SYS	FAU_STG.1 Protected audit trail storage	FAU_STG.2
FAU_GEN.1/CON	FPT_STM.1 Reliable time stamps	FPT_STM.1
FAU_SAR.1/CON	FAU_GEN.1 Audit data generation	FAU_GEN.1/CON
FAU_STG.4/CON	FAU_STG.1 Protected audit trail storage	FAU_STG.2
FAU_GEN.1/CAL	FPT_STM.1 Reliable time stamps	FPT_STM.1
FAU_SAR.1/CAL	FAU_GEN.1 Audit data generation	FAU_GEN.1/CAL
FAU_STG.4/CAL	FAU_STG.1 Protected audit trail storage	FAU_STG.2
FAU_GEN.2	FAU_GEN.1 Audit data generation FIA_UID.1 Timing of identification	FAU_GEN.1/SYS FAU_GEN.1/CON FIA_UID.2
FAU_STG.2	FAU_GEN.1 Audit data generation	FAU_GEN.1/SYS FAU_GEN.1/CON FAU_GEN.1/CAL

FCO_NRO.2	FIA_UID.1 Timing of identification	FIA_UID.2
FCS_CKM.1/TLS	[FCS_CKM.2 Cryptographic key distribution, or FCS_COP.1 Cryptographic operation] FCS_CKM.4 Cryptographic key destruction	FCS_COP.1/TLS FCS_CKM.4
FCS_COP.1/TLS	[FDP_ITC.1 Import of user data without security attributes, or FDP_ITC.2 Import of user data with security attributes, or FCS_CKM.1 Cryptographic key generation] FCS_CKM.4 Cryptographic key destruction	FCS_CKM.1/TLS FCS_CKM.4
FCS_CKM.1/CMS	[FCS_CKM.2 Cryptographic key distribution, or FCS_COP.1 Cryptographic operation] FCS_CKM.4 Cryptographic key destruction	FCS_COP.1/CMS FCS_CKM.4
FCS_COP.1/CMS	[FDP_ITC.1 Import of user data without security attributes, or FDP_ITC.2 Import of user data with security attributes, or FCS_CKM.1 Cryptographic key generation] FCS_CKM.4 Cryptographic key destruction	FCS_CKM.1/CMS FCS_CKM.4
FCS_CKM.1/MTR	[FCS_CKM.2 Cryptographic key distribution, or FCS_COP.1 Cryptographic operation] FCS_CKM.4 Cryptographic key destruction	FCS_COP.1/MTR FCS_CKM.4
FCS_COP.1/MTR	[FDP_ITC.1 Import of user data without security attributes, or FDP_ITC.2 Import of user data with security attributes, or	FCS_CKM.1/TLS FCS_CKM.4

	FCS_CKM.1 Cryptographic key generation] FCS_CKM.4 Cryptographic key destruction	
FCS_CKM.4	[FDP_ITC.1 Import of user data without security attributes, or FDP_ITC.2 Import of user data with security attributes, or FCS_CKM.1 Cryptographic key generation]	FCS_CKM.1/TLS FCS_CKM.1/CMS FCS_CKM.1/MTR
FCS_COP.1/HASH	[FDP_ITC.1 Import of user data without security attributes, or FDP_ITC.2 Import of user data with security attributes, or FCS_CKM.1 Cryptographic key generation] FCS_CKM.4 Cryptographic key destruction	Please refer to chapter 6.12.1.3 for missing dependency FCS_CKM.4
FCS_COP.1/MEM	[FDP_ITC.1 Import of user data without security attributes, or FDP_ITC.2 Import of user data with security attributes, or FCS_CKM.1 Cryptographic key generation] FCS_CKM.4 Cryptographic key destruction	not fulfilled ²²¹ FCS_CKM.4
FDP_ACC.2	FDP_ACF.1 Security attribute based access control	FDP_ACF.1
FDP_ACF.1	FDP_ACC.1 Subset access control FMT_MSA.3 Static attribute initialisation	FDP_ACC.2 FMT_MSA.3/AC
FDP_IFC.2/FW	FDP_IFF.1 Simple security attributes	FDP_IFF.1/FW

²²¹ The key will be generated by secure production environment and not the TOE itself.

FDP_IFF.1/FW	FDP_IFC.1 Subset information flow control FMT_MSA.3 Static attribute initialisation	FDP_IFC.2/FW FMT_MSA.3/FW
FDP_IFC.2/MTR	FDP_IFF.1 Simple security attributes	FDP_IFF.1/MTR
FDP_IFF.1/MTR	FDP_IFC.1 Subset information flow control FMT_MSA.3 Static attribute initialisation	FDP_IFC.2/MTR FMT_MSA.3/MTR
FDP_RIP.2	-	-
FDP_SDI.2	-	-
FIA_ATD.1	-	-
FIA_AFL.1	FIA_UAU.1 Timing of authentication	FIA_UAU.2
FIA_UAU.2	FIA_UID.1 Timing of identification	FIA_UID.2
FIA_UAU.5	-	-
FIA_UAU.6	-	-
FIA_UID.2	-	-
FIA_USB.1	FIA_ATD.1 User attribute definition	FIA_ATD.1
FMT_MOF.1	FMT_SMR.1 Security roles FMT_SMF.1 Specification of Management Functions	FMT_SMR.1 FMT_SMF.1
FMT_SMF.1	-	-
FMT_SMR.1	FIA_UID.1 Timing of identification	FIA_UID.2
FMT_MSA.1/AC	[FDP_ACC.1 Subset access control, or FDP_IFC.1 Subset information flow control] FMT_SMR.1 Security roles	FDP_ACC.2 FMT_SMR.1 FMT_SMF.1

	FMT_SMF.1 Specification of Management Functions	
FMT_MSA.3/AC	FMT_MSA.1 Management of security attributes FMT_SMR.1 Security roles	FMT_MSA.1/AC FMT_SMR.1
FMT_MSA.1/FW	[FDP_ACC.1 Subset access control, or FDP_IFC.1 Subset information flow control] FMT_SMR.1 Security roles FMT_SMF.1 Specification of Management Functions	FDP_IFC.2/WAN FMT_SMR.1 FMT_SMF.1
FMT_MSA.3/FW	FMT_MSA.1 Management of security attributes FMT_SMR.1 Security roles	FMT_MSA.1/FW FMT_SMR.1
FMT_MSA.1/MTR	[FDP_ACC.1 Subset access control, or FDP_IFC.1 Subset information flow control] FMT_SMR.1 Security roles FMT_SMF.1 Specification of Management Functions	FDP_IFC.2/MTR FMT_SMR.1 FMT_SMF.1
FMT_MSA.3/MTR	FMT_MSA.1 Management of security attributes FMT_SMR.1 Security roles	FMT_MSA.1/MTR FMT_SMR.1
FPR_CON.1	-	-
FPR_PSE.1	-	-
FPT_FLS.1	-	-
FPT_RPL.1	-	-
FPT_STM.1	-	-
FPT_TST.1	-	-

FPT_PHP.1	-	-
FTP_ITC.1/WAN	-	-
FTP_ITC.1/MTR	-	-
FTP_ITC.1/USR	-	-

2587 **Table 18: SFR Dependencies**

2588 6.12.1.3 Justification for missing dependencies

2589 Dependency FCS_CKM.1 for FCS_COP.1/MEM ist not fulfilled. For the key generation
 2590 process an external security module (“D-HSM”) is used so that the key is imported from
 2591 an HSM during TOE production.

2592 The hash algorithm as defined in FCS_COP.1/HASH does not need any key material.
 2593 As such the dependency to an import or generation of key material is omitted for this
 2594 SFR.

2595 **6.12.2 Security Assurance Requirements rationale**

2596 The decision on the assurance level has been mainly driven by the assumed attack
 2597 potential. As outlined in the previous chapters of this Security Target it is assumed that
 2598 – at least from the WAN side – a high attack potential is posed against the security
 2599 functions of the TOE. This leads to the use of AVA_VAN.5 (Resistance against high
 2600 attack potential).

2601 In order to keep evaluations according to this Security Target commercially feasible EAL
 2602 4 has been chosen as assurance level as this is the lowest level that provides the
 2603 prerequisites for the use of AVA_VAN.5.

2604 Eventually, the augmentation by ALC_FLR.2 has been chosen to emphasize the
 2605 importance of a structured process for flaw remediation at the developer’s side,
 2606 specifically for such a new technology.

2607 6.12.2.1 Dependencies of assurance components

2608 The dependencies of the assurance requirements taken from EAL 4 are fulfilled
 2609 automatically. The augmentation by AVA_VAN.5 and ALC_FLR.2 does not introduce
 2610 additional assurance components that are not contained in EAL 4.

2611 7 TOE Summary Specification

2612 The following paragraph provides a TOE summary specification describing how the TOE
2613 meets each SFR.

2614 2615 **7.1 SF.1: Authentication of Communication and Role Assignment** 2616 **for external entities**

2617 The TOE contains a software module that authenticates all communication channels
2618 with WAN, HAN and LMN networks. The authentication is based on the TLS 1.2 protocol
2619 compliant to [RFC 5246]. According to [TR-03109], this TLS authentication mechanism
2620 is used for all TLS secured communications channels with external entities. The TOE
2621 does always implement the bidirectional authentication as required by [TR-03109-1] with
2622 one exception: if the Consumer requests a password-based authentication from the
2623 GWA according to [TR-03109-1], and the GWA activates this authentication method for
2624 this Consumer, the TOE uses a unidirectional TLS authentication. Thus, although the
2625 client has not sent a valid certificate, the TOE continues the TLS authentication process
2626 with the password authentication process for this client (see [RFC 5246, chap. 7.4.6.]).
2627 The password policy to be fulfilled hereby is that the password must be at least 10 char-
2628 acters long containing at least one character of each of the following character groups:
2629 capital letters, small letters, digits, and special characters (!"§\$%&/()=?+*~#',;:-_). Fur-
2630 ther characters could also be used.

2631 [TR-03109-1] requires the TOE to use elliptical curves conforming to [RFC 5289]
2632 whereas the following cipher suites are supported:

- 2633 • TLS_ECDHE_ECDSA_WITH_AES_128_CBC_SHA256,
- 2634 • TLS_ECDHE_ECDSA_WITH_AES_256_CBC_SHA384,
- 2635 • TLS_ECDHE_ECDSA_WITH_AES_128_GCM_SHA256, and
- 2636 • TLS_ECDHE_ECDSA_WITH_AES_256_GCM_SHA384.

2637 The following elliptical curves are supported by the TOE

- 2638 • BrainpoolP256r1 (according to [RFC 5639]),
- 2639 • BrainpoolP384r1 (according to [RFC 5639]),
- 2640 • BrainpoolP512r1 (according to [RFC 5639]),
- 2641 • NIST P-256 (according to [RFC 5114]), and
- 2642 • NIST P-384 (according to [RFC 5114]).

2643 Alongside, the TOE supports the case of unidirectional communication with wireless me-
2644 ter (via the wM-Bus protocol), where the external entity is authenticated via AES with
2645 CMAC authentication. In this case, the AES algorithm is operating in CBC mode with
2646 128-bit symmetric keys. The authentication is successful in case that the CMAC has
2647 been successfully verified by the use of a cryptographic key K_{mac} . The cryptographic key
2648 for CMAC authentication (K_{mac}) is derived from the meter individual key MK conformant
2649 to [TR-03116-3, chap. 7.2]. The meter individual key MK (brought into the TOE by the
2650 GWA) is selected by the TOE through the MAC-protected but unencrypted meter-id sub-
2651 mitted by the meter.

2652 The generation of the cryptographic key material for TLS secured communication chan-
2653 nels utilizes a Security Module. This Security Module is compliant to [TR-03109-2] and
2654 evaluated according to [SecModPP].

2655 The destruction of cryptographic key material used by the TOE is performed through
2656 “zeroisation”. The TOE stores all ephemeral keys used for TLS secured communication
2657 or other cryptographic operations in the RAM only. For instance, whenever a TLS se-
2658 cured communication is terminated, the TOE wipes the RAM area used for the crypto-
2659 graphic key material with 0-bytes directly after finishing the usage of that material.

2660 The TOE receives the authentication certificate of the external entity during the hand-
2661 shake phase of the TLS protocol. For the establishment of the TLS secured communi-
2662 cation channel, the TOE verifies the correctness of the signed data transmitted during
2663 the TLS protocol handshake phase. While importing an authentication certificate the
2664 TOE verifies the certificate chain of the certificate for all certificates of the SM-PKI ac-
2665 cording to [TR-03109-4]. Note, that the certificate used for the TLS-based authentication
2666 of wired meters is self-signed and not part of the SM-PKI. Additionally, the TOE checks
2667 whether the certificate is configured by the Gateway Administrator for the used interface,
2668 and whether the remote IP address used and configured in the TSF data are identical
2669 (**FIA_USB.1**). The TOE does not check the certificate’s revocation status. In order to
2670 authenticate the external entity, the key material of the TOE’s communication partner
2671 must be known and trusted.

2672 The following communication types are known to the TOE ²²²:

2673 a) WAN communication via IF_GW_WAN

²²² Please note that the TOE additionally offers the interface IF_GW_SM to the certified Security Module built into the TOE.

- 2674 b) LMN communication via IF_GW_MTR (wireless or wired Meter)
2675 c) HAN communication via IF_GW_CON, IF_GW_CLS or IF_GW_SRV

2676 Except the communication with wireless meters at IF_GW_MTR, all communication
2677 types are TLS-based. In order to accept a TLS communication connection as being au-
2678 thenticated, the following conditions must be fulfilled:

- 2679 a) The TLS channel must have been established successfully with the required
2680 cryptographic mechanisms.
2681 b) The certificate of the external entity must be known and trusted through config-
2682 uration by the Gateway Administrator, and associated with the according com-
2683 munication type²²³.

2684 For the successfully authenticated external entity, the TOE performs an internal assign-
2685 ment of the communication type based on the certificate received at the external inter-
2686 face if applicable. The user identity is associated with the name of the certificate owner
2687 in case of a certificate-based authentication or with the user name in case of a password-
2688 based authentication at interface IF_GW_CON.

2689 For the LMN communication of the TOE with wireless (a.k.a. wM-Bus-based) meters,
2690 the external entity is authenticated by the use of the AES-CMAC algorithm and the me-
2691 ter-ID for wired Meters is used for association to the user identity (**FIA_USB.1**). This
2692 communication is only allowed for meters not supporting TLS-based communication
2693 scenarios.

2694 **FCS_CKM.1/TLS** is fulfilled by the TOE through the implementation of the pseudoran-
2695 dom function of the TLS protocol compliant to [RFC 5246] while the Security Module is
2696 used by the TOE for the generation of the cryptographic key material. The use of TLS
2697 according to [RFC 5246] and the use of the postulated cipher suites according to
2698 [RFC 5639] fulfill the requirement **FCS_COP.1/TLS**. The requirements
2699 **FCS_CKM.1/MTR** and **FCS_COP.1/MTR** are fulfilled by the use of AES-CMAC-secured
2700 communication for wireless meters. The requirement **FCS_CKM.4** is fulfilled by the de-
2701 scribed method of “zeroisation” when destroying cryptographic key material. The imple-
2702 mentation of the described mechanisms (especially the use of TLS and AES-CBC with
2703 CMAC) fulfills the requirements **FTP_ITC.1/WAN**, **FTP_ITC.1/MTR**, and

²²³ Of course, this does not apply if password-based authentication is configured at IF_GW_CON.

2704 **FTP_ITC.1/USR. FPT_RPL.1** is fulfilled by the use of the TLS protocol respectively the
2705 integration of transmission counters according to [TR-03116-3, chap. 7.3].

2706 A successfully established connection will be automatically disconnected by the TOE if
2707 a TLS channel to the WAN is established more than 48 hours, if a TLS channel to the
2708 LMN has transmitted more than 5 MB of information or if a channel to a local user is
2709 inactive for a time configurable by the authorised Gateway Administrator of up to 10
2710 minutes, and a new connection establishment will require a new full authentication pro-
2711 cedure (**FIA_UAU.6**). In any case – whether the connection has been successfully es-
2712 tablished or not – all associated resources related with the connection or connection
2713 attempt are freed. The implementation of this requirement is done by means of the TOE's
2714 operation system monitoring and limiting the resources of each process. This means
2715 that with each connection (or connection attempt) an internal session is created that is
2716 associated with resources monitored and limited by the TOE. All resources are freed
2717 even before finishing a session if the respective resource is no longer needed so that no
2718 previous information content of a resource is made available. Especially, the associated
2719 cryptographic key material is wiped as soon it is no longer needed. As such, the TOE
2720 ensures that during the phase of connection termination the internal session is also ter-
2721 minated and by this, all internal data (associated cryptographic key material and volatile
2722 data) is wiped by the zeroisation procedure described. Allocated physical resources are
2723 also freed. In case non-volatile data is no longer needed, the associated resources data
2724 are freed, too. The TOE doesn't reuse any objects after deallocation of the resource
2725 (**FDP_RIP.2**).

2726 If the external entity can be successfully authenticated on basis of the received certificate
2727 (or the password in case of a consumer using password authentication) and the ac-
2728 claimed identity could be approved for the used external interface, the TOE associates
2729 the user identity, the authentication status and the connecting network to the role ac-
2730 cording to the internal role model (**FIA_ATD.1**). In order to implement this, the TOE uti-
2731 lizes an internal data model which supplies the allowed communication network and
2732 other restricting properties linked with the submitted security attribute on the basis of the
2733 submitted authentication data providing the multiple mechanisms for authentication of
2734 any user's claimed identity according to the necessary rules according to [TR-03109-1]
2735 (**FIA_UAU.5**).

2736 In case of wireless meter communication (via the wM-Bus protocol), the security attribute
2737 of the Meter is the meter-id authenticated by the CMAC, where the meter-id is the identity
2738 providing criterion that is used by the TOE. The identity of the Meter is associated to the

2739 successfully authenticated external entity by the TOE and linked to the respective role
2740 according to Table 5 and its active session. In this case, the identity providing criterion
2741 is also the meter-id.

2742 The TOE enforces an explicit and complete security policy protecting the data flow for
2743 all external entities (**FDP_IFC.2/FW**, **FDP_IFF.1/FW**, **FDP_IFC.2/MTR**,
2744 **FDP_IFF.1/MTR**). The security policy defines the accessibility of data for each external
2745 entity and additionally the permitted actions for these data. Moreover, the external enti-
2746 ties do also underlie restrictions for the operations which can be executed with the TOE
2747 (**FDP_ACF.1**). In case that it is not possible to authenticate an external entity success-
2748 fully (e.g. caused by unknown authentication credentials), no other action is allowed on
2749 behalf of this user and the concerning connection is terminated (**FIA_UAU.2**). Any com-
2750 munication is only possible after successful authentication and identification of the ex-
2751 ternal entity (**FIA_UID.2**, **FIA_USB.1**).

2752 The reception of the wake-up service data package is a special case that requests the
2753 TOE to establish a TLS authenticated and protected connection to the Gateway Admin-
2754 istrator. The TOE validates the data package due to its compliance to the structure de-
2755 scribed in [TR-03109-1] and verifies the ECDSA signature with the public key of the
2756 Gateway Administrator's certificate which must be known and trusted to the TOE. The
2757 TOE does not perform a revocation check or any validity check compliant to the shell
2758 model. The TOE verifies the electronic signature successfully when the certificate is
2759 known, trusted and associated to the Gateway Administrator. The TOE establishes the
2760 connection to the Gateway Administrator when the package has been validated due to
2761 its structural conformity, the signature has been verified and the integrated timestamp
2762 fulfills the requirements of [TR-03109-1]. Receiving the data package and the successful
2763 validation of the wake-up package does not mean that the Gateway Administrator has
2764 successfully been authenticated.

2765 If the Gateway Administrator could be successfully authenticated based on the certificate
2766 submitted during the TLS handshake phase, the role will be assigned by the TOE ac-
2767 cording to now approved identity based on the internal role model and the TLS channel
2768 will be established.

2769 **WAN roles**

2770 The TOE assigns the following roles in the WAN communication (**FMT_SMR.1**):

- 2771 • authorised Gateway Administrator,
- 2772 • authorised External Entity.

2773 The role assignment is based on the X.509 certificate used by the external entity during
2774 TLS connection establishment. The TOE has explicit knowledge of the Gateway Admin-
2775 istrator's certificate and the assignment of the role "Gateway Administrator" requires the
2776 successful authentication of the WAN connection.

2777 The assignment of the role "Authorized External Entity" requires the X.509 certificate
2778 that is used during the TLS handshake to be part of an internal trust list that is under
2779 control of the TOE.

2780 The role "Authorized External Entity" can be assigned to more than one external entity.

2781 **HAN roles**

2782 The TOE differentiates and assigns the following roles in the HAN communication
2783 (**FMT_SMR.1**):

- 2784 • authorised Consumer
- 2785 • authorised Service Technician

2786 The role assignment is based on the X.509 certificate used by the external entity for
2787 TLS-secured communication channels or on password-based authentication at interface
2788 IF_GW_CON if configured (**FIA_USB.1**).

2789 The assignment of roles in the HAN communication requires the successful identification
2790 of the external entity as a result of a successful authentication based on the certificate
2791 used for the HAN connection. The certificates used to authenticate the "Consumer" or
2792 the "Service Technician" are explicitly known to the TOE through configuration by the
2793 Gateway Administrator.

2794 **Multi-client capability in the HAN**

2795 The HAN communication might use more than one, parallel and independent authenti-
2796 cated communication channels. The TOE ensures that the certificates that are used for
2797 the authentication are different from each other.

2798 The role "Consumer" can be assigned to multiple, parallel sessions. The TOE ensures
2799 that these parallel sessions are logically distinct from each other by the use of different
2800 authentication information. This ensures that only the Meter Data associated with the
2801 authorized user are provided and Meter Data of other users are not accessible.

2802 **LMN roles**

2803 One of the following authentication mechanisms is used for Meters:

- 2804 a) authentication by the use of TLS according to [RFC 5246] for wired Meters
2805 a) authentication by the use of AES with CMAC authentication according to
2806 [RFC 3394] for wireless Meters.

2807 The TOE explicitly knows the identification credentials needed for authentication (X.509
2808 certificate when using TLS; meter-id in conjunction with CMAC and known K_{mac} when
2809 using AES) through configuration by the Gateway Administrator. If the Meter could be
2810 successfully authenticated and the claimed identity could thus be proved, the according
2811 role "Authorised External Entity" is assigned by the TOE for this Meter at IF_GW_MTR
2812 based on the internal role model.

2813 **LMN multi-client capabilities**

2814 The LMN communication can be run via parallel, logically distinct and separately au-
2815 thenticated communication channels. The TOE ensures that the authentication creden-
2816 tials of each separate channel are different.

2817 The TOE's internal policy for access to data and objects under control of the TOE is
2818 closely linked with the identity of the external entity at IF_GW_MTR according to the
2819 TOE-internal role model. Based on the successfully verified authentication data, a per-
2820 mission catalogue with security attributes is internally assigned, which defines the al-
2821 lowed actions and access permissions within a communication channel.

2822 The encapsulation of the TOE processes run by this user is realized through the mech-
2823 anisms offered by the TOE's operating system and very restrictive user rights for each
2824 process. Each role is assigned to a separate, limited user account in the TOE's operating
2825 system. For all of these accounts, it is only allowed to read, write or execute the files
2826 absolutely necessary for implementing the program logic. For each identity interacting
2827 with the TOE, a separate operating system process is started. Especially, the databases
2828 used by the TOE and the logging service are adequately separated for enforcement of
2829 the necessary security domain separation (**FDP_ACF.1**). The allowed actions and ac-
2830 cess permissions and associated objects are assigned to the successfully approved
2831 identity of the user based on the used authentication credentials and the resulting asso-
2832 ciated role. The current session is unambiguously associated with this user. No interac-
2833 tion (e.g. access to Meter Data) is possible without an appropriate permission catalogue
2834 (**FDP_ACC.2**). The freeing of the role assignment and associated resources are ensured
2835 through the monitoring of the current session.

2836 7.2SF.2: Acceptance and Deposition of Meter Data, Encryption of 2837 Meter Data for WAN transmission

2838 The TOE receives Meter Data from an LMN communication channel and deposits these
2839 Meter Data with the associated data for tariffing in a database especially assigned to this
2840 individual Meter residing in an encrypted file system (**FCS_COP.1/MEM**). The time in-
2841 terval for receiving or retrieving Meter Data can be configured individually per meter
2842 through a successfully authenticated Gateway Administrator and are initialized by the
2843 TOE during the setup procedure with pre-defined values.

2844 The Meter Data are cryptographically protected and their integrity is verified by the TOE
2845 before the tariffing and deposition is performed. In case of a TLS secured communica-
2846 tion, the integrity and confidentiality of the transmitted data is protected by the TLS pro-
2847 tocol according to [RFC 5246]. In case of a unidirectional communication at
2848 IF_GW_MTR/wireless, the integrity is verified by the verification of the CMAC check sum
2849 whereas the protection of the confidentiality is given by the use of AES in CBC mode
2850 with 128 bit key length in combination with the CMAC authentication (**FCS_CKM.1/MTR**,
2851 **FCS_COP.1/MTR**). The AES encryption key has been brought into the TOE via a man-
2852 agement function during the pairing process for the Meter. In the TOE's internal data
2853 model, the used cryptographic keys K_{mac} and K_{enc} are associated with the meter-id due
2854 to the fact of the unidirectional communication. The TOE contains a packet monitor for
2855 Meter Data to avoid replay attacks based on the re-sending of Meter Data packages. In
2856 case of recognized data packets which have already been received and processed by
2857 the TOE, these data packets are blocked by the packet monitor (**FPT_RPL.1**).

2858 Concerning the service layers, the TOE detects replay attacks that can occur during
2859 authentication processes against the TOE or for example receiving data from one of the
2860 involved communication networks. This is for instance achieved through the correct in-
2861 terpretation of the strictly increasing ordering numbers for messages from the meters (in
2862 case that a TLS-secured communication channel is not used), through the enforcement
2863 of an appropriate time slot of execution for successfully authenticated wake-up calls, and
2864 of course through the use of the internal means of the TLS protocol according to
2865 [RFC 5246] (**FPT_RPL.1**).

2866 The deposition of Meter Data is performed in a way that these Meter Data are associated
2867 with a permission profile. This means that all of the operations and actions that can be
2868 taken with these data as described afterwards (e.g. sending via WAN to an Authenti-
2869 cated External Entity) depend on the permissions which are associated with the

2870 Meter Data. For metrological purposes, the Meter Data's security attribute - if applicable
2871 - will be persisted associated with its corresponding Meter Data by the TOE. All user
2872 associated data stored by the TOE are protected by an AES-128-CMAC value. Before
2873 accessing these data, the TOE verifies the CMAC value that has been applied to the
2874 user data and detects integrity errors on any data and especially on user associated
2875 Meter Data in a reliable manner (**FDP_SDI.2**).

2876 Closely linked with the deposition of the Meter Data is the assignment of an unambigu-
2877 ous and reliable timestamp on these data. The reliability grounds on the regular use of
2878 an external time source offering a sufficient exactness (**FPT_STM.1**) which is used to
2879 synchronize the operating system of the TOE. A maximum deviation of 3% of the meas-
2880 uring period is allowed to be in conformance with [PP_GW]. The data set (Meter Data
2881 and tariff data) is associated with the timestamp in an inseparably manner because each
2882 Meter Data entry in the database includes the corresponding time stamp and the data-
2883 base is cryptographically protected through the encrypted file system. For details about
2884 database encryption please see page 150).

2885 For transmission of consumption data (tariffed Meter Data) or status data into the WAN,
2886 the TOE ensures that the data are encrypted and digitally signed (**FCO_NRO.2**,
2887 **FCS_CKM.1/CMS**, **FCS_COP.1/CMS**, **FCS_COP.1/HASH**, **FCS_COP.1/MEM**). In case
2888 of a successful transmission of consumption data into the WAN, beside the transmitted
2889 data the data's signature applied by the TOE is logged in the Consumer-Log for the
2890 respective Consumer at IF_GW_CON thus providing the possibility not only for the re-
2891 cipient to verify the evidence of origin for the transmitted data but to the Consumer at
2892 IF_GW_CON, too (**FCO_NRO.2**). The encryption is performed with the hybrid encryption
2893 as specified in [TR-03109-1-I] in combination with [TR-03116-3]. The public key of the
2894 external entity, the data have to be encrypted for, is known by the TOE through the
2895 authentication data configured by the Gateway Administrator and its assigned identity.
2896 This public key is assumed by the TOE to be valid because the TOE does not verify the
2897 revocation status of certificates. The public key used for the encryption of the derived
2898 symmetric key used for transmission of consumption data is different from the public key
2899 in the TLS certificate of the external entity used for the TLS secured communication
2900 channel. The derivation of the hybrid key used for transmission of consumption data is
2901 done according to [TR-03116-3, chapter 8].

2902 The TOE does also foresee the case that the data is encrypted for an external entity that
2903 is not directly assigned to the external entity holding the active communication channel.
2904 The electronic signature is created through the utilization of the Security Module whereas

2905 the TOE is responsible for the computation of the hash value for the data to be signed.
2906 Therefore, the TOE utilizes the SHA-256 or SHA-384 hash algorithm. The SHA-512 hash
2907 algorithm is available in the TOE but not yet used (**FCS_COP.1/HASH**). The data to be
2908 sent to the external entity are prepared on basis of the tariffed meter data. The data to
2909 be transmitted are removed through deallocation of the resources after the (successful
2910 or unsuccessful) transmission attempt so that afterwards no previous information will be
2911 available (**FDP_RIP.2**). The created temporary session keys which have been used for
2912 encryption of the data are also deleted by the already described zeroisation mechanism
2913 as soon they are no longer needed (**FCS_CKM.4**).

2914 The time interval for transmission of the data is set for a daily transmission, and can be
2915 additionally configured by the Gateway Administrator. The TOE sends randomly gener-
2916 ated messages into the WAN, so that through this the analysis of frequency, load, size
2917 or the absence of external communication is concealed (**FPR_CON.1**). Data that are not
2918 relevant for accounting are aliased for transmission so that no personally identifiable
2919 information (PII) can be obtained by an analysis of not billing-relevant information sent
2920 to parties in the WAN. Therefore, the TOE utilizes the alias as defined by the Gateway
2921 Administrator in the Processing Profile for the Meter identity to external parties in the
2922 WAN. Thereby, the TOE determines the alias for a user and verifies that it conforms to
2923 the alias given in the Processing Profile (**FPR_PSE.1**).

2924

2925 **7.3SF.3: Administration, Configuration and SW Update**

2926 The TOE includes functionality that allows its administration and configuration as well as
2927 updating the TOE's complete firmware ("firmware updates") or only the software appli-
2928 cation including the service layer ("software updates"). This functionality is only provided
2929 for the authenticated Gateway Administrator (**FMT_MOF.1**, **FMT_MSA.1/AC**,
2930 **FMT_MSA.1/FW**, **FMT_MSA.1/MTR**).

2931 The following operations can be performed by the successfully authenticated Gateway
2932 Administrator:

- 2933 a) Definition and deployment of Processing Profiles including user administration,
2934 rights management and setting configuration parameters of the TOE
- 2935 b) Deployment of tariff information
- 2936 c) Deployment and installation of software/firmware updates

2937 A complete overview of the possible management functions is given in Table 14 and
2938 Table 15 (**FMT_SMF.1**). Beside the possibility for a successfully authenticated Service
2939 Technician to view the system log via interface IF_GW_SRV, administrative or configu-
2940 ration measures on the TOE can only be taken by the successfully authenticated Gate-
2941 way Administrator.

2942 In order to perform these measures, the TOE has to establish a TLS secured channel
2943 to the Gateway Administrator and must authenticate the Gateway Administrator suc-
2944 cessfully. There are two possibilities:

- 2945 a) The TOE independently contacts the Gateway Administrator at a certain time
2946 specified in advance by the Gateway Administrator.
- 2947 b) Through a message sent to the wake-up service, the TOE is requested to con-
2948 tact the Gateway Administrator.

2949 In the second case, the wake-up data packet is received by the TOE from the WAN and
2950 checked by the TOE for structural correctness according to [TR-03109-1]. Afterwards,
2951 the TOE verifies the correctness of the electronic signature applied to the wake-up mes-
2952 sage data packet using the certificate of the Gateway Administrator stored in the TSF
2953 data. Afterwards, a TLS connection to the Gateway Administrator is established by the
2954 TOE and the above mentioned operations can be performed.

2955 Software/firmware updates always have to be signed by the TOE manufacturer.

2956 Software/firmware updates can be of different content:

- 2957 a) The whole boot image of the TOE is changed.
- 2958 b) Only individual components of the TOE are changed. These components can
2959 be the boot loader plus the static kernel or the SMGW application.

2960 The update packet is realized in form of an archive file enveloped into a CMS signature
2961 container according to [RFC 5652]. The electronic signature of the update packet is cre-
2962 ated using signature keys from the TOE manufacturer. The verification of this signature
2963 is performed by the TOE using the TOE's Security Module using the trust anchor of the
2964 TOE manufacturer. If the signature of the transferred data could not be successfully
2965 verified by the TOE or if the version number of the new firmware is not higher than the
2966 version number of the installed firmware, the received data is rejected by the TOE and
2967 not used for further processing. Any administrator action is entered in the System Log of
2968 the TOE. Additionally, an authorised Consumer can interact with the TOE via the

2969 interface IF_GW_CON to get the version number and the current time displayed
2970 (**FMT_MOF.1**).

2971 The signature of the update packet is immediately verified after receipt. After successful
2972 verification of the update packet the update process is immediately performed. In each
2973 case, the Gateway Administrator gets notified by the TOE and an entry in the TOE's
2974 system log will be written.

2975 All parameters that can be changed by the Gateway Administrator are preset with re-
2976 strictive values by the TOE. No role can specify alternative initial values to override these
2977 restrictive default values (**FMT_MSA.3/AC**, **FMT_MSA.3/FW**, **FMT_MSA.3/MTR**).

2978 This mechanism is supported by the TOE-internal resource monitor that internally mon-
2979 itors existing connections, assigned roles and operations allowed at a specific time.

2980

2981 **7.4 SF.4: Displaying Consumption Data**

2982 The TOE offers the possibility of displaying consumption data to authenticated Consum-
2983 ers at interface IF_GW_CON. Therefore, the TOE contains a web server that implements
2984 TLS-based communication with mutual authentication (**FTP_ITC.1/USR**). If the Con-
2985 sumer requests a password-based authentication from the GWA according to [TR-
2986 03109-1] and the GWA activates this authentication method for this Consumer, the TOE
2987 uses TLS authentication with server-side authentication and HTTP digest access au-
2988 thentication according to [RFC 7616]. In both cases, the requirement **FCO_NRO.2** is
2989 fulfilled through the use of TLS-based communication and through encryption and digital
2990 signature of the (tariffed) Meter Data to be displayed using **FCS_COP.1/HASH**.

2991 To additionally display consumption data, a connection at interface IF_GW_CON must
2992 be established and the role "(authorised) Consumer" is assigned to the user with his
2993 used display unit by the TOE. Different Consumer can use different display units. The
2994 amount of allowed connection attempts at IF_GW_CON is set to 5. In case the amount
2995 of allowed connection attempts is reached, the TOE blocks IF_GW_CON (**FIA_AFL.1**).
2996 The display unit has to technically support the applied authentication mechanism and
2997 the HTTP protocol version 1.1 according to [RFC 2616] as communication protocol. Data
2998 is provided as HTML data stream and transferred to the display unit. In this case, further
2999 processing of the transmitted data stream is carried out by the display unit.

3000 According to [TR-03109-1], the TOE exclusively transfers Consumer specific consump-
3001 tion data to the display unit. The Consumer can be identified in a clear and unambiguous

3002 manner due to the applied authentication mechanism. Moreover, the TOE ensures that
3003 exclusively the data actually assigned to the Consumer is provided at the display unit
3004 via IF_GW_CON (**FIA_USB.1**).

3005

3006 **7.5 SF.5: Audit and Logging**

3007 The TOE generates audit data for all actions assigned in the System-Log
3008 (**FAU_GEN.1/SYS**), the Consumer-Log (**FAU_GEN.1/CON**), and the Calibration-Log
3009 (**FAU_GEN.1/CAL**) as well. On the one hand, this applies to the values measured by
3010 the Meter (Consumer-Log) and on the other hand to system data (System-Log) used by
3011 the Gateway Administrator of the TOE in order to check the TOE's current functional
3012 status. In addition, metrological entries are created in the Calibration-Log. The TOE thus
3013 distinguishes between the following log classes:

- 3014 a) System-Log
- 3015 b) Consumer-Log
- 3016 c) Calibration-Log

3017 The TOE audits and logs all security functions that are used. Thereby, the TOE compo-
3018 nent accomplishing this security audit functionality includes the necessary rules moni-
3019 toring these audited events and through this indicating a potential violation of the en-
3020 forcement of the TOE security functionality (e. g. in case of an integrity violation, replay
3021 attack or an authentication failure). If such a security breach is detected, it is shown as
3022 such in the log entry (**FAU_SAA.1/SYS**).

3023 The System-Log can only be read by the authorized Gateway Administrator via interface
3024 IF_GW_WAN or by an authorized Service Technician via interface IF_GW_SRV
3025 (**FAU_SAR.1/SYS**). Potential security breaches are separately indicated and identified
3026 as such in the System-Log and the GWA gets informed about this potential security
3027 breach (**FAU_ARP.1/SYS**, **FDP_SDI.2**). Data of the Consumer-Log can exclusively be
3028 viewed by authenticated Consumers via interface IF_GW_CON designed to display con-
3029 sumption data (**FAU_SAR.1/CON**). The data included in the Calibration-Log can only be
3030 read by the authenticated Gateway Administrator via interface IF_GW_WAN
3031 (**FAU_SAR.1/CAL**).

3032 If possible, each log entry is assigned to an identity that is known to the TOE. For audit
3033 events resulting from actions of identified users resp. roles, the TOE associates the

3034 generated log information to the identified users while generating the audit information
3035 (**FAU_GEN.2**).

3036 Generated audit and log data are stored in a cryptographically secured storage. For this
3037 purpose, a file-based SQL database system is used securing its' data using an AES-
3038 XTS-128 encrypted file system (AES in XTS mode with 128-bit keys) according to
3039 [FIPS Pub. 197] and [NIST 800-38E]. This is achieved by using device-specific AES
3040 keys so that the secure environment can only be accessed with the associated symmet-
3041 ric key available. Using an appropriately limited access of this symmetric, the TOE im-
3042 plements the necessary rules so that it can be ensured that unauthorised modification
3043 or deletion is prohibited (**FAU_STG.2**).

3044 Audit and log data are stored in separate locations: One location is used to store Con-
3045 sumer-specific log data (Consumer-Log) whereas device status data and metrological
3046 data are stored in a separate location: status data are stored in the System-Log and
3047 metrological data are stored in the Calibration-Log. Each of these logs is located in phys-
3048 ically separate databases secured by different cryptographic keys. In case of several
3049 external meters, a separate database is created for each Meter to store the respective
3050 consumption and log data (**FAU_GEN.2**).

3051 If the audit trail of the System-Log or the Consumer-Log is full (so that no further data
3052 can be added), the oldest entries in the audit trail are overwritten (**FAU_STG.2**,
3053 **FAU_STG.4/SYS**, **FAU_STG.4/CON**). If the Consumer-Log's oldest audit record must
3054 be kept because the period of billing verification (of usually 15 months) has not been
3055 reached, the TOE's metrological activity is paused until the oldest audit record gets
3056 deletable. Thereafter, the TOE's metrological activity is started again through an internal
3057 timer. Moreover, the mechanism for storing log entries is designed in a way that these
3058 entries are cryptographically protected against unauthorized deletion. This is especially
3059 achieved by assigning cryptographic keys to each of the individual databases for the
3060 System-Log, Consumer-Log and Calibration-Log.

3061 If the Calibration-Log cannot store any further data, the operation of the TOE is stopped
3062 through the termination of its metering services and the TOE informs the Gateway Ad-
3063 ministrator by creating an entry in the System-Log, so that additional measures can be
3064 taken by the Gateway Administrator. Calibration-Log entries are never overwritten by
3065 the TOE (**FAU_STG.2**, **FAU_STG.4/CAL**, **FMT_MOF.1**).

3066 The TOE anonymizes the data in a way that no conclusions about a specific person or
3067 user can be drawn from the log or recorded not billing relevant data. Stored consumption

3068 data are exclusively intended for accounting with the energy supplier. The data stored
3069 in the System-Log are used for analysis purposes concerning necessary technical anal-
3070 yses and possible security-related information.

3071 **7.6 SF.6: TOE Integrity Protection**

3072 The TOE makes physical tampering detectable through the TOE's sealed packaging of
3073 the device. So if an attacker opens the case, this can be physically noticed, e. g. by the
3074 Service Technician (**FPT_PHP.1**).

3075 The TOE provides a secure boot mechanism. Beginning from the AES-128-encrypted
3076 bootloader protected by a digital signature applied by the TOE manufacturer, each sub-
3077 sequent step during the boot process is based on the previous step establishing a con-
3078 tinuous forward-concatenation of cryptographical verification procedures. Thus, it is en-
3079 sured that each part of the firmware, that means the operating system, the service layers
3080 and the software application in general, is tested by the TOE during initial startup.
3081 Thereby, a test of the TSF data being part of the software application is included. During
3082 this complete self-test, it is checked that the electronic system of the physical device,
3083 and all firmware components of the TOE are in authentic condition. This complete self-
3084 test can also be run at the request of the successfully authenticated Gateway Adminis-
3085 trator via interface IF_GW_WAN or at the request of the successfully authenticated Ser-
3086 vice Technician via interface IF_GW_SRV. At the request of the successfully authenti-
3087 cated Consumer via interface IF_GW_CON, the TOE will only test the integrity of the
3088 Smart Metering software application including the service layers (without the operating
3089 system) and the completeness of the TSF data stored in the TOE's database. Addition-
3090 ally, the TOE itself runs a complete self-test periodically at least once a month during
3091 normal operation. The integrity of TSF data stored in the TOE's database is always
3092 tested during read access of that part of TSF data (**FPT_TST.1**). **FPT_RPL.1** is fulfilled
3093 by the use of the TLS protocol respectively the integration of transmission counters ac-
3094 cording to [TR-03116-3, chap. 7.3], and through the enforcement of an appropriate time
3095 slot of execution for successfully authenticated wake-up calls.

3096 If an integrity violation of the TOE's hardware or firmware is detected or if the deviation
3097 between local system time of the TOE and the reliable external time source is too large,
3098 further use of the TOE for the purpose of gathering Meter Data is not possible. Also in
3099 this case, the TOE signals the incorrect status via a suitable signal output on the case

3100 of the device, and the further use of the TOE for the purpose of gathering Meter Data is
 3101 not allowed (**FPT_FLS.1**).

3102 Basically, if an integrity violation is detected, the TOE will create an entry in the System
 3103 Log to document this status for the authorised Gateway Administrator on interface
 3104 IF_GW_WAN resp. for the authorised Service Technician on interface IF_GW_SRV, and
 3105 will inform the Gateway Administrator on this incident (**FAU_ARP.1/SYS,**
 3106 **FAU_GEN.1/SYS, FAU_SAR.1/SYS, FPT_TST.1**).

3107 **7.7 TSS Rationale**

3108 The following table shows the correspondence analysis for the described TOE security
 3109 functionalities and the security functional requirements.

	SF.1	SF.2	SF.3	SF.4	SF.5	SF.6
FAU_ARP.1/SYS					X	(X)
FAU_GEN.1/SYS					X	(X)
FAU_SAA.1/SYS					X	
FAU_SAR.1/SYS					X	(X)
FAU_STG.4/SYS					X	
FAU_GEN.1/CON					X	
FAU_SAR.1/CON					X	
FAU_STG.4/CON					X	
FAU_GEN.1/CAL					X	
FAU_SAR.1/CAL					X	
FAU_STG.4/CAL					X	
FAU_GEN.2					X	

	SF.1	SF.2	SF.3	SF.4	SF.5	SF.6
FAU_STG.2					X	
FCO_NRO.2		X		X		
FCS_CKM.1/TLS	X					
FCS_COP.1/TLS	X					
FCS_CKM.1/CMS		X				
FCS_COP.1/CMS		X				
FCS_CKM.1/MTR	X	X				
FCS_COP.1/MTR	X	X				
FCS_CKM.4	X	X				
FCS_COP.1/HASH		X				
FCS_COP.1/MEM		X				
FDP_ACC.2	X					
FDP_ACF.1	X					
FDP_IFC.2/FW	X					
FDP_IFF.1/FW	X					
FDP_IFC.2/MTR	X					
FDP_IFF.1/MTR	X					
FDP_RIP.2	X	X				
FDP_SDI.2		X			X	

	SF.1	SF.2	SF.3	SF.4	SF.5	SF.6
FIA_ATD.1	X					
FIA_AFL.1				X		
FIA_UAU.2	X					
FIA_UAU.5	X					
FIA_UAU.6	X					
FIA_UID.2	X					
FIA_USB.1	X			X		
FMT_MOF.1			X		X	
FMT_SMF.1			X			
FMT_SMR.1	X					
FMT_MSA.1/AC			X			
FMT_MSA.3/AC			X			
FMT_MSA.1/FW			X			
FMT_MSA.3/FW			X			
FMT_MSA.1/MTR			X			
FMT_MSA.3/MTR			X			
FPR_CON.1		X				
FPR_PSE.1		X				
FPT_FLS.1						X

	SF.1	SF.2	SF.3	SF.4	SF.5	SF.6
FPT_RPL.1	X	X				X
FPT_STM.1		X				
FPT_TST.1						X
FPT_PHP.1						X
FTP_ITC.1/WAN	X					
FTP_ITC.1/MTR	X					
FTP_ITC.1/USR	X			X		

3110 **Table 19: Rationale for the SFR and the TOE Security Functionalities** ²²⁴

²²⁴ Please note that SFRs marked with “(X)” only have supporting effect on the fulfilment of the TSF.

3111 8 List of Tables

3112	TABLE 1: SMART METER GATEWAY PRODUCT CLASSIFICATIONS.....	10
3113	TABLE 2: COMMUNICATION FLOWS BETWEEN DEVICES IN DIFFERENT NETWORKS	23
3114	TABLE 3: MANDATORY TOE EXTERNAL INTERFACES.....	28
3115	TABLE 4: CRYPTOGRAPHIC SUPPORT OF THE TOE AND ITS SECURITY MODULE	29
3116	TABLE 5: ROLES USED IN THE SECURITY TARGET	34
3117	TABLE 6: ASSETS (USER DATA).....	36
3118	TABLE 7: ASSETS (TSF DATA)	37
3119	TABLE 8: RATIONALE FOR SECURITY OBJECTIVES	53
3120	TABLE 9: LIST OF SECURITY FUNCTIONAL REQUIREMENTS	64
3121	TABLE 10: OVERVIEW OVER AUDIT PROCESSES	66
3122	TABLE 11: EVENTS FOR CONSUMER LOG	71
3123	TABLE 12: CONTENT OF CALIBRATION LOG	76
3124	TABLE 13: RESTRICTIONS ON MANAGEMENT FUNCTIONS.....	105
3125	TABLE 14: SFR RELATED MANAGEMENT FUNCTIONALITIES	110
3126	TABLE 15: GATEWAY SPECIFIC MANAGEMENT FUNCTIONALITIES	111
3127	TABLE 16: ASSURANCE REQUIREMENTS.....	122
3128	TABLE 17: FULFILMENT OF SECURITY OBJECTIVES	126
3129	TABLE 18: SFR DEPENDENCIES	136
3130	TABLE 19: RATIONALE FOR THE SFR AND THE TOE SECURITY FUNCTIONALITIES	155
3131		

3132 **9 List of Figures**

3133 FIGURE 1: THE TOE AND ITS DIRECT ENVIRONMENT 12
3134 FIGURE 2: THE LOGICAL INTERFACES OF THE TOE 14
3135 FIGURE 3: THE PRODUCT WITH ITS TOE AND NON-TOE PARTS 16
3136 FIGURE 4: THE TOE'S PROTOCOL STACK..... 18
3137 FIGURE 5: CRYPTOGRAPHIC INFORMATION FLOW FOR DISTRIBUTED METERS AND GATEWAY
3138 31
3139

3140 **10 Appendix**3141 **10.1 Mapping from English to German terms**

English term	German term
billing-relevant	abrechnungsrelevant
CLS, Controllable Local System	dezentral steuerbare Verbraucher- oder Erzeugersysteme
Consumer	Anschlussnutzer; Letztverbraucher (im verbrauchenden Sinne); u.U. auch Einspeiser
Consumption Data	Verbrauchsdaten
Gateway	Kommunikationseinheit
Grid	Netz (für Strom/Gas/Wasser)
Grid Status Data	Zustandsdaten des Versorgungsnetzes
LAN, Local Area Network	Lokales Kommunikationsnetz
LMN, Local Metrological Network	Lokales Messeinrichtungsnetz
Meter	Messeinrichtung (Teil eines Messsystems)
Processing Profiles	Konfigurationsprofile
Security Module	Sicherheitsmodul (z.B. eine Smart Card)
Service Provider	Diensteanbieter
Smart Meter, Smart Metering System ²²⁵	Intelligente, in ein Kommunikationsnetz eingebundene, elektronische Messeinrichtung (Messsystem)
TOE	EVG (E valuierungs g egenstand)

²²⁵ Please note that the terms "Smart Meter" and "Smart Metering System" are used synonymously within this document.

WAN, Wide Area Network	Weitverkehrsnetz (für Kommunikation)
------------------------	--------------------------------------

3142

3143 **10.2 Glossary**

Term	Description
Authenticity	property that an entity is what it claims to be (according to [SD_6])
Block Tariff	Tariff in which the charge is based on a series of different energy/volume rates applied to successive usage blocks of given size and supplied during a specified period. (according to [CEN])
BPL	<i>Broadband Over Power Lines</i> , a method of power line communication
CA	Certification Authority, an entity that issues digital certificates. CLS config
CDMA	<i>Code Division Multiple Access</i>
CLS config (secondary asset)	See chapter 3.2
CMS	Cryptographic Message Syntax
Confidentiality	the property that information is not made available or disclosed to unauthorised individuals, entities, or processes (according to [SD_6])
Consumer	End user of electricity, gas, water or heat (according to [CEN]). See chapter 3.1
DCP	<i>Data Co-Processor</i> , security hardware of the CPU
DLMS	Device Language Message Specification
DTBS	Data To Be Signed
EAL	Evaluation Assurance Level

Term	Description
Energy Service Provider	Organisation offering energy related services to the Consumer (according to [CEN])
ETH	Ethernet
external entity	See chapter 3.1
firmware update	See chapter 3.2
Gateway Administrator (GWA)	See chapter 3.1
Gateway config (secondary asset)	See chapter 3.2
Gateway time	See chapter 3.2
G.hn	Gigabit Home Networks
GPRS	<i>General Packet Radio Service</i> , a packet oriented mobile data service
Home Area Network (HAN)	In-house data communication network which interconnects domestic equipment and can be used for energy management purposes (adopted according to [CEN]).
Integrity	property that sensitive data has not been modified or deleted in an unauthorised and undetected manner (according to [SD_6])
IT-System	Computersystem
Local Area Network (LAN)	Data communication network, connecting a limited number of communication devices (Meters and other devices) and covering a moderately sized geographical area within the premises of the consumer. In the context of this ST, the term LAN is used as a hypernym for HAN and LMN (according to [CEN], adopted).

Term	Description
Local attacker	See chapter 3.4
LTE	<i>Long Term Evolution</i> mobile broadband communication standard
Meter config (secondary asset)	See chapter 3.2
Local Metrological Network (LMN)	In-house data communication network which interconnects metrological equipment.
Meter Data	See chapter 3.2
Meter Data Aggregator (MDA)	Entity which offers services to aggregate metering data by grid supply point on a contractual basis. NOTE: The contract is with a supplier. The aggregate is of all that supplier's consumers connected to that particular grid supply point. The aggregate may include both metered data and data estimated by reference to standard load profiles (adopted from [CEN])
Meter Data Collector (MDC)	Entity which offers services on a contractual basis to collect metering data related to a supply and provide it in an agreed format to a data aggregator (that can also be the DNO). NOTE: The contract is with a supplier or a pool. The collection may be carried out by manual or automatic means. ([CEN])
Meter Data Management System (MDMS)	System for validating, storing, processing and analysing large quantities of Meter Data. ([CEN])
Metrological Area Network	In-house data communication network which interconnects metrological equipment (i.e. Meters)
OEM	Original Equipment Manufacturer
OMS	Open Metering System

Term	Description
OCOTP	On-Chip One-time-programmable
Personally Identifiable Information (PII)	Personally Identifiable Information refers to information that can be used to uniquely identify, contact, or locate a single person or can be used with other sources to uniquely identify a single individual.
RJ45	registered jack #45; a standardized physical network interface
RMII	Reduced Media Independent Interface
RTC	Real Time Clock
Service Technician	Human entity being responsible for diagnostic purposes.
Smart Metering System	The Smart Metering System consists of a Smart Meter Gateway and connected to one or more meters. In addition, CLS (i.e. generation plants) may be connected with the gateway for dedicated communication purposes.
SML	Smart Message Language
Tariff	Price structure (normally comprising a set of one or more rates of charge) applied to the consumption or production of a product or service provided to a Consumer (according to [CEN]).
TCP/IP	Transmission Control Protocol / Internet Protocol
TLS	Transport Layer Security protocol according to [RFC 5246]
TOE	Target of Evaluation - set of software, firmware and/or hardware possibly accompanied by guidance
TSF	TOE security functionality
UART	Universal Asynchronous Receiver Transmitter

Term	Description
WAN attacker	See chapter 3.4
WLAN	Wireless Local Area Network

3144 11 Literature

- 3145 [CC] Common Criteria for Information Technology Security
3146 Evaluation –
3147 Part 1: Introduction and general model, April 2017, ver-
3148 sion 3.1, Revision 5, CCMB-2017-04-001,
3149 [https://www.commoncriteriapor-](https://www.commoncriteriaportal.org/files/ccfiles/CCPART1V3.1R5.pdf)
3150 [tal.org/files/ccfiles/CCPART1V3.1R5.pdf](https://www.commoncriteriaportal.org/files/ccfiles/CCPART1V3.1R5.pdf)
- 3151 Part 2: Security functional requirements, April 2017, ver-
3152 sion 3.1, Revision 5, CCMB-2017-04-002,
3153 [https://www.commoncriteriapor-](https://www.commoncriteriaportal.org/files/ccfiles/CCPART2V3.1R5.pdf)
3154 [tal.org/files/ccfiles/CCPART2V3.1R5.pdf](https://www.commoncriteriaportal.org/files/ccfiles/CCPART2V3.1R5.pdf)
- 3155 Part 3: Security assurance requirements, April 2017, ver-
3156 sion 3.1, Revision 5, CCMB-2017-04-003,
3157 [https://www.commoncriteriapor-](https://www.commoncriteriaportal.org/files/ccfiles/CCPART3V3.1R5.pdf)
3158 [tal.org/files/ccfiles/CCPART3V3.1R5.pdf](https://www.commoncriteriaportal.org/files/ccfiles/CCPART3V3.1R5.pdf)
- 3159 [CEN] SMART METERS CO-ORDINATION GROUP (SM-CG)
3160 Item 5. M/441 first phase deliverable – Communication –
3161 Annex: Glossary (SMCG/Sec0022/DC)
- 3162 [PP_GW] Protection Profile for the Gateway of a Smart Metering
3163 System (Smart Meter Gateway PP), Schutzprofil für die
3164 Kommunikationseinheit eines intelligenten Messsystems
3165 für Stoff- und Energiemengen, SMGW-PP, v.1.3, Bundes-
3166 amt für Sicherheit in der Informationstechnik, 31.03.2014
- 3167 [SecModPP] Protection Profile for the Security Module of a Smart Me-
3168 ter Gateway (Security Module PP), Schutzprofil für das
3169 Sicherheitsmodul der Kommunikationseinheit eines intelli-
3170 genten Messsystems für Stoff- und Energiemengen,
3171 SecMod-PP, Version 1.0.2, Bundesamt für Sicherheit in
3172 der Informationstechnik, 18.10.2013
- 3173 [SD_6] ISO/IEC JTC 1/SC 27 N7446, Standing Document 6
3174 (SD6): Glossary of IT Security Terminology 2009-04-29,
3175 available at

3176		http://www.teletrust.de/uploads/me-
3177		dia/ISOIEC_JTC1_SC27_IT_Security_Glossary_Tele-
3178		TrusT_Documentation.pdf
3179	[TR-02102]	Technische Richtlinie BSI TR-02102, Kryptographische
3180		Verfahren: Empfehlungen und Schlüssellängen, Bundes-
3181		amt für Sicherheit in der Informationstechnik, Version
3182		2022-01
3183	[TR-03109]	Technische Richtlinie BSI TR-03109, Version 1.1, Bun-
3184		desamt für Sicherheit in der Informationstechnik,
3185		22.09.2021
3186	[TR-03109-1]	Technische Richtlinie BSI TR-03109-1, Anforderungen an
3187		die Interoperabilität der Kommunikationseinheit eines
3188		Messsystems, Version 1.1, Bundesamt für Sicherheit in
3189		der Informationstechnik, 17.09.2021
3190	[TR-03109-1-I]	Technische Richtlinie BSI TR-03109-1 Anlage I, CMS-
3191		Datenformat für die Inhaltsdatenverschlüsselung und -
3192		signatur, Version 1.0.9, Bundesamt für Sicherheit in der
3193		Informationstechnik, 18.03.2013
3194	[TR-03109-1-VI]	Technische Richtlinie BSI TR-03109-1 Anlage VI, Be-
3195		triebsprozesse, Version 1.0, Bundesamt für Sicherheit in
3196		der Informationstechnik, 18.03.2013
3197	[TR-03109-2]	Technische Richtlinie BSI TR-03109-2, Smart Meter Ga-
3198		teway – Anforderungen an die Funktionalität und In-
3199		teroperabilität des Sicherheitsmoduls, Version 1.1, Bun-
3200		desamt für Sicherheit in der Informationstechnik,
3201		15.12.2014
3202	[TR-03109-3]	Technische Richtlinie BSI TR-03109-3, Kryptographische
3203		Vorgaben für die Infrastruktur von intelligenten Messsys-
3204		temen, Version 1.1, Bundesamt für Sicherheit in der Infor-
3205		mationstechnik, 17.04.2014
3206	[TR-03109-4]	Technische Richtlinie BSI TR-03109-4, Smart Metering
3207		PKI - Public Key Infrastruktur für Smart Meter Gateways,

3208		Version 1.2.1, Bundesamt für Sicherheit in der Informationstechnik, 09.08.2017
3209		
3210	[TR-03109-6]	Technische Richtlinie BSI TR-03109-6, Smart Meter Gateway Administration, Version 1.0, Bundesamt für Sicherheit in der Informationstechnik, 26.11.2015
3211		
3212		
3213	[TR-03111]	Technische Richtlinie BSI TR-03111, Elliptic Curve Cryptography (ECC), Version 2.1, 01.06.2018
3214		
3215	[TR-03116-3]	Technische Richtlinie BSI TR-03116-3, Kryptographische Vorgaben für Projekte der Bundesregierung, Teil 3 - Intelligente Messsysteme, Stand 2023, Bundesamt für Sicherheit in der Informationstechnik, 06.12.2022
3216		
3217		
3218		
3219	[AGD_Consumer]	Handbuch für Verbraucher, Smart Meter Gateway, Version 4.12, 15.12.2023, Power Plus Communications AG
3220		
3221	[AGD_Techniker]	Handbuch für Service-Techniker, Smart Meter Gateway, Version 5.8, 01.02.2024, Power Plus Communications AG
3222		
3223		
3224	[AGD_GWA]	Handbuch für Hersteller von Smart-Meter Gateway-Administrations-Software, Smart Meter Gateway, Version 4.15, 26.01.2024, Power Plus Communications AG
3225		
3226		
3227	[AGD_SEC]	Auslieferungs- und Fertigungsprozeduren, Anhang Sichere Auslieferung, Version 1.4, 12.05.2021, Power Plus Communications AG
3228		
3229		
3230	[SMGW_Logging]	Logmeldungen, SMGW Version 1.3 & 2.1 & 2.1.1, Version 3.4, 23.06.2023, Power Plus Communications AG
3231		
3232	[FIPS Pub. 140-2]	NIST, FIPS 140-3, Security Requirements for cryptographic modules, 2019
3233		
3234	[FIPS Pub. 180-4]	NIST, FIPS 180-4, Secure Hash Standard, 2015
3235	[FIPS Pub. 197]	NIST, FIPS 197, Advances Encryption Standard (AES), 2001
3236		
3237	[IEEE 1901]	IEEE Std 1901-2010, IEEE Standard for Broadband over Power Line Networks: Medium Access Control and Physical Layer Specifications, 2010
3238		
3239		

3240	[IEEE 802.3]	IEEE Std 802.3-2008, IEEE Standard for Information
3241		technology, Telecommunications and information ex-
3242		change between systems, Local and metropolitan area
3243		networks, Specific requirements, 2008
3244	[ISO 10116]	ISO/IEC 10116:2006, Information technology -- Security
3245		techniques -- Modes of operation for an n-bit block cipher,
3246		2006
3247	[NIST 800-38A]	NIST Special Publication 800-38A, Recommendation for
3248		Block Cipher Modes of Operation: Methods and Tech-
3249		niques, December 2001, http://nvl-
3250		pubs.nist.gov/nistpubs/Legacy/SP/nistspecialpublica-
3251		tion800-38a.pdf
3252	[NIST 800-38D]	NIST Special Publication 800-38D, Recommendation for
3253		Block Cipher Modes of Operation: Galois/Counter Mode
3254		(GCM) and GMAC, M. Dworkin, November 2007,
3255		http://csrc.nist.gov/publications/nistpubs/800-38D/SP-
3256		800-38D.pdf
3257	[NIST 800-38E]	NIST Special Publication 800-38E, Recommendation for
3258		Block Cipher Modes of Operation: The XTS-AES Mode
3259		for Confidentiality on Storage Devices, M. Dworkin, Janu-
3260		ary, 2010, http://csrc.nist.gov/publications/nistpubs/800-
3261		38E/nist-sp-800-38E.pdf
3262	[RFC 2104]	RFC 2104, HMAC: Keyed-Hashing for Message Authenti-
3263		cation, M. Bellare, R. Canetti und H. Krawczyk, February
3264		1997, http://rfc-editor.org/rfc/rfc2104.txt
3265	[RFC 2616]	RFC 2616, Hypertext Transfer Protocol - HTTP/1.1, R.
3266		Fielding, J. Gettys, J. Mogul, H. Frystyk, P. Masinter, P.
3267		Leach, T. Berners-Lee, June 1999, http://rfc-edi-
3268		tor.org/rfc/rfc2616.txt
3269	[RFC 7616]	RFC 7616, HTTP Digest Access Authentication, R.
3270		Shekh-Yusef, D. Ahrens, S. Bremer, September 2015,
3271		http://rfc-editor.org/rfc/rfc7616.txt

3272	[RFC 3394]	RFC 3394, Schaad, J. and R. Housley, Advanced Encryption Standard (AES) Key Wrap Algorithm, September
3273		
3274		2002, http://rfc-editor.org/rfc/rfc3394.txt
3275	[RFC 3565]	RFC 3565, J. Schaad, Use of the Advanced Encryption
3276		Standard (AES) Encryption Algorithm in Cryptographic
3277		Message Syntax (CMS), July 2003, http://rfc-editor.org/rfc/rfc3565.txt
3278		
3279	[RFC 4493]	IETF RFC 4493, The AES-CMAC Algorithm, J. H. Song, J.
3280		Lee, T. Iwata, June 2006, http://www.rfc-editor.org/rfc/rfc4493.txt
3281		
3282	[RFC 5083]	RFC 5083, R. Housley, Cryptographic Message Syntax
3283		(CMS)
3284		Authenticated-Enveloped-Data Content Type, November
3285		2007, http://www.ietf.org/rfc/rfc5083.txt
3286	[RFC 5084]	RFC 5084, R. Housley, Using AES-CCM and AES-GCM
3287		Authenticated Encryption in the Cryptographic Message
3288		Syntax (CMS), November 2007,
3289		http://www.ietf.org/rfc/rfc5084.txt
3290	[RFC 5114]	RFC 5114, Additional Diffie-Hellman Groups for Use with
3291		IETF Standards, M. Lepinski, S. Kent, January 2008,
3292		http://www.ietf.org/rfc/rfc5114.txt
3293	[RFC 5246]	RFC 5246, T. Dierks, E. Rescorla, The Transport Layer
3294		Security (TLS) Protocol Version 1.2, August 2008,
3295		http://www.ietf.org/rfc/rfc5246.txt
3296	[RFC 5289]	RFC 5289, TLS Elliptic Curve Cipher Suites with SHA-
3297		256/384 and AES Galois Counter Mode (GCM), E.
3298		Rescorla, RTFM, Inc., August 2008,
3299		http://www.ietf.org/rfc/rfc5289.txt
3300	[RFC 5639]	RFC 5639, Elliptic Curve Cryptography (ECC) Brainpool
3301		Standard Curves and Curve Generation, M. Lochter, BSI,
3302		J. Merkle, secunet Security Networks, March 2010,
3303		http://www.ietf.org/rfc/rfc5639.txt

3304	[RFC 5652]	RFC 5652, Cryptographic Message Syntax (CMS), R.
3305		Housley, Vigil Security, September 2009,
3306		http://www.ietf.org/rfc/rfc5652.txt
3307	[EIA RS-485]	EIA Standard RS-485, Electrical Characteristics of Gener-
3308		ators and Receivers for Use in Balanced Multipoint Sys-
3309		tems, ANSI/TIA/EIA-485-A-98, 1983/R2003
3310	[EN 13757-1]	M-Bus DIN EN 13757-1: Kommunikationssysteme für
3311		Zähler und deren Fernablesung Teil 1: Datenaustausch
3312	[EN 13757-3]	M-Bus DIN EN 13757-3, Kommunikationssysteme für
3313		Zähler und deren Fernablesung Teil 3: Spezielle Anwen-
3314		dungsschicht
3315	[EN 13757-4]	M-Bus DIN EN 13757-4, Kommunikationssysteme für
3316		Zähler und deren Fernablesung Teil 4: Zählerauslesung
3317		über Funk, Fernablesung von Zählern im SRD-Band von
3318		868 MHz bis 870 MHz
3319	[IEC-62056-5-3-8]	Electricity metering – Data exchange for meter reading,
3320		tariff and load control – Part 5-3-8: Smart Message Lan-
3321		guage SML, 2012
3322	[IEC-62056-6-1]	IEC-62056-6-1, Datenkommunikation der elektrischen
3323		Energiemessung, Teil 6-1: OBIS Object Identification Sys-
3324		tem, 2017, International Electrotechnical Commission
3325	[IEC-62056-6-2]	IEC-62056-6-2, Datenkommunikation der elektrischen
3326		Energiemessung - DLMS/COSEM, Teil 6-2: COSEM Inter-
3327		face classes, 2017, International Electrotechnical Commis-
3328		sion
3329	[IEC-62056-21]	IEC-62056-21, Direct local data exchange - Mode C, 2011,
3330		International Electrotechnical Commission
3331	[LUKS]	LUKS On-Disk Format Specification Version 1.2.1, Clem-
3332		ens Fruhwirth, October 16th, 2011
3333	[PACE]	The PACE-AA Protocol for Machine Readable Travel Doc-
3334		uments, and its Security, Jens Bender, Ozgur Dagdelen,

3335		Marc Fischlin and Dennis Kügler, http://fc12.ifca.ai/pre-proceedings/paper_49.pdf
3336		
3337	[X9.63]	ANSI X9.63, Public Key Cryptography for the Financial Services Industry: Key Agreement and Key Transport Using Elliptic Curve Cryptography, 2011
3338		
3339		
3340	[G865]	DVGW-Arbeitsblatt G865 Gasabrechnung, 11/2008
3341	[VDE4400]	VDE-AR-N 4400:2011-09, Messwesen Strom, VDE-Anwendungsregel, 01.09.2011
3342		
3343	[DIN 43863-5]	DIN: Herstellerübergreifende Identifikationsnummer für Messeinrichtungen, 2012
3344		
3345	[USB]	Universal Serial Bus Specification, Revision 2.0, April 27, 2000, USB Communications CLASS Specification for Ethernet Devices, http://www.usb.org/developers/docs/usb20_docs/#usb20spec
3346		
3347		
3348		
3349	[ITU G.hn]	G.996x Unified high-speed wireline-based home networking transceivers, 2018
3350		



Power Plus Communications AG

Dudenstraße 6, 68167 Mannheim

Tel. 00 49 621 40165 100 | Fax. 00 49 621 40165 111

info@ppc-ag.de | www.ppc-ag.de